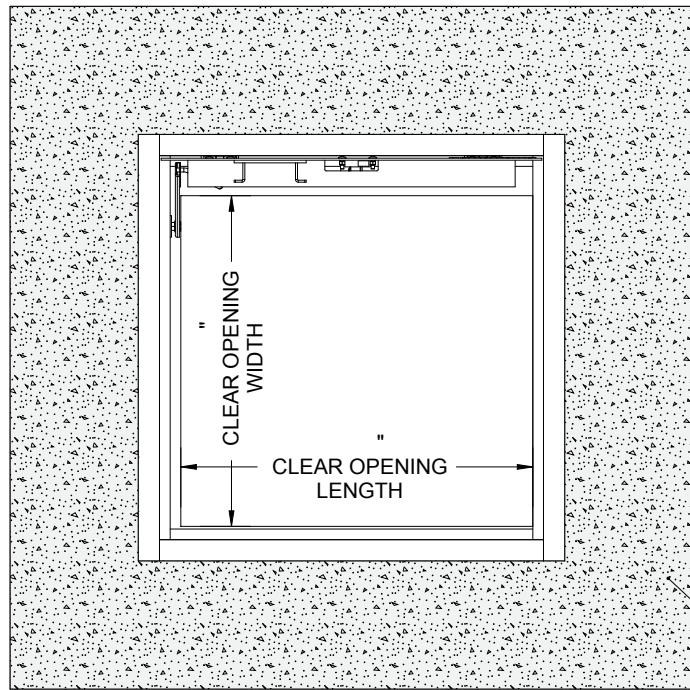


**SPECIFICATIONS:**

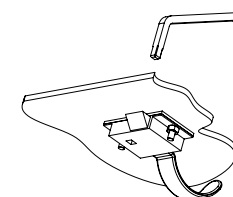
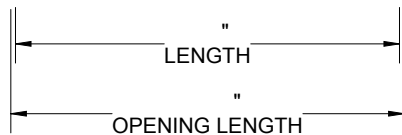
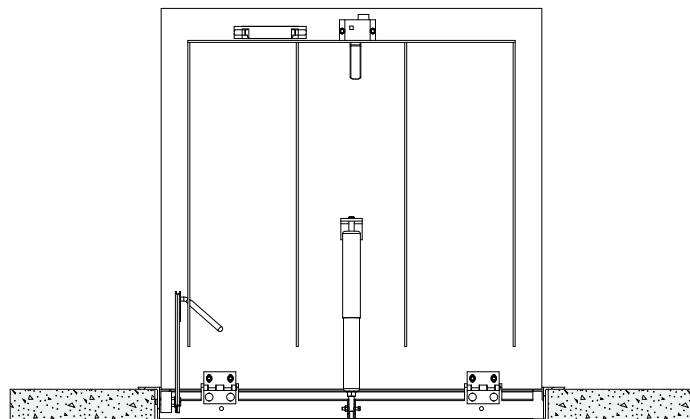
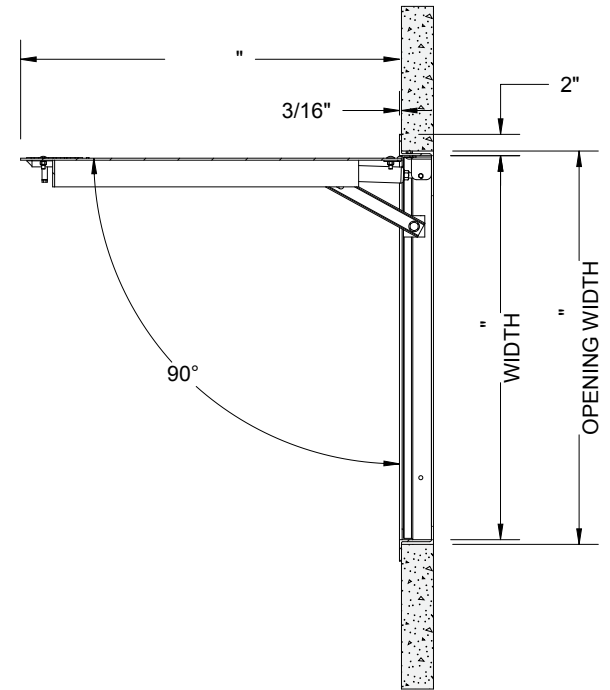
- ① **DOOR:** STEEL, 3/16" DIAMOND PLATE, GRAY PRIMER COAT WITH A LIVE LOAD OF 300 PSF WITH A MAXIMUM DEFLECTION OF L/160
  - ② **FRAME:** STEEL, 3/16" ANGLE, GRAY PRIMER COAT
  - ③ **HINGES:** TYPE 316 STAINLESS STEEL
  - ④ **SLAM LATCH:** TYPE 316 STAINLESS STEEL WITH INSIDE LEVER HANDLE AND OUTSIDE REMOVABLE 5/16" SQUARE L HANDLE
  - ⑤ **COUNTER-BALANCE SPRING:** TYPE 17-7 STAINLESS STEEL SPRING ENCLOSED IN A TYPE 316 STAINLESS STEEL TELESCOPING TUBE
  - ⑥ **HOLD-OPEN ARM:** TYPE 316 STAINLESS STEEL WITH RED VINYL GRIP HANDLE
  - ⑦ **ANCHOR HOLES:** ANCHOR HOLES PROVIDED FOR BOLTING IN ON SITE
  - ⑧ **FLUSH LIFTING HANDLE:** TYPE 316 STAINLESS STEEL
- FLOOR DOOR SIZE:**                      " (WIDTH) x                      " (LENGTH)
- CLEAR UNOBSTRUCTED OPENING:**                      " (WIDTH) x                      " (LENGTH)
- OPENING:**                      " (WIDTH) x                      " (LENGTH)

PROPRIETARY AND CONFIDENTIAL: THE INFORMATION CONTAINED IN THIS DRAWING IS THE SOLE PROPERTY OF NYSTROM. ANY REPRODUCTION IN PART OR AS A WHOLE WITHOUT THE WRITTEN PERMISSION OF NYSTROM IS PROHIBITED. THIS IS A GENERIC SHOP DRAWING AND MAY NOT BE AN ACTUAL REPRESENTATION OF THE FINAL PRODUCT.

PROJECT:					
ARCHITECT:					
CONTRACTOR:					
QTY:					
PART#:		<b>FDEPP    X    SB</b>			
<b>NYSTROM</b> <small>Right to site.™ 9300 73rd Avenue North Brooklyn Park, MN 55428</small>		<b>TITLE:</b> Floor Door, Existing Opening, Sngl Dr, 316 SST Hdw, Steel, Prime Coat, Pedestrian, Bolt-In, Slam Latch Removbl L Hdl			
		NAME	DATE	SIZE	DWG. NO.
DRAWN	JE	04/18/11	A	FDEPP_X_SB	A
RELEASED	DWO	04/18/11	WEIGHT: Varies		SHEET 1 OF 2



CONCRETE



### SLAM LATCH DETAIL

**NYSTROM**

Right to site.<sup>SM</sup>  
9300 73rd Avenue North  
Brooklyn Park, MN 55428

TITLE: Floor Door, Existing Opening,  
Sngl Dr, 316 SST Hdw,  
Steel, Prime Coat, Pedestrian, Bolt-In, Slam Latch  
Removbl L Hdl

	NAME	DATE	SIZE	DWG. NO.	REV
DRAWN	JE	04/18/11	A	FDEPP_X_SB	A
RELEASED	DWO	04/18/11	WEIGHT: Varies		SHEET 2 OF 2

PROPRIETARY AND CONFIDENTIAL: THE INFORMATION CONTAINED IN THIS DRAWING IS THE SOLE PROPERTY OF NYSTROM. ANY REPRODUCTION IN PART OR AS A WHOLE WITHOUT THE WRITTEN PERMISSION OF NYSTROM IS PROHIBITED. THIS IS A GENERIC SHOP DRAWING AND MAY NOT BE AN ACTUAL REPRESENTATION OF THE FINAL PRODUCT.