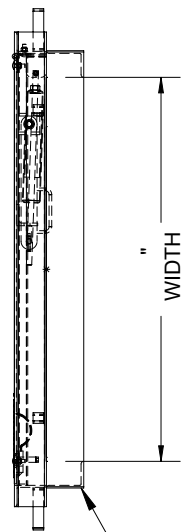
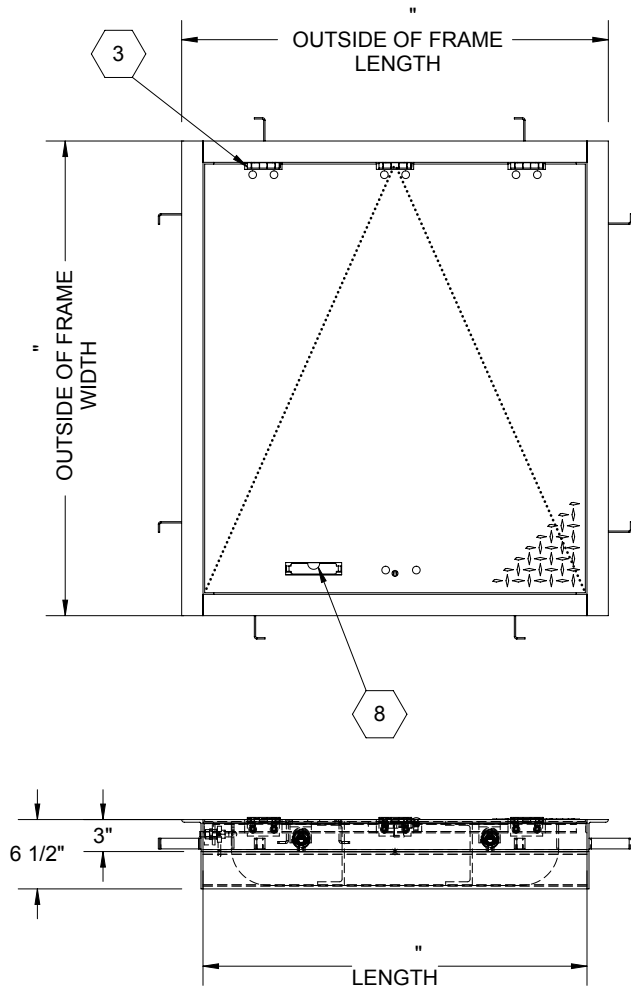
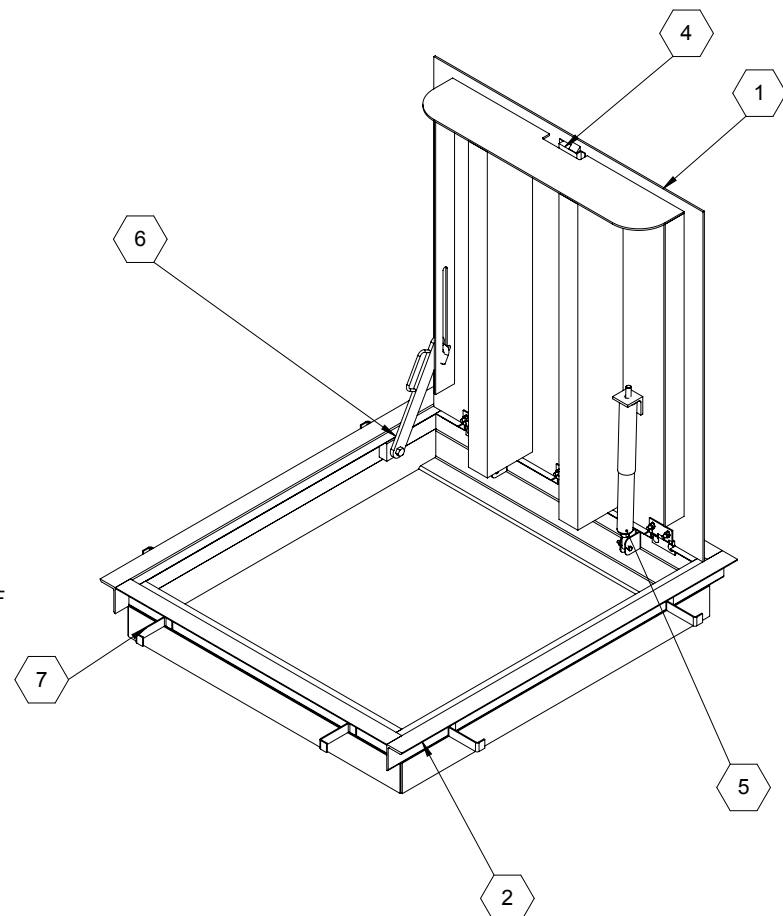


B

B



REFERENCE
H20 CHANNEL
SUPPORT SHELF
SHEET 2



SPECIFICATIONS:

- ① **DOOR:** STEEL, 3/16" DIAMOND PLATE, GRAY PRIMER COAT WITH A H20 LOAD RATING FOR INFREQUENT LOW SPEED TRAFFIC WITH A MAXIMUM DEFLECTION OF L/160
- ② **FRAME:** STEEL, 3/16" ANGLE, GRAY PRIMER COAT
- ③ **HINGES:** TYPE 316 STAINLESS STEEL
- ④ **SLAM LATCH:** TYPE 316 STAINLESS STEEL WITH INSIDE LEVER HANDLE AND OUTSIDE REMOVABLE 5/16" SQUARE L HANDLE
- ⑤ **COUNTER-BALANCE SPRING:** TYPE 17-7 STAINLESS STEEL SPRING ENCLOSED IN A TYPE 316 STAINLESS STEEL TELESCOPING TUBE
- ⑥ **HOLD-OPEN ARM:** TYPE 316 STAINLESS STEEL
- ⑦ **ANCHOR:** 4" CONCRETE ANCHOR STRAPS PROVIDED

⑧ **FLUSH LIFTING HANDLE:** TYPE 316 STAINLESS STEEL

FLOOR DOOR SIZE:
" (WIDTH) x " (LENGTH)

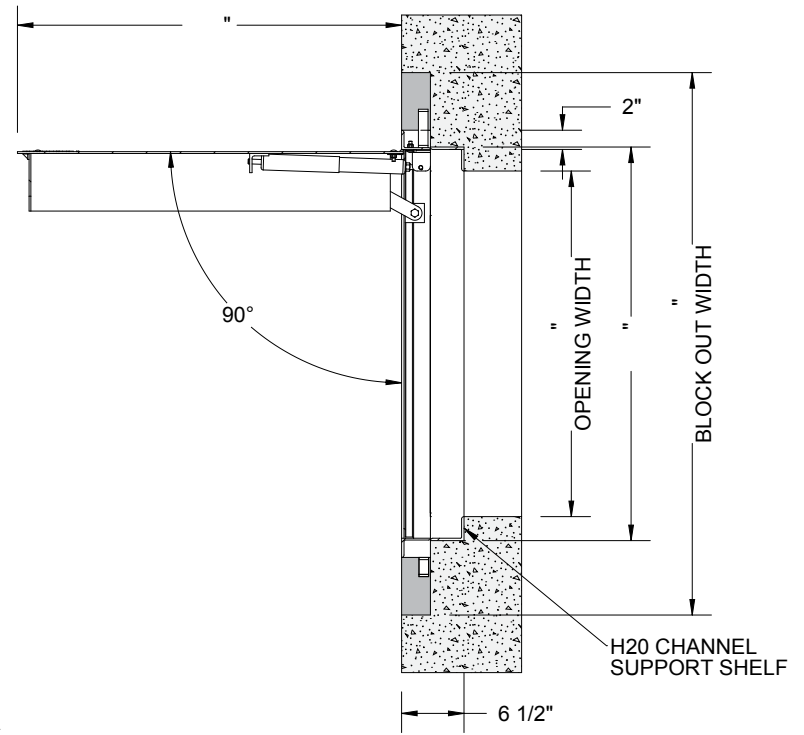
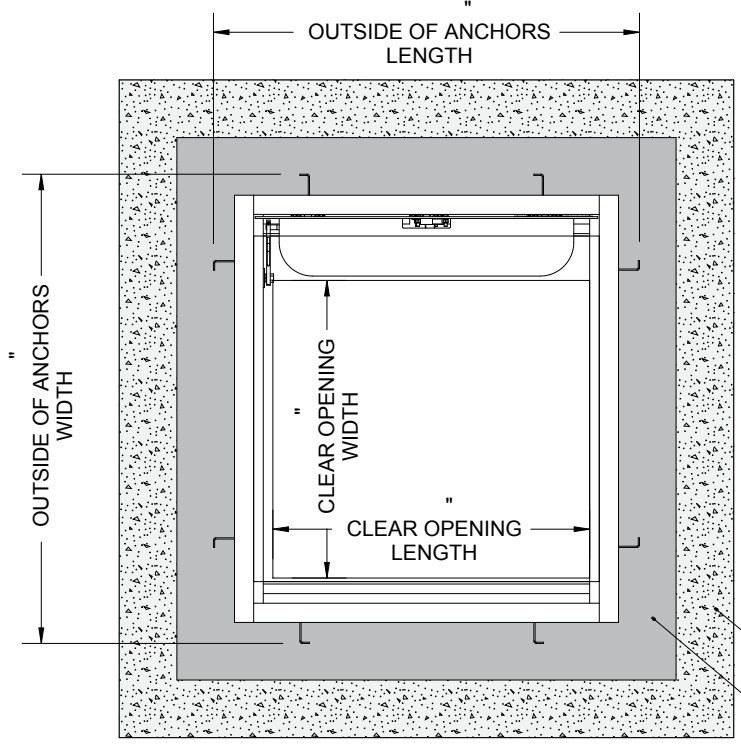
CLEAR UNOBSTRUCTED OPENING:
" (WIDTH) x " (LENGTH)

OPENING:
" (WIDTH) x " (LENGTH)

PROPRIETARY AND CONFIDENTIAL: THE INFORMATION CONTAINED IN THIS DRAWING IS THE SOLE PROPERTY OF NYSTROM. ANY REPRODUCTION IN PART OR AS A WHOLE WITHOUT THE WRITTEN PERMISSION OF NYSTROM IS PROHIBITED. THIS IS A GENERIC SHOP DRAWING AND MAY NOT BE AN ACTUAL REPRESENTATION OF THE FINAL PRODUCT.

A

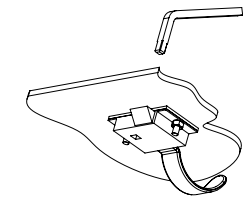
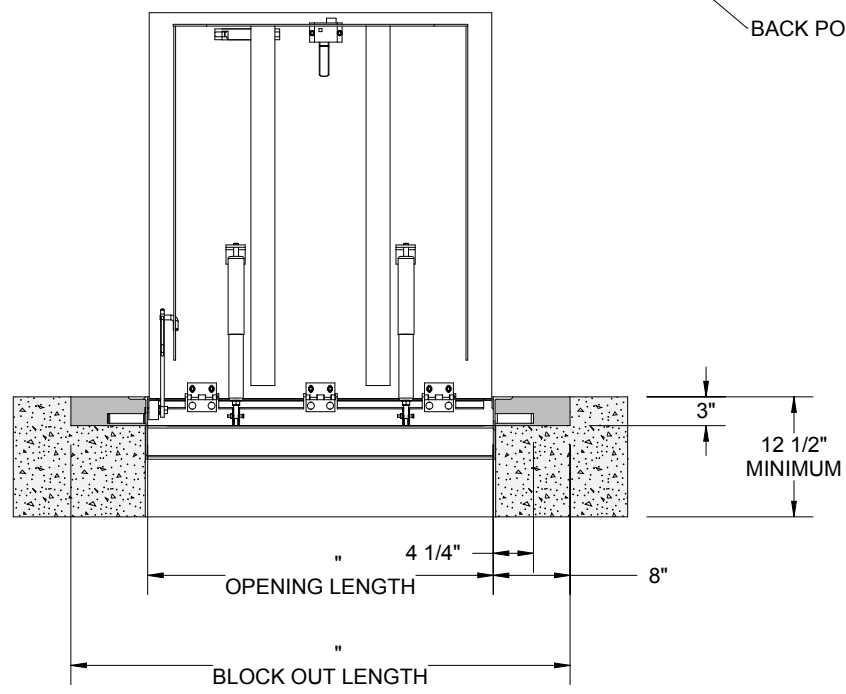
PROJECT:					
ARCHITECT:					
CONTRACTOR:					
QTY:					
PART#:		FDEHP X SAL			
 <small>Right to site.™</small> 9300 73rd Avenue North Brooklyn Park, MN 55428		TITLE: Floor Door, Non-Drainable, Sngl Dr, 316 SST Hdw, Steel, Prime Coat, H20, Cast-In Anchors, Slam Latch Removbl L Hdl			
		NAME	DATE	SIZE	DWG. NO.
DRAWN	JE	04/18/11	A	FDEHP_X_SAL	A
RELEASED	DWO	04/18/11	WEIGHT: Varies		SHEET 1 OF 2



CONCRETE

BACK POUR AREA

H2O CHANNEL
SUPPORT SHELF



SLAM LATCH DETAIL

<p>Right to site.SM 9300 73rd Avenue North Brooklyn Park, MN 55428</p>			<p>TITLE: Floor Door, Existing Opening, Sngl Dr, 316 SST Hdw, Steel, Prime Coat, H2O, Cast-In Anchors, Slam Latch Removbl L Hdl</p>		
NAME	DATE	SIZE	DWG. NO.	REV	
DRAWN JE	04/18/11	A	FDEHP_X_SAL	A	
RELEASED DWO	04/18/11	WEIGHT: Varies		SHEET 2 OF 2	

PROPRIETARY AND CONFIDENTIAL: THE INFORMATION CONTAINED IN THIS DRAWING IS THE SOLE PROPERTY OF NYSTROM. ANY REPRODUCTION IN PART OR AS A WHOLE WITHOUT THE WRITTEN PERMISSION OF NYSTROM IS PROHIBITED. THIS IS A GENERIC SHOP DRAWING AND MAY NOT BE AN ACTUAL REPRESENTATION OF THE FINAL PRODUCT.