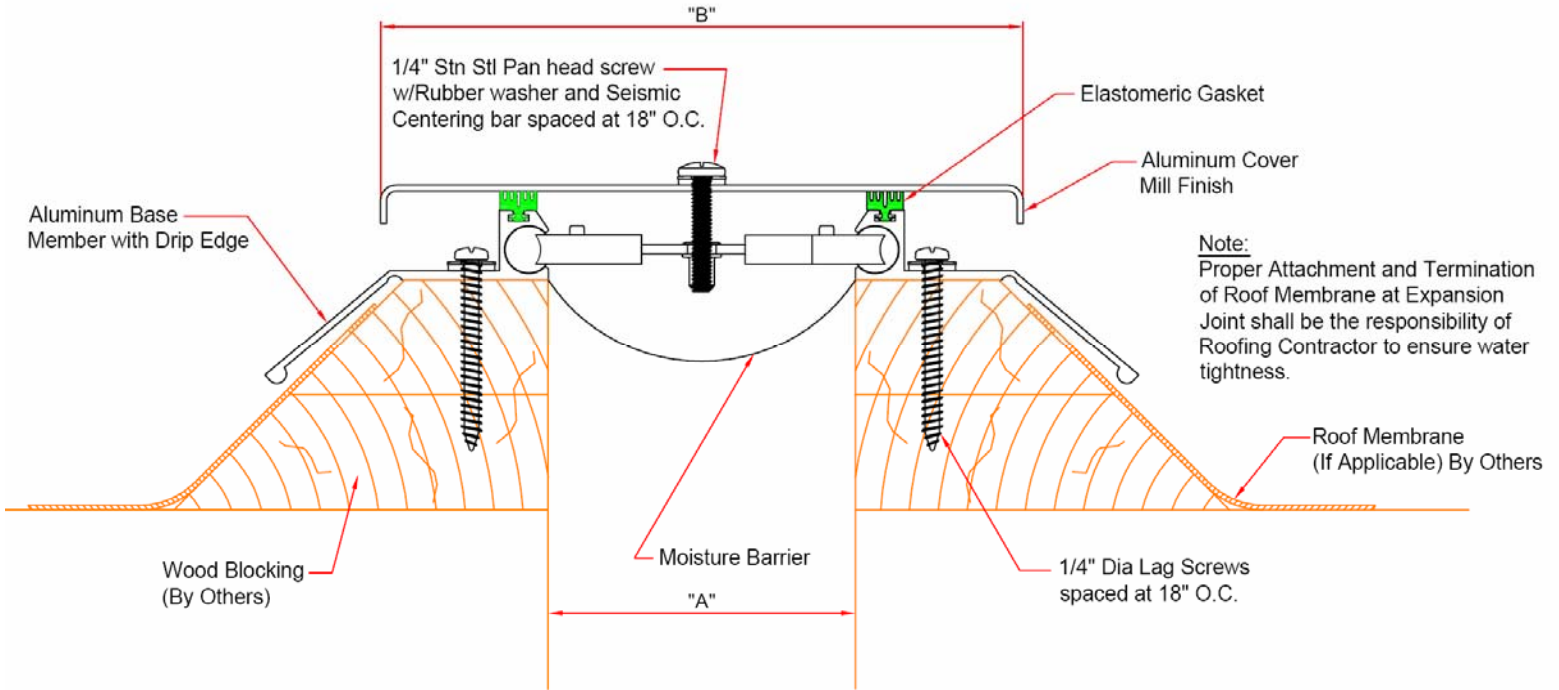


EJ-RJF Series

Expansion joint cover for exterior applications
Roof to Roof condition



() - Denotes Millimeters

DIMENSION CHART					
Model	"A" @ Min.	"A" @ Mid	"A" @ Max.	"B"	Total Movement
EJ-RJF-200	1/4" (6)	2" (51)	3" (76)	6 3/8"	3" (76)
EJ-RJF-400	1/4" (6)	4" (102)	6" (152)	8 3/8"	6" (152)
EJ-RJF-600	1/4" (6)	6" (152)	9" (229)	11 3/8"	9" (229)
EJ-RJF-800	1/4" (6)	8" (203)	12" (305)	14 3/8"	12" (305)
EJ-RJF-1000	1/4" (6)	10" (254)	15" (381)	17"	15" (381)
EJ-RJF-1200	1/4" (6)	12" (305)	18" (457)	19 3/4"	18" (457)
EJ-RJF-1800	1/4" (6)	18" (457)	27" (686)	28 3/4"	27" (686)
EJ-RJF-2400	1/4" (6)	24" (610)	36" (914)	37 3/4"	36" (914)



Right to site.

Call: 800-547-2635 Fax: 800-317-8770
USA or Canada

Web: www.nystrom.com

E-mail: info@nystrom.com

PROJECT: _____

CONTRACTOR: _____

ARCHITECT: _____

INITIALS:

QTY:

DATE:

PART NUMBER: