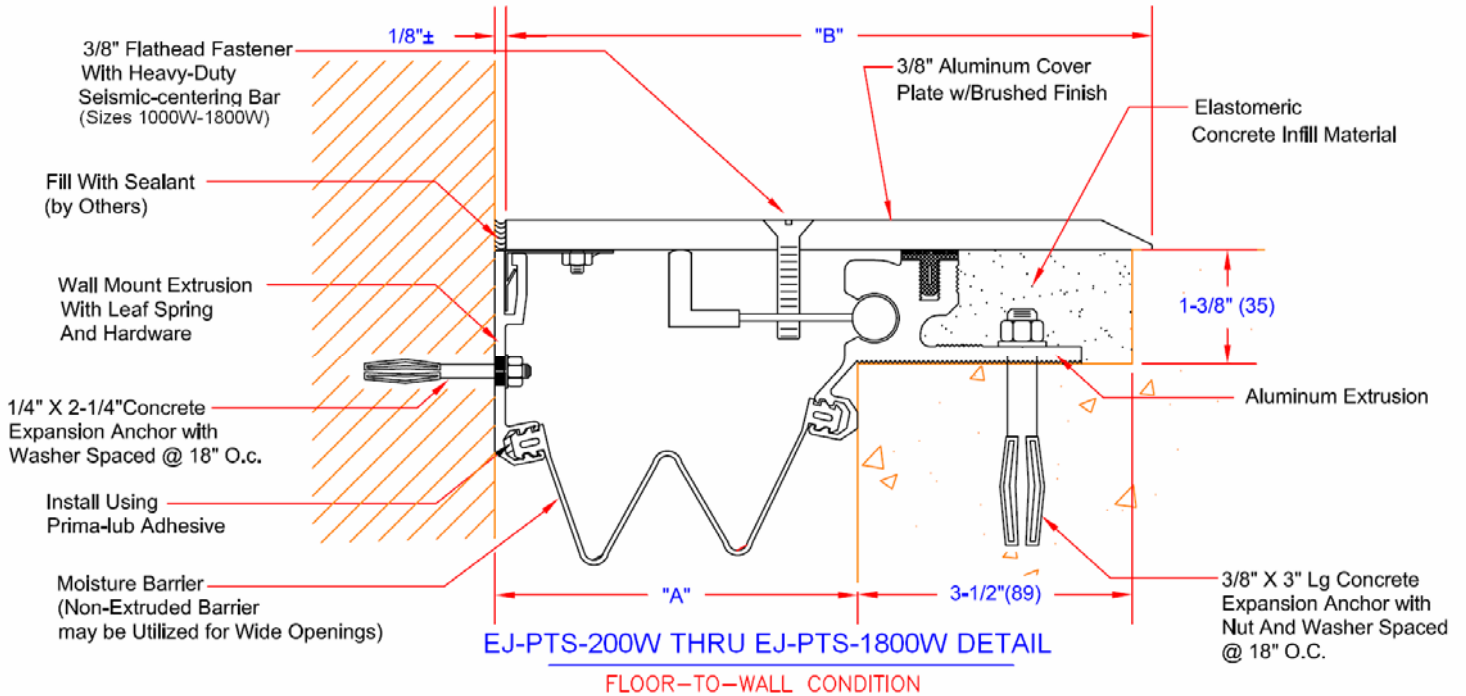


EJ-PTS-W Series

Expansion joint cover for decking Floor to Wall Condition



() - DENOTES MILLIMETERS

DIMENSION CHART					
MODEL	"A" @ MIN	"A" @ MID	"A" @ MAX	"B"	TOTAL MOVEMENT
-PTS-200W	1-3/8"(35)	2"(51)	2-5/8"(67)	3-3/4"(95)	1-1/4"(32)
-PTS-400W	1-3/8"(35)	4"(102)	5-1/8"(130)	6-1/4"(159)	3-3/4"(95)
-PTS-600W	1-3/8"(35)	6"(152)	7-5/8"(194)	8-3/4"(222)	6-1/4"(159)
-PTS-800W	1-3/8"(35)	8"(203)	10-1/8"(257)	11-1/4"(286)	8-3/4"(222)
-PTS-1000W	6"(152)	10"(254)	12-5/8"(321)	13-3/4"(349)	6-5/8"(169)
-PTS-1200W	7"(178)	12"(305)	15-1/8"(384)	16-1/4"(413)	8-1/8"(206)
-PTS-1500W	8-1/2"(216)	15"(381)	19-1/8"(486)	20-1/4"(514)	10-5/8"(270)
-PTS-1800W	10"(254)	18"(457)	22-5/8"(575)	23-3/4"(603)	12-5/8"(321)

NOTE: COVERPLATE IS DESIGNED FOR THE OUTSIDE EDGE TO LINE UP WITH THE OUTSIDE EDGE OF THE FLOOR-TO-FLOOR COVERPLATE AT RECOMMENDED INSTALLATION WIDTHS(MID) LISTED ABOVE.



Right to site.

Call: 800-547-2635 Fax: 800-317-8770
USA or Canada
Web: www.nystrom.com
E-mail: info@nystrom.com

PROJECT: [REDACTED]

CONTRACTOR: [REDACTED]

ARCHITECT: [REDACTED]

INITIALS: QTY: DATE: PART NUMBER: