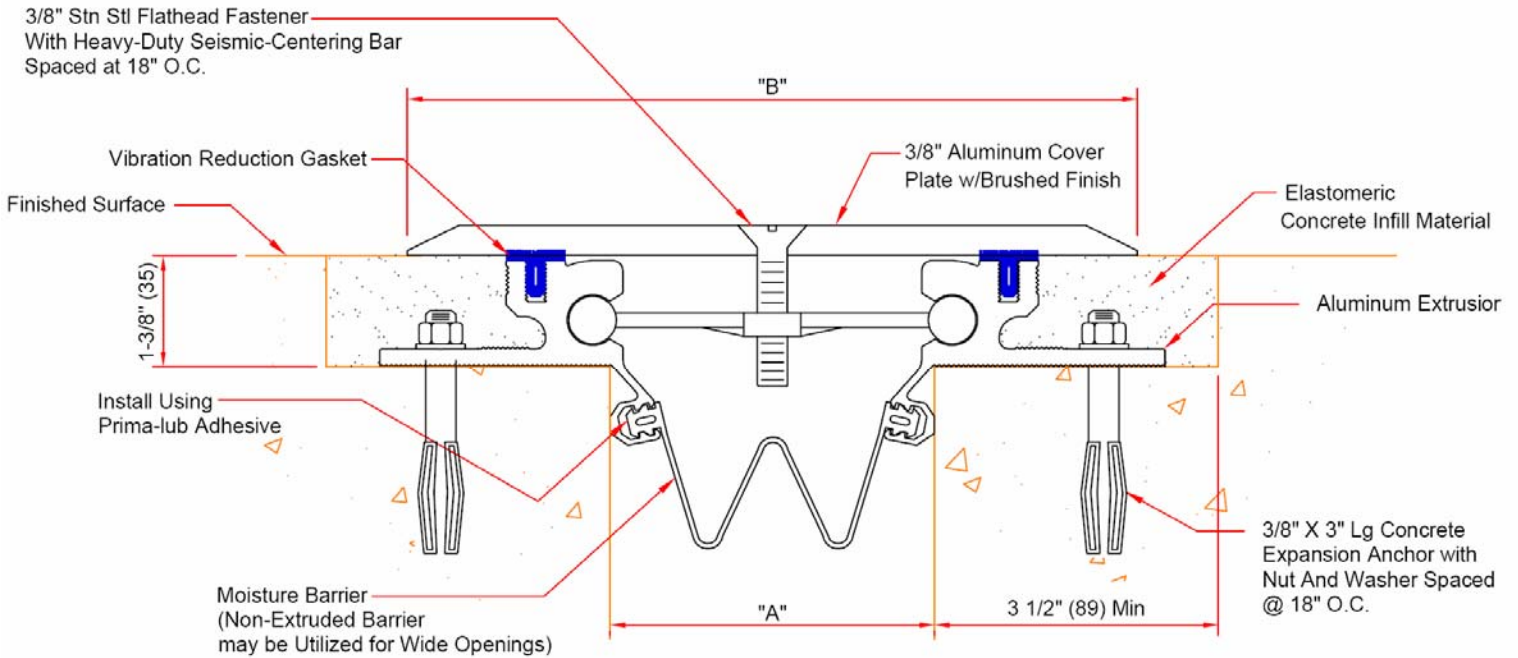


EJ-PTS Series

Expansion joint cover for decking Surface Mount



EJ-PTS-200 THRU EJ-PTS-1800 DETAIL
FLOOR-TO-FLOOR CONDITION

() - Denotes Millimeters

DIMENSION CHART					
Model	"A" @ Min	"A" @ Mid	"A" @ Max	"B"	Total Movement
EJ-PTS-200	1-3/8"(35)	2"(51)	3"(76)	5 3/4"(146)	1-5/8"(41)
EJ-PTS-400	1-3/8"(35)	4"(102)	6"(152)	8 3/4"(222)	4-5/8"(117)
EJ-PTS-600	1-3/8"(35)	6"(152)	9"(229)	11 3/4"(298)	7-5/8"(194)
EJ-PTS-800	1-3/8"(35)	8"(203)	12"(305)	14 3/4"(375)	10-5/8"(270)
EJ-PTS-1000	1-3/8"(35)	10"(254)	15"(381)	17 3/4"(451)	13-5/8"(346)
EJ-PTS-1200	1-3/8"(35)	12"(305)	18"(457)	20 3/4"(527)	16-5/8"(422)
EJ-PTS-1500	1-3/8"(35)	15"(381)	23"(584)	25 3/4"(654)	21-5/8"(549)
EJ-PTS-1800	1-3/8"(35)	18"(457)	27"(686)	29 3/4"(756)	25-5/8"(657)



Right to site.

Call: 800-547-2635 Fax: 800-317-8770
USA or Canada
Web: www.nystrom.com
E-mail: info@nystrom.com

PROJECT: _____

CONTRACTOR: _____

ARCHITECT: _____

INITIALS: _____

QTY: _____

DATE: _____

PART NUMBER: _____