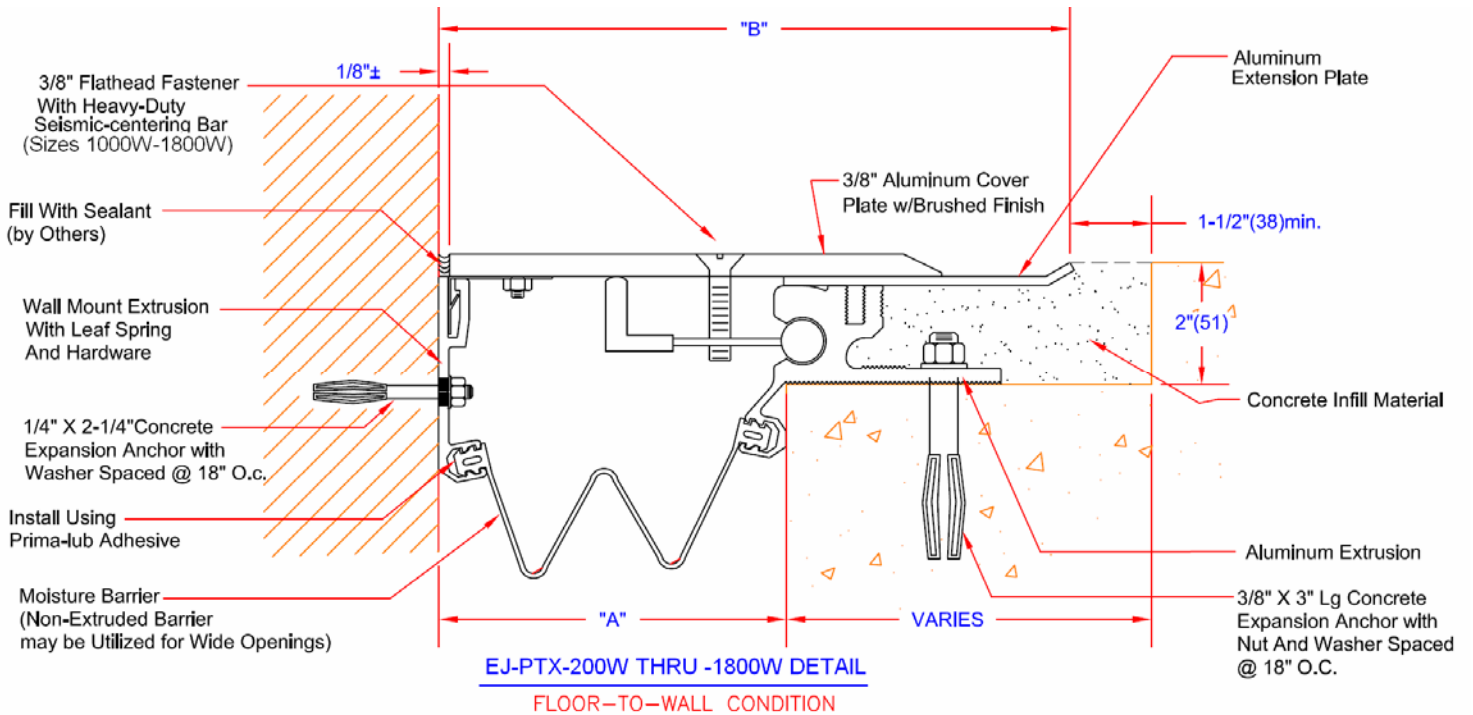


EJ-PTX-W Series

Expansion joint cover for decking Floor to Wall Condition



DIMENSION CHART					
MODEL	"A" @ MIN	"A" @ MID	"A" @ MAX	"B"	TOTAL MOVEMENT
EJ-PTX-200W	1-3/8"(35)	2"(51)	2-5/8"(67)	4-1/8" (104)	1-1/4"(32)
EJ-PTX-400W	1-3/8"(35)	4"(102)	5-1/8"(130)	7-1/8" (181)	3-3/4"(95)
EJ-PTX-600W	1-3/8"(35)	6"(152)	7-5/8"(194)	10-1/8" (257)	6-1/4"(159)
EJ-PTX-800W	1-3/8"(35)	8"(203)	10-1/8"(257)	13-1/8" (333)	8-3/4"(222)
EJ-PTX-1000W	6"(152)	10"(254)	12-5/8"(321)	16-1/8" (410)	6-5/8"(169)
EJ-PTX-1200W	7"(178)	12"(305)	15-1/8"(384)	19-1/8" (486)	8-1/8"(206)
EJ-PTX-1500W	8-1/2"(216)	15"(381)	19-1/8"(486)	23-7/8" (606)	10-5/8"(270)
EJ-PTX-1800W	10"(254)	18"(457)	22-5/8"(575)	28-1/8" (714)	12-5/8"(321)

Note: Coverplate Is Designed For The Outside Edge To Line Up With The Outside Edge Of The Floor-to-floor Coverplate At Recommended Installation Widths(mid) Listed Above.



Right to site.

Call: 800-547-2635 Fax: 800-317-8770
USA or Canada
Web: www.nystrom.com
E-mail: info@nystrom.com

PROJECT: _____
 CONTRACTOR: _____
 ARCHITECT: _____
 INITIALS: _____ QTY: _____ DATE: _____ PART NUMBER: _____