

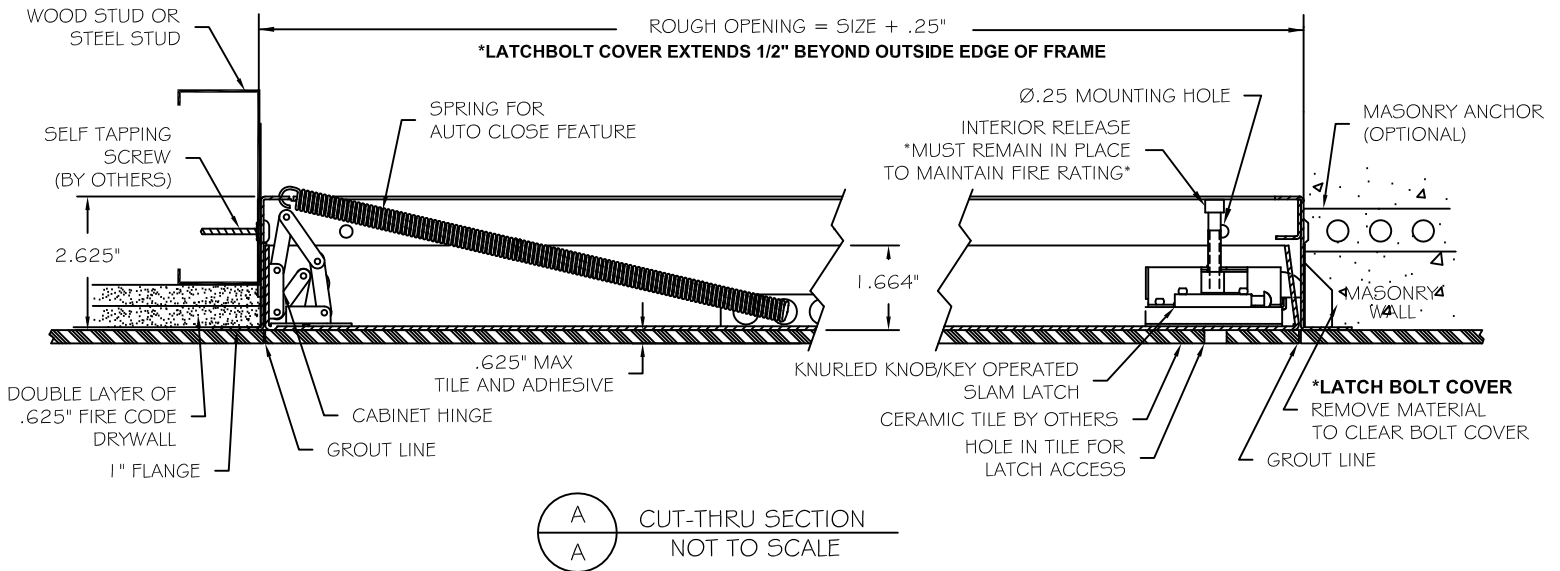
FRONT ELEVATION
NOT TO SCALE

SPECIFICATIONS

- 16 GAUGE GALVANNEALED STEEL FRAME
- 14 GAUGE GALVANNEALED STEEL DOOR
- CABINET HINGE
- FRAMES PROVIDED WITH 1/4" MOUNTING HOLES
- FLUSH KEY / METAL KNURLED KNOB OPERATED LOCK
- SPRING DOOR CLOSURE
- 1" WIDE EXPOSED FLANGE
- INTERIOR RELEASE MECHANISM
- DOOR OPENS TO 90° MAX
- 5/8" MAXIMUM THICKNESS OF TILE AND ADHESIVE
- FIRE RATED UP TO SIZE 24 W X 24 H

LISTINGS

1 1/2 HR. "B" LABEL



CUT-THRU SECTION
NOT TO SCALE

Standard Features:

- Door: 14 gauge galvanized steel
Frame: 16 gauge galvanized steel with 1" flange
Hinge: Cabinet hinge
Latch: Knurled knob/Key operated slam latch
Optional: Mortise cylinder preparation (cylinder provided by factory or by others)
Finish: None
Optional: stainless steel with #4 satin polish finish
Other: Self-closing with interior release mechanism
For Tile, maximum thickness of tile and adhesive is $\frac{5}{8}$ "
-

Specifications:

Frame shall be 16 gauge galvanized steel with 1" flange. Door shall be fabricated from 14 gauge galvanized steel. Door shall be self-latching with automatic closer and interior latch release mechanism. Hinge shall be cabinet type. Latch(es) shall be knurled knob/key operated slam latch (optional: preparation to receive 1 $\frac{3}{4}$ " mortise cylinder - cylinder provided by factory or others). This assembly shall carry a 1 $\frac{1}{2}$ hour UL "B" label for walls only. No finish (optional: stainless steel with #4 satin polish finish).

Installation shall be in accordance with manufacturers instructions. Manufacturer shall guarantee against defects in material and workmanship for a period of one year.

Standard Sizes:

Std Sizes (in)	Std Sizes (mm)	Weight/Latches
08x08	203x203	5/1
12x12	305x305	9/1
12x18	305x457	13/1
12x24	305x610	14/1
16x16	406x406	12/1
18x18	457x457	14/1
18x24	457x610	19/1
24x24	610x610	21/1

All units are hinged on the second dimension (height). Rough opening is size plus $\frac{1}{4}$ ".
These access doors are designed for use in wall applications only.