

FRONT ELEVATION

NOT TO SCALE

SPECIFICATIONS

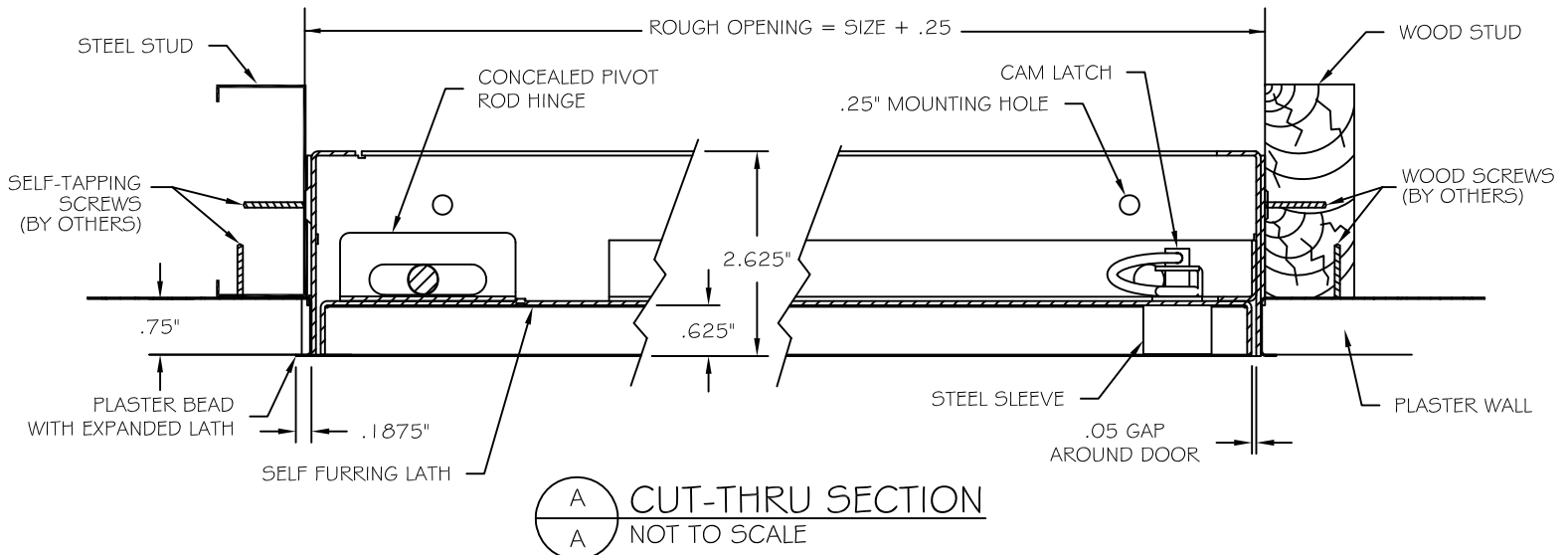
- 16 GAUGE COLD ROLLED STEEL FRAME
- 16 GAUGE COLD ROLLED STEEL DOOR
- SELF-FURRING 3.4 lb GALVANIZED STEEL LATH WELDED ON DOOR
- 22 GAUGE GALVANIZED STEEL PLASTER BEAD WITH EXPANDED LATH
- CONCEALED PIVOT ROD HINGE
- SCREWDRIVER OPERATED CAM LATCH WITH PLASTIC GROMMET AND PLUG
- FRAMES ARE PROVIDED WITH .25" MOUNTING HOLES
- GRAY BAKED ON POWDER COAT FINISH
- VISIBLE FINE LINE EDGE OF DOOR & FRAME PAINTED WITH WHITE BAKED ON PRIMER

OPTIONS

- GALVANIZED BONDERIZED STEEL
- KEY OPERATED CAM LOCK, ONE PER PANEL
- 304 STAINLESS STEEL WITH #4 SATIN FINISH WITH CONCEALED STAINLESS STEEL PIVOT ROD HINGE
- MASONRY ANCHOR
- GASKET

CLEAR OPENING

\* WIDTH = MINUS 2.625" \* HEIGHT = MINUS 1.125"  
 18 X 18 IS MAX FOR VERTICAL INSTALLATION  
 24 X 36 IS MAX FOR HORIZONTAL INSTALLATION



CUT-THRU SECTION  
 NOT TO SCALE

Standard Features:

- Door: 16 gauge cold rolled steel
  - Frame: 16 gauge cold rolled steel with 22 gauge galvanized plaster casing bead
  - Hinge: Concealed pivoting rod hinge
  - Latch: Screwdriver operated cam latch(es)  
Optional: Key operated cam lock (installed by others after infill of material)
  - Finish: Gray baked on powder coat
  - Pan: 5/8" pan for infill of material
- 

Specifications:

Frame shall be 16 gauge cold rolled steel with 22 gauge galvanized steel plaster casing bead. Door shall be fabricated from 16 gauge cold rolled steel, recessed 5/8" for infill of material. Hinge shall be concealed pivoting rod type. Latch(es) shall be screwdriver operated cam type (optional: key operated cam lock-installed by others after infill of material). Finish shall be gray baked on powder coat.

Installation shall be in accordance with manufacturers instructions. Manufacturer shall guarantee against defects in material and workmanship for a period of one year.

---

Standard Sizes:

Std Sizes (in)	Std Sizes (mm)	Weight/Latches	Vertical or Horizontal
08x08	203x203	7/1	VERT/HORZ
12x12	305x305	8/1	VERT/HORZ
12x24	305x610	11/2	VERT/HORZ
16x16	406x406	11/1	VERT/HORZ
18x18	457x457	13/2	VERT/HORZ
22x30	559x762	25/2	HORZ. ONLY
24x24	610x610	22/2	HORZ. ONLY
24x36	610x914	32/3	HORZ. ONLY

All units are hinged on the second dimension (height). Rough opening is size plus 1/4".  
18 X 18 IS MAX FOR VERTICAL INSTALLATION  
24 X 36 IS MAX FOR HORIZONTAL INSTALLATION