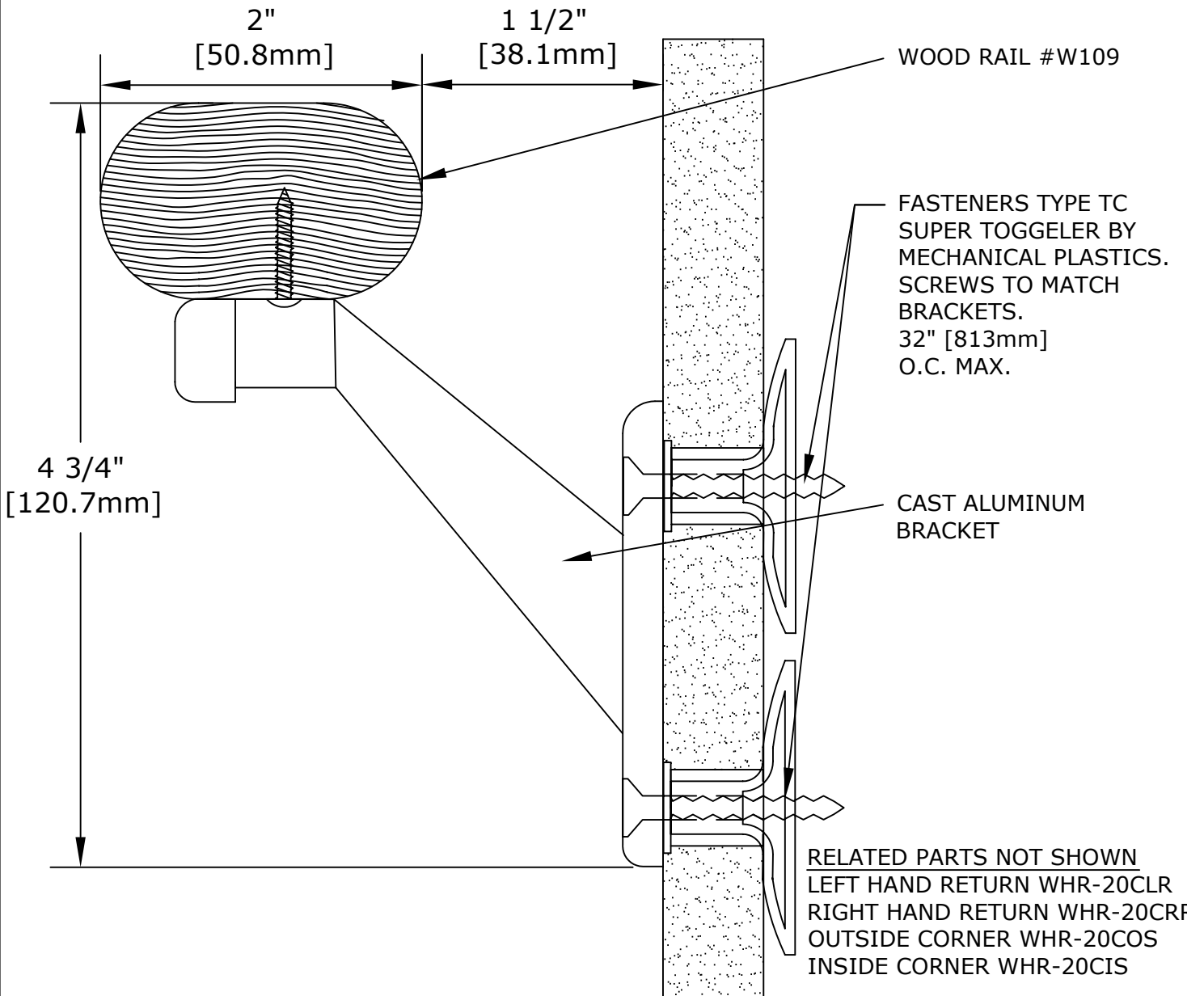


EnvIRONwood™ Integrated Wood Wall Protection Systems

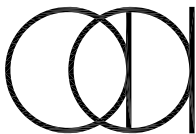


HANDRAIL SYSTEM WHR-20

IMPORTANT: USER SHALL VERIFY CONFORMANCE OF ALL CONSTRUCTIONS SHOWN WITH LOCAL CODES AND WITH REQUIREMENTS OF METAL STUD MANUFACTURER FOR RATINGS. FASTENERS AND PARTITION COMPONENTS NOT BY ARDEN ARCHITECTURAL SPECIALTIES, INC.

HANDRAILS	DATE:	SCALE:
-----------	-------	--------

GENERAL SPECIFICATION HAND RAIL : FOREST STEWARDSHIP COUNCIL (FSC) CERTIFIED KILN DRIED SELECT OR BETTER ASH, OAK, OR MAPLE, FURNISHED IN 6'-14' [1.8M-4.3M] RANDOM LENGTHS WITH CAST ALUMINUM BRACKETS RETURNS AND CORNERS: PREFABRICATED AND STAINED TO MATCH. DUE TO NATURAL VARIATIONS IN WOOD, GRAIN MAY NOT MATCH EXACTLY. BRACKETS: CAST ALUMINUM WITH BRONZE (US-10), BRASS (US-3) OR CLEAR (US-27) ANODIZED FINISH FINISH : STAINED OR CLEAR FINISH. SEALED AND FINISHED WITH TWO COATS OF WATER WHITE CONVERSION VARNISH.	PROJECT:
	ARCHITECT:
	CONTRACTOR:
	REPRESENTATIVE:



Arden
Architectural
Specialties, Inc.™

151 FIFTH AVE. NW SUITE J ST. PAUL, MN 55112-3268
 TOLL-FREE 800.521.1826 TEL 651.631.1607 FAX 651.631.0251

CUSTOMER:	CUST. NO:	JOB NO:	SHEET OF
-----------	-----------	---------	----------