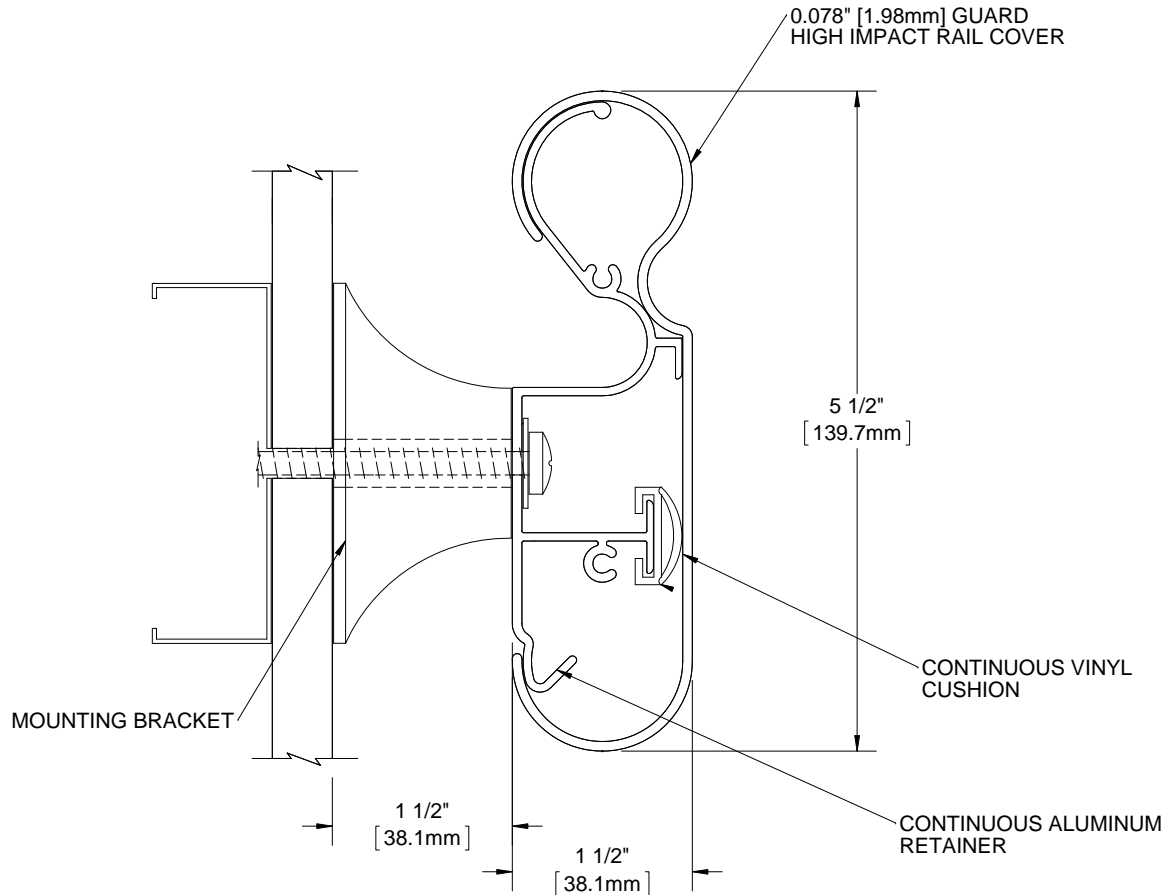



QUANTITY

COLOR



NOTES:

1. **PROFILE:** HIGH IMPACT VINYL ACRYLIC EXTRUSION LOCKED IN PLACE, NOMINAL 0.078" (1.98mm) THICK
2. CLASS A FIRE RATING, TESTED TO ASTM E84
3. **RETAINER:** CONTINUOUS 6063 T-5 ALUMINUM RETAINER, NOMINAL 0.080" (2.03mm) THICK
4. **EXTRUSION:** PEBBLE GRAIN FINISH WHICH CONTAINS EPA REGISTERED MICRO-CHEK ANTIMICROBIAL AGENT
5. **VINYL HANDRAIL LENGTH:** PROVIDED IN 20' CONTINUOUS SECTIONS
6. SPLICE KIT: #HRVE55C-SK, RIGHT RETURN W/TRIM: #HRVE55C-RRT, LEFT RETURN W/TRIM: #HRVE55C-LRT, OUTSIDE CORNER W/TRIM: #HRVE55C-OCT, INSIDE CORNER W/TRIM: #HRVE55C-ICT, OUTSIDE 135 DEG CORNER W/TRIM: #HREV55C-OCT135
7. FASTENERS AND PARTITION COMPONENTS PROVIDED BY OTHERS.

PROJECT:					
ARCHITECT:					
CONTRACTOR:					
 Right to site. 9300 73rd Avenue North Brooklyn Park, MN 55428		TITLE: 5-1/2" VINYL HANDRAIL CONTINUOUS RETAINER W/ THUMB GRIP			
		NAME	DATE	SIZE	DWG. NO.
DRAWN	MDS	03MAY13	A	HRVE55C-TG	A
RELEASED	PGE	10MAY13	WEIGHT: 1.72 lbs/ft	SHEET 1 OF 1	