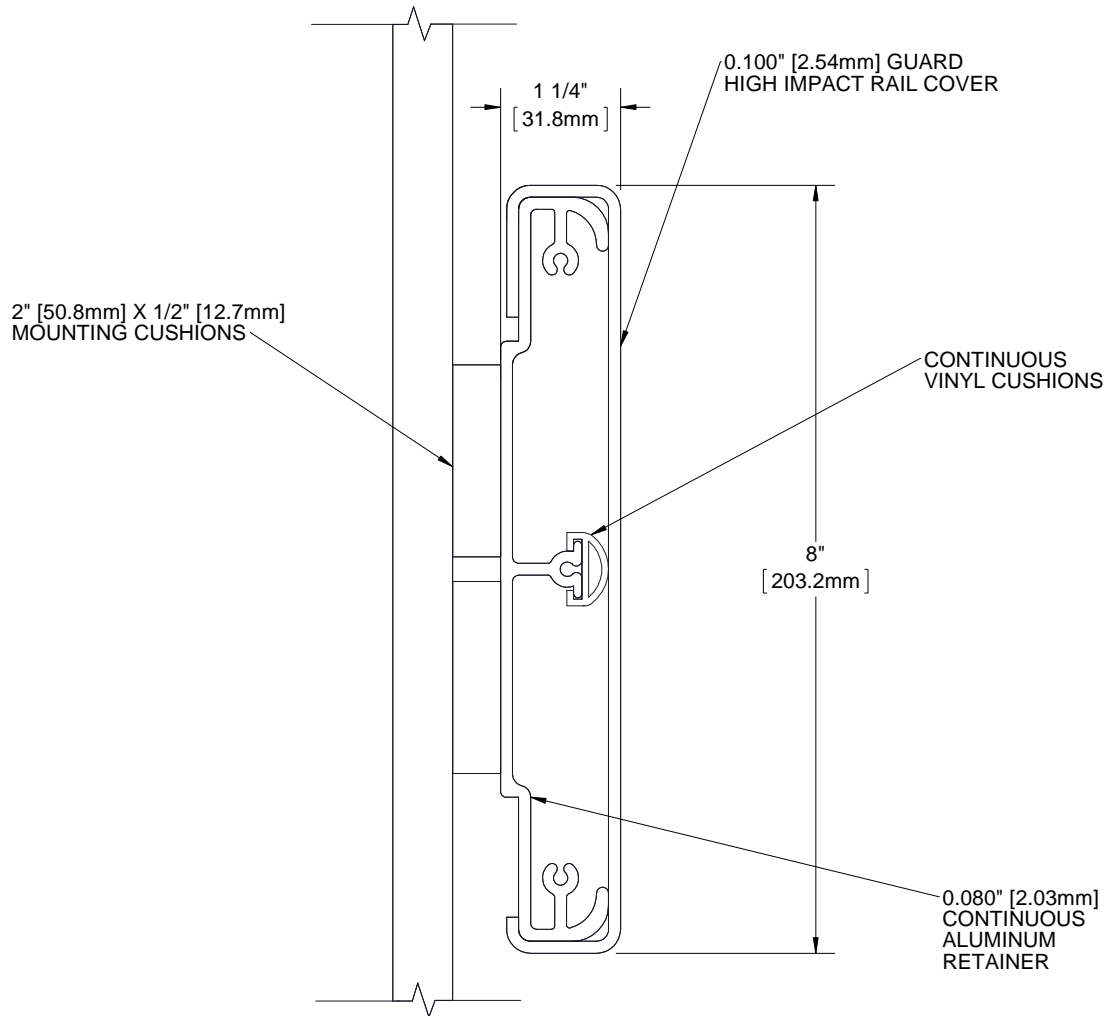


QUANTITY


COLOR



NOTES:

1. **PROFILE:** HIGH IMPACT VINYL ACRYLIC EXTRUSION LOCKED IN PLACE, NOMINAL 0.100" (2.54mm) THICK
2. CLASS A FIRE RATING, TESTED TO ASTM E84
3. **RETAINER:** CONTINUOUS 6063 T-5 ALUMINUM RETAINER, NOMINAL 0.080" (2.03mm) THICK
4. **EXTRUSION:** PEBBLE GRAIN FINISH WHICH CONTAINS EPA REGISTERED MICRO-CHEK ANTIMICROBIAL AGENT
5. **VINYL CRASH RAIL LENGTH:** PROVIDED IN 20' CONTINUOUS SECTIONS
6. END CAP: #CRVS8C-EC, OUTSIDE CORNER: #CRVS8C-OC, 135 DEG OUTSIDE CORNER: #CRVS8C-OC135, INSIDE CORNER: #CRVS8C-IC, SPLICE KIT: #CRVS8C-SK
7. FASTENERS AND PARTITION COMPONENTS PROVIDED BY OTHERS.

PROPRIETARY AND CONFIDENTIAL: THE INFORMATION CONTAINED IN THIS DRAWING IS THE SOLE PROPERTY OF NYSTROM. ANY REPRODUCTION IN PART OR AS A WHOLE WITHOUT THE WRITTEN PERMISSION OF NYSTROM IS PROHIBITED.

PROJECT:				
ARCHITECT:				
CONTRACTOR:				
 <small>Right to site.</small> 9300 73rd Avenue North Brooklyn Park, MN 55428		TITLE:		
		8" VINYL CRASH RAIL SURFACE MOUNT 1/2" CUSHION, CONTINUOUS RETAINER		
NAME	DATE	SIZE	DWG. NO.	REV
DRAWN	MDS 23APR13	A	CRVS8C-C05	A
RELEASED	PGE 01MAY13	WEIGHT: 2.27 lbs/ft	SHEET 1 OF 1	