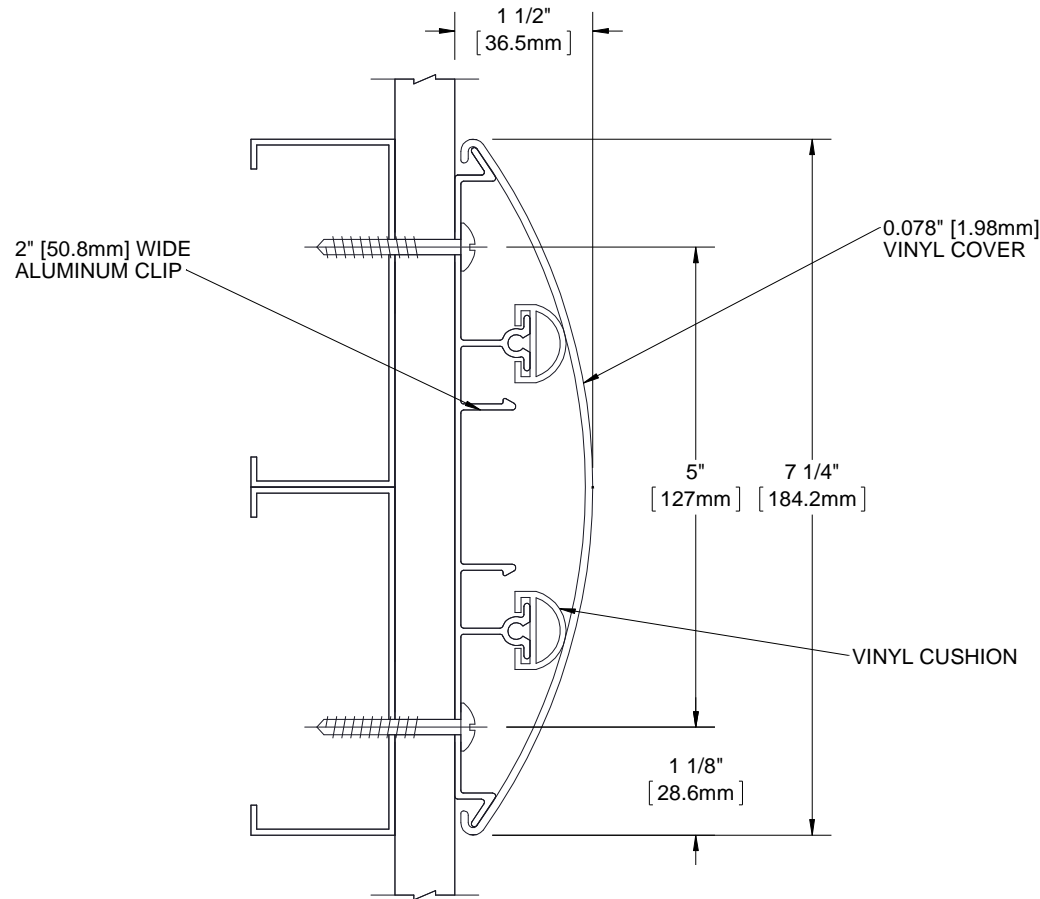



QUANTITY

COLOR



NOTES:

1. **PROFILE:** HIGH IMPACT VINYL ACRYLIC EXTRUSION LOCKED IN PLACE, NOMINAL 0.078" (1.98mm) THICK
2. CLASS A FIRE RATING, TESTED TO ASTM E84
3. **RETAINER:** 6063 T-5 ALUMINUM RETAINER CLIP, NOMINAL 0.060" (1.52mm) THICK X 2" WIDE
4. **EXTRUSION:** PEBBLE GRAIN FINISH WHICH CONTAINS EPA REGISTERED MICRO-CHEK ANTIMICROBIAL AGENT
5. **VINYL CRASH RAIL LENGTH:** PROVIDED IN 20' CONTINUOUS SECTIONS
6. END CAP: #CRVS7C-ECT, OUTSIDE CORNER: #CRVS7C-OCT, 135 DEG OUTSIDE CORNER: #CRVS7C-OC135, SPLICE KIT: #CRVS7E-SK
7. FASTENERS AND PARTITION COMPONENTS PROVIDED BY OTHERS.

PROJECT:			
ARCHITECT:			
CONTRACTOR:			
 <small>Right to site.</small> 9300 73rd Avenue North Brooklyn Park, MN 55428		TITLE: 7" VINYL CRASH RAIL	
		CRESCENT SHAPE, SURFACE MOUNT ECONOMY 2" MOUNTING CLIP	
NAME	DATE	SIZE	DWG. NO.
DRAWN MDS	04JUN13	A	CRVS7E
RELEASED	PGE	04JUN13	WEIGHT: 1.37 lbs/ft
			REV A
			SHEET 1 OF 1