

SPECIFICATIONS:

① **COVER:** 11 GA ALUM COVER STIFFENED TO WITHSTAND A LIVE LOAD OF 40PSF WITH A MAX DEFLECTION OF 1/150 OF THE SPAN

② **LINER:** 18 GA ALUM

③ **CURB AND COUNTERFLASH W/ EZ TAB:**

11 GA ALUM

4 **FINISH:** MILL FINISH

⑤ **SPRING/HINGE ASSEMBLY:** ZINC PLATED STEEL TAMPER-PROOF HINGE CONTAINED WITHIN SPRING/HINGE ASSEMBLY. TELESCOPIC TUBES CONTAIN COIL STEEL COMPRESSION SPRINGS FOR LIFT ASSISTANCE

⑥ **HOLD OPEN ARM:** LOCKS COVER IN FULLY OPEN POSITION - ZINC PLATED STEEL WITH RED VINYL GRIP HANDLE PULL RELEASE

⑦ **LATCH:** SINGLE POINT LATCH SLAM LATCH HOLDS COVER CLOSED AGAINST 20 PSF WIND UPLIFT. INTERNAL AND EXTERNAL TURN HANDLES WITH PADLOCK HASPS

⑧ **INSULATION:**

1" POLYSTYRENE (R4) IN COVER, AND 1" FIBERBOARD (R2.8) IN CURB

⑨ **GASKET:** ADHESIVE BACKED EPDM RUBBER EXTRUSION

⑩ **SIZING:** WIDTH X LENGTH DIMENSIONS ARE MEASURED INSIDE CURB TO INSIDE CURB WHERE THE WIDTH IS HINGE TO LATCH AND LENGTH IS HINGED SIDE WITH SPRINGS

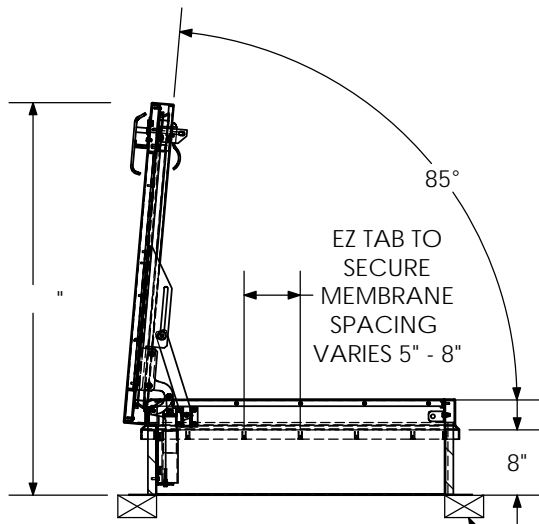
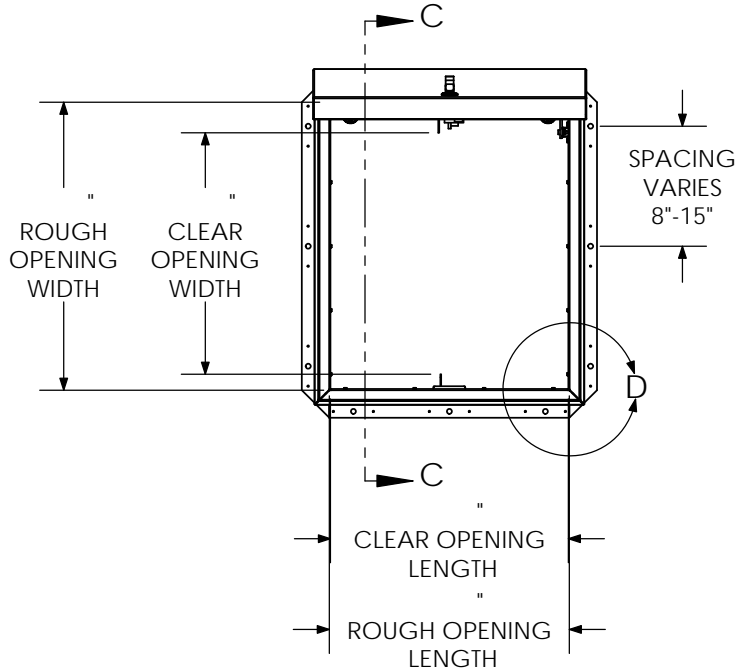
ROOF HATCH SIZE " (WIDTH) x " (LENGTH)

CLEAR OPENING " (WIDTH) x " (LENGTH)

ROUGH OPENING " (WIDTH) x " (LENGTH)

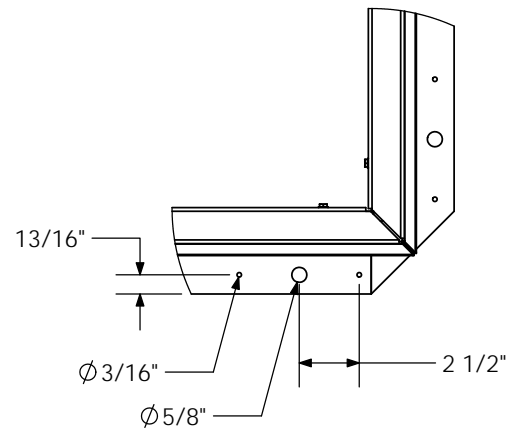
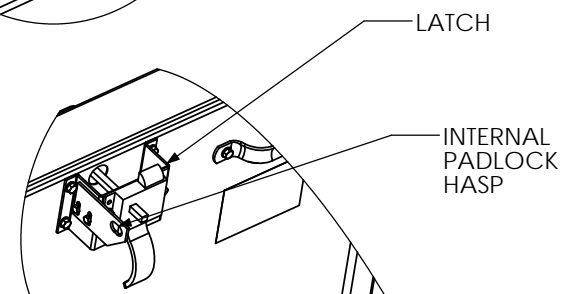
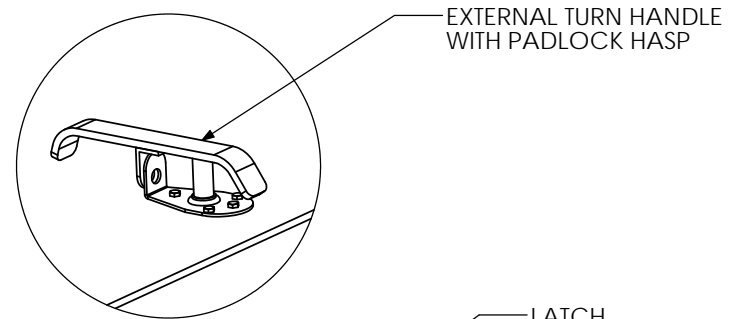
PROPRIETARY AND CONFIDENTIAL: THE INFORMATION CONTAINED IN THIS DRAWING IS THE SOLE PROPERTY OF NYSTROM. ANY REPRODUCTION IN PART OR AS A WHOLE WITHOUT THE WRITTEN PERMISSION OF NYSTROM IS PROHIBITED.

PROJECT:					
ARCHITECT:					
CONTRACTOR:					
QTY:					
PART#:					
NYSTROM Right to site. 9300 73rd Avenue North Brooklyn Park, MN 55428		TITLE: Roof Hatch, Equipment Series, Sngl Dr, Zinc Hdw, Alum Curb and Cover, Mill Finish, Sngl Wall Curb			
		NAME	DATE	SIZE	DWG. NO.
DRAWN	ELW	9/26/12	A		A
RELEASED	-	-	WEIGHT: VARIES		SHEET 1 OF 2

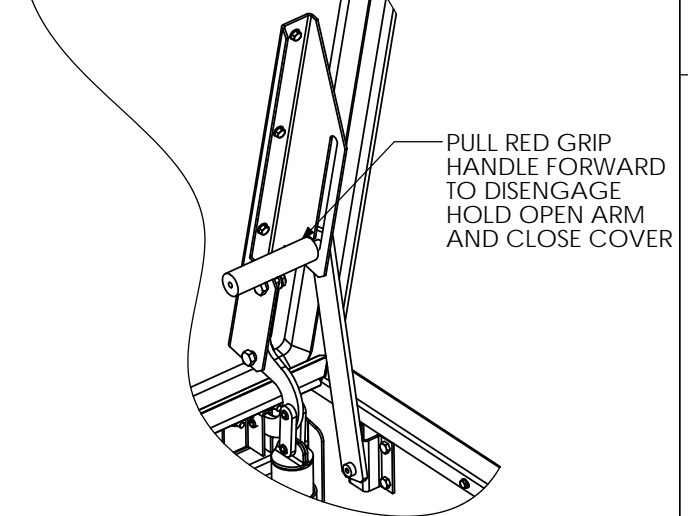


SECTION C-C

WOOD, CONCRETE, OTHER MATERIAL FOR MOUNTING BY OTHERS (NIC)



DETAIL D



HARDWARE DETAILS



Right to site.
9300 73rd Avenue North
Brooklyn Park, MN 55428

TITLE: Roof Hatch, Equipment Series,
Sngl Dr, Zinc Hdw,
Alum Curb and Cover, Mill Finish, Sngl Wall Curb

NAME	DATE	SIZE	DWG. NO.	REV
DRAWN ELW	9/26/12	A		A
RELEASED -	-		WEIGHT: VARIES	SHEET 2 OF 2

PROPRIETARY AND CONFIDENTIAL: THE INFORMATION CONTAINED IN THIS DRAWING IS THE SOLE PROPERTY OF NYSTROM. ANY REPRODUCTION IN PART OR AS A WHOLE WITHOUT THE WRITTEN PERMISSION OF NYSTROM IS PROHIBITED.