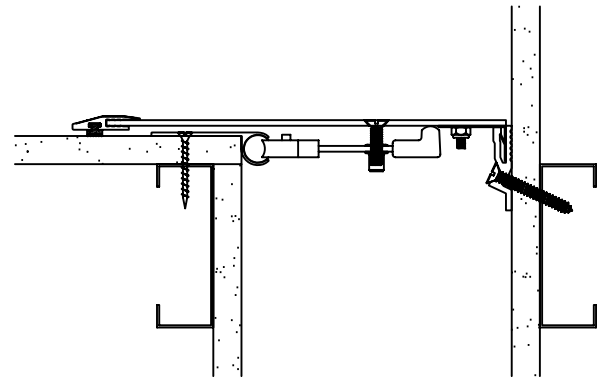


Model EJ-FCT  
Flush Condition



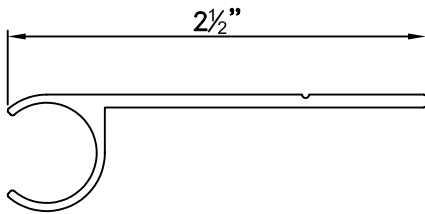
Model EJ-FCT  
Corner Condition

## Seismic Cover – Professional Series Model(s) EJ-FCT and EJ-FCT-W Vertical Expansion Control System

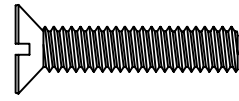
The following installation procedure is very important and must be fully understood prior to beginning any work. To ensure proper installation and performance of expansion joint system the following actions must be completed by the installing contractor. Failure to do so will affect product warranty.

- 1) Carefully read and understand installation procedure. Contact Technical Service Department for product assistance.
- 2) Inspect all shipments and materials for missing or damaged components and hardware. Contact Customer Service with order number and invoice for prompt assistance.
- 3) Inspect substrate or adjacent construction for acceptance before beginning work. Report unacceptable construction to the project manager for scheduled repair work.

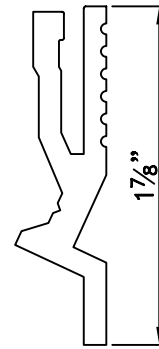
# Standard Components



Aluminum base extrusion  
p/n: 15244



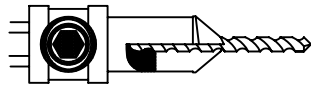
Screw 1/4" x 1 3/4"  
p/n: 5621



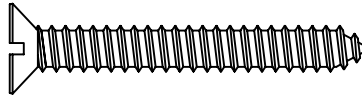
Aluminum wall mount extrusion  
p/n: 17032  
\*corner applications only



INS seal strip  
p/n: 2838

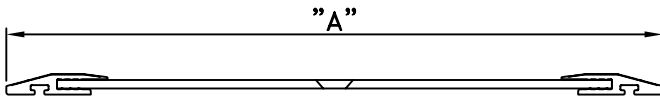


Special countersink bit  
p/n: 20650



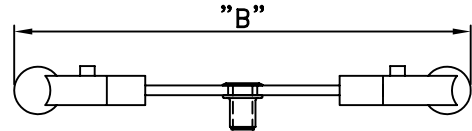
Screw 1/4" x 2"  
p/n: 5628  
\*corner application only

Components shown below vary in size depending on model of system



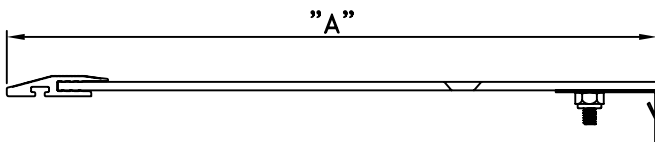
Coverplate – flush condition

Model #	Part #	"A" dim.
EJ-FCT-600	15400	13 1/2"
EJ-FCT-800	15401	17 1/2"
EJ-FCT-1000	15402	21 1/2"
EJ-FCT-1200	15403	25 1/2"
EJ-FCT-1800	15404	37 1/2"
EJ-FCT-2400	15405	49 1/2"



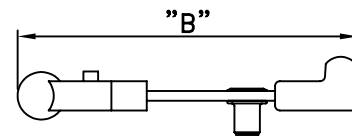
Self-center bar – flush condition

Model #	Part #	"B" dim.
EJ-FCT-600	15643	12 3/8"
EJ-FCT-800	15630	18 3/8"
EJ-FCT-1000	15631	22 3/8"
EJ-FCT-1200	15603	26 3/8"
EJ-FCT-1800	15604	38 3/8"
EJ-FCT-2400	15641	50 3/8"



Coverplate – corner condition

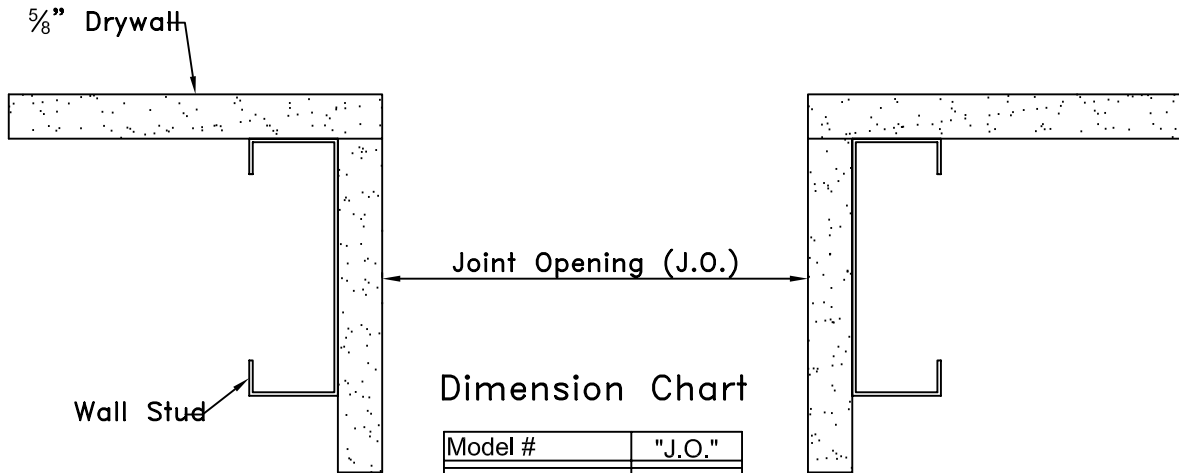
Model #	Part #	"A" dim.
EJ-FCT-600W	15406	9 5/8"
EJ-FCT-800W	15407	12 5/8"
EJ-FCT-1000W	15408	15 5/8"
EJ-FCT-1200W	15409	18 5/8"
EJ-FCT-1800W	15410	27 5/8"
EJ-FCT-2400W	15411	36 5/8"



Self-center bar – corner condition

Model #	Part #	"B" dim.
EJ-FCT-600W	15658	9"
EJ-FCT-800W	15659	12"
EJ-FCT-1000W	15660	14"
EJ-FCT-1200W	15661	16"
EJ-FCT-1800W	15663	22"
EJ-FCT-2400W	15665	28"

# Flush Condition

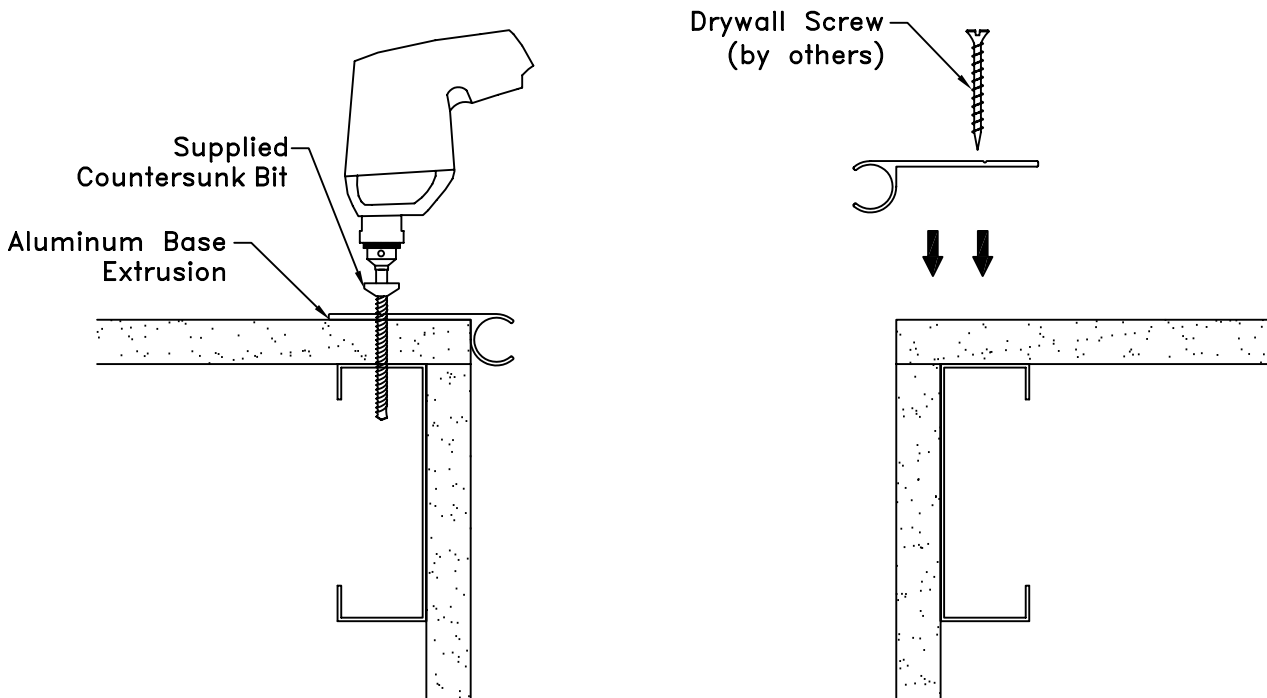


Dimension Chart

Model #	"J.O."
EJ-FCT-600	6"
EJ-FCT-800	8"
EJ-FCT-1000	10"
EJ-FCT-1200	12"
EJ-FCT-1800	18"
EJ-FCT-2400	24"

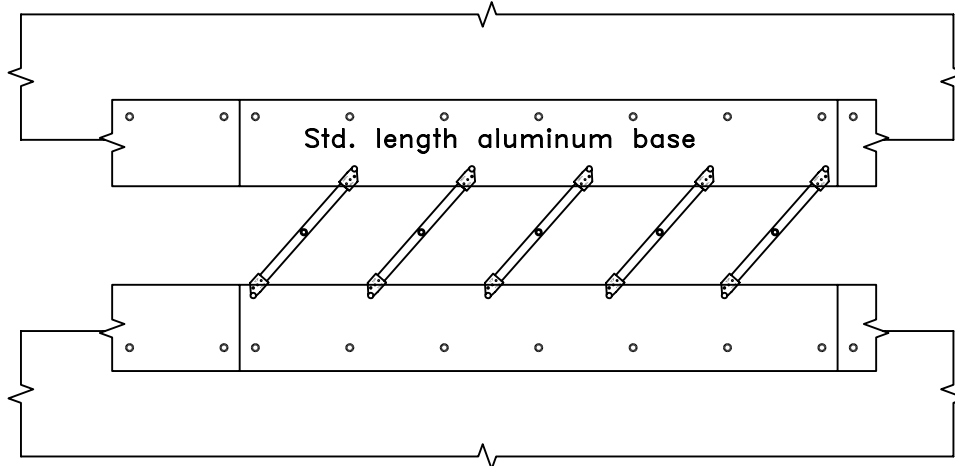
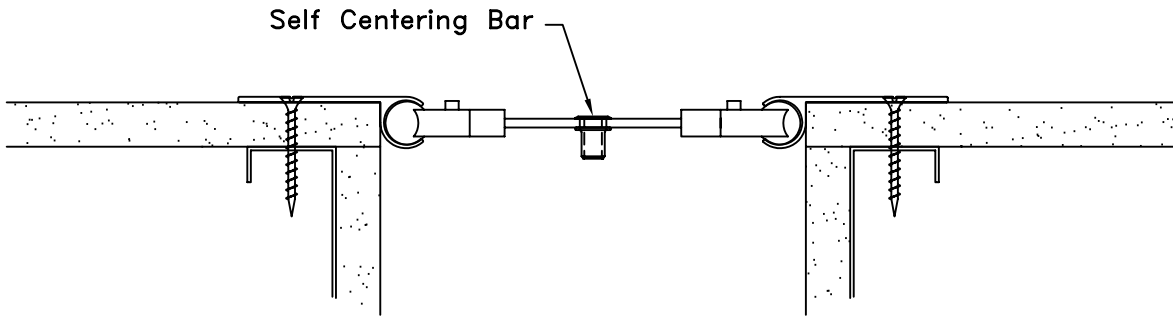
1

Prior to beginning work, installer shall inspect for proper wall construction. Verify joint opening is as called for on chart.



2

Place aluminum wall extrusion on edge of opening as shown. Utilizing supplied countersink bit drill through extrusion and drywall into stud. Fasten with drywall screws (by others) spaced at 18" o.c. maximum, start 6" from ends.  
**NOTE:** See step 3 next page before installing all base members.



Typical self-center bar layout

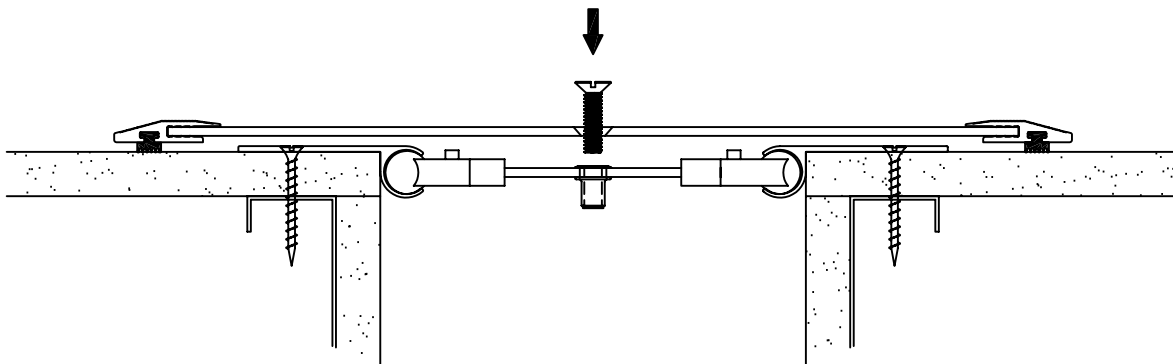
3

As you install aluminum base member sections, slide self-center bars into circular cavities. Make sure that "TOP" indicator is facing out and that all bars are in same orientation. Utilizing duct tape or something similar put a small strip on bar to hold spacing at 24" o.c.



4

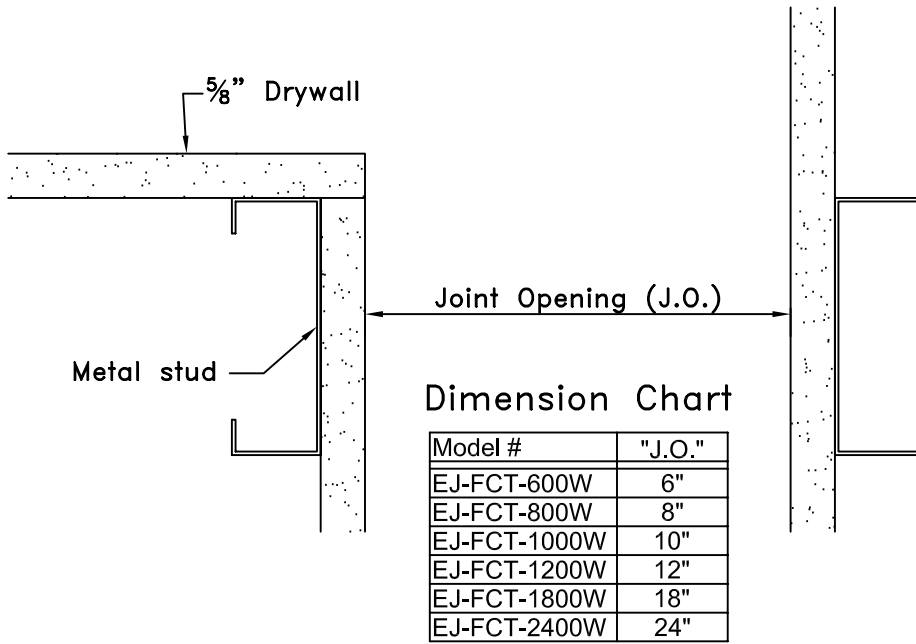
Slide gasket into coverplate



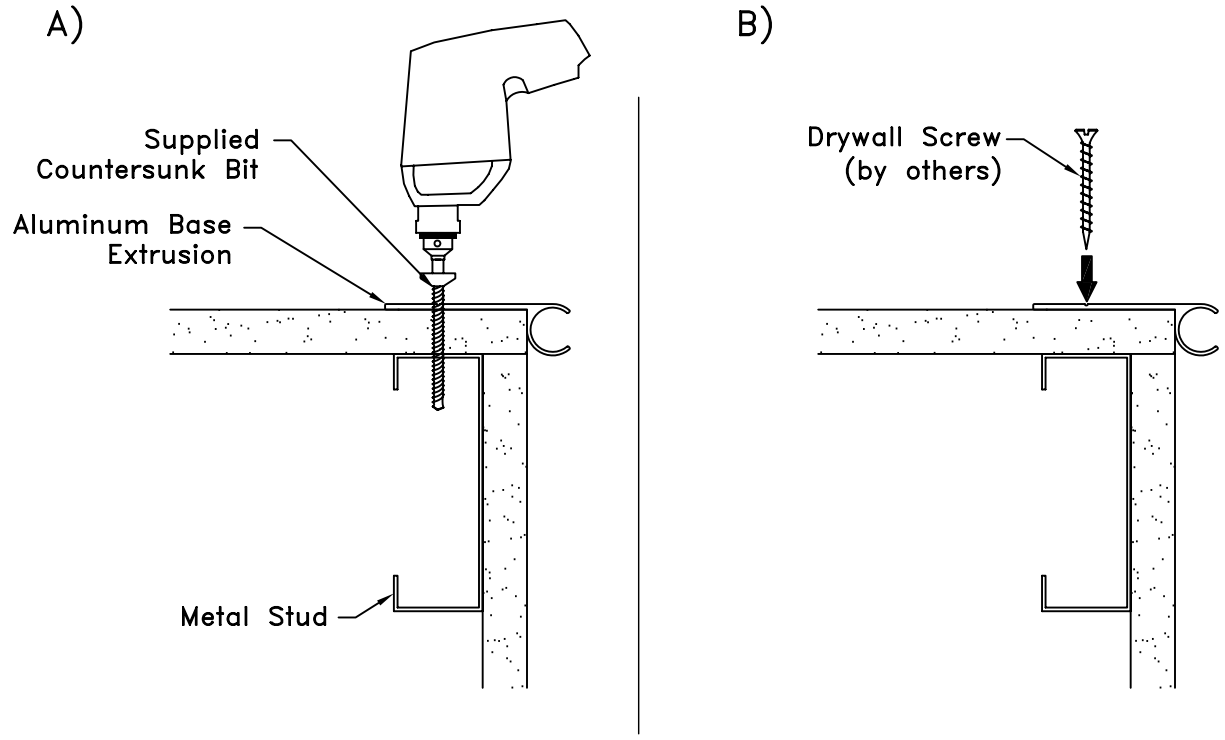
5

Center coverplate over joint opening, aligning the holes for the self-centering bars over the previously installed bars. Insert the 1/4" x 1 1/4" csk flathead machine screw through the cover into self-centering bars. Tighten to create measurable tension in bar.

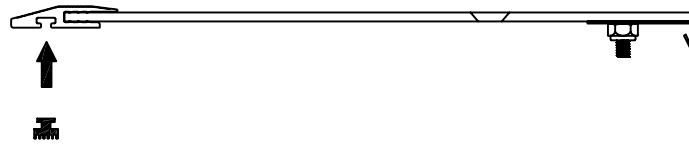
# Corner Condition



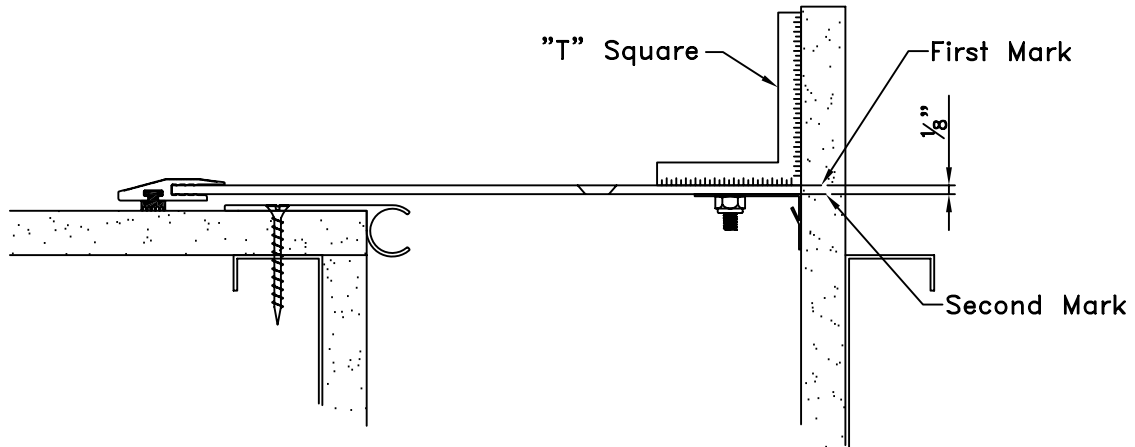
**1** Prior to beginning work, installer shall inspect for proper wall construction. Verify joint opening is as called for on chart.



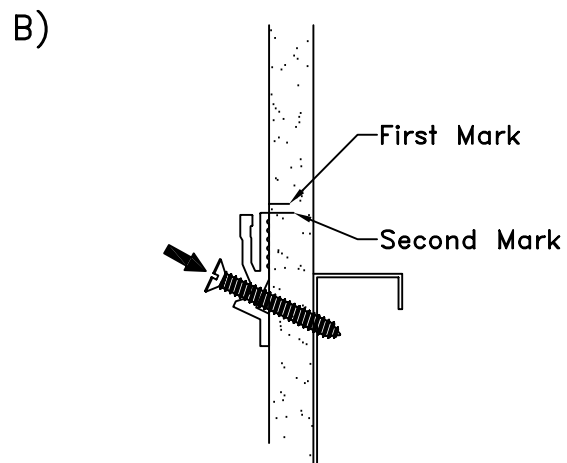
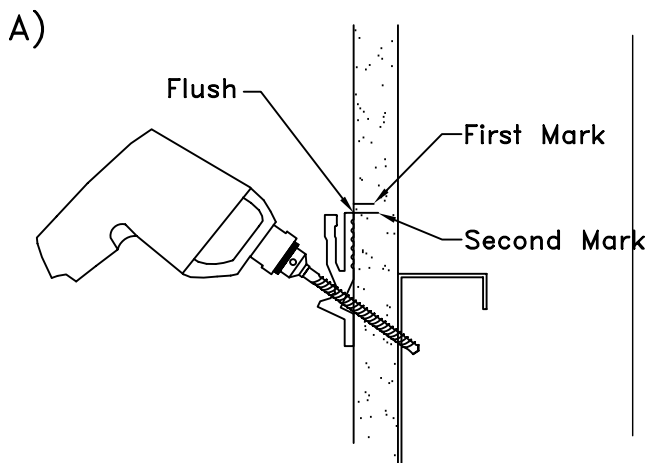
**2** A) Place aluminum wall extrusion on edge of opening as shown. Utilizing supplied countersink bit drill through extrusion and drywall into stud.  
 B) Fasten with drywall screws (by others) spaced at 18" o.c. maximum, start 6" from ends.  
**NOTE:** See step 6 before installing all base members.



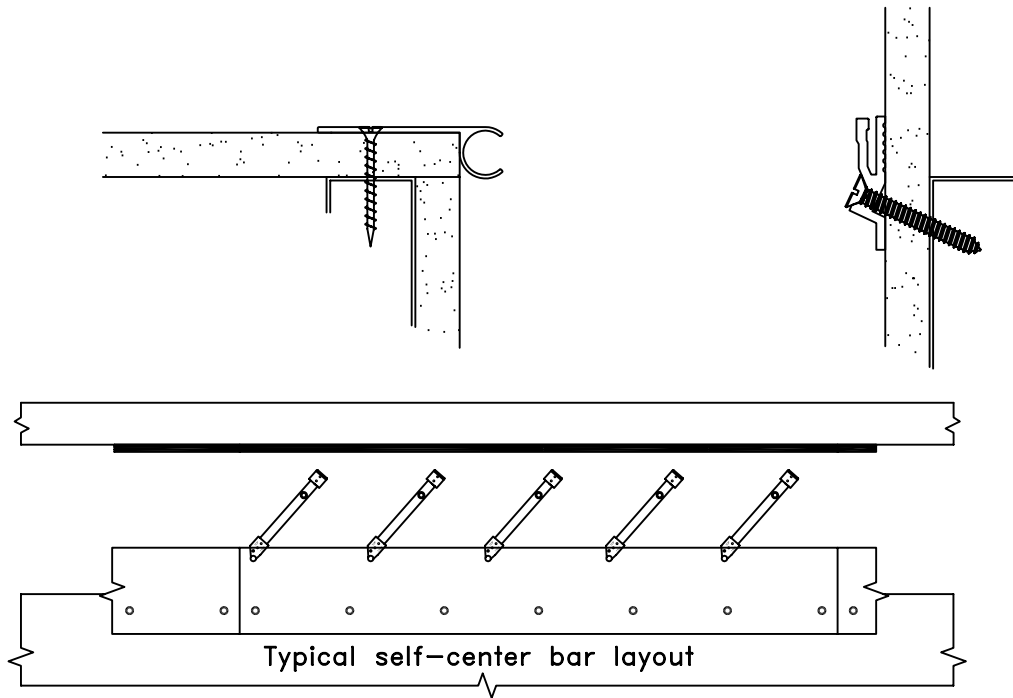
3 Slide gasket into coverplate



4 Position coverplate onto system as shown until gasket sits firmly against wall. Utilize a T-square to mark a line on wall flush with coverplate. Remove coverplate and make a second mark parallel to first but  $\frac{1}{8}$ " into joint opening.

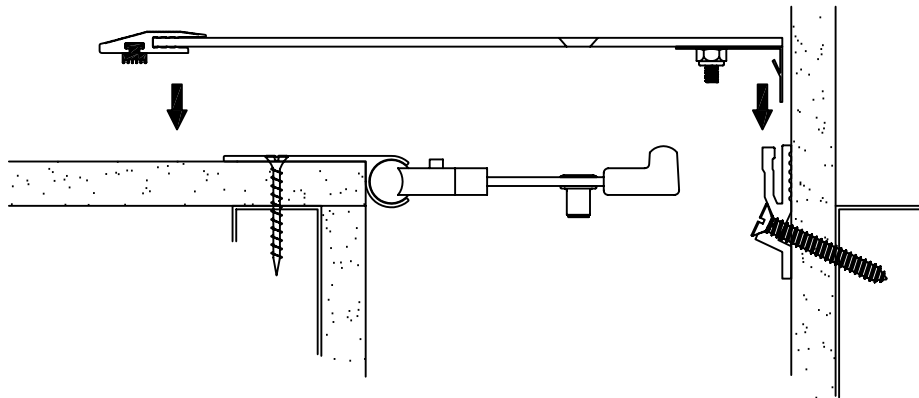


5 A) Position aluminum wall extrusion flush with the second line drawn. Drill through aluminum wall extrusion into adjacent wall at 18" on center.  
 B) Fasten aluminum wall extrusion to wall utilizing the supplied  $\frac{1}{4}$ " x 2" screws supplied.  
 Note: screw must fasten into wall stud.



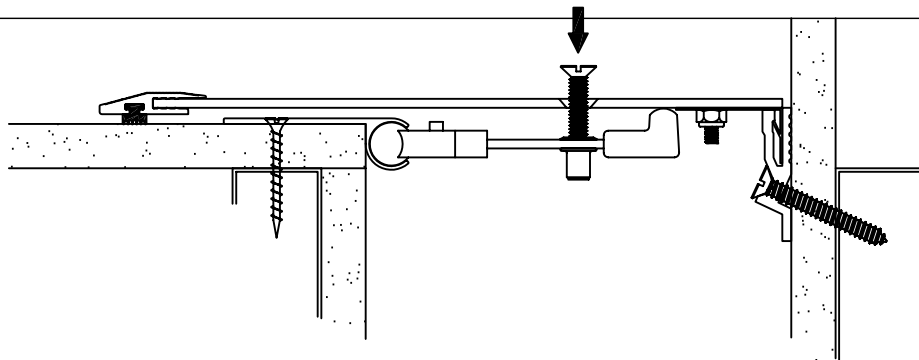
6

As you install aluminum base member sections, slide self-center bars into circular cavities. Make sure that "TOP" indicator is facing out and that all bars are in same orientation. Utilizing duct tape or something similar put a small strip on bar to hold spacing at 24" o.c.



7

Snap lock coverplate with leaf spring assembly into cavity of wall mount.



8

Center coverplate over joint opening, aligning the holes for the self-centering bars over the previously installed bars. Insert the  $\frac{1}{4}$ " x  $1\frac{1}{4}$ " csk flathead machine screw through the cover into self-centering bars. Tighten to create measurable tension in bar.