

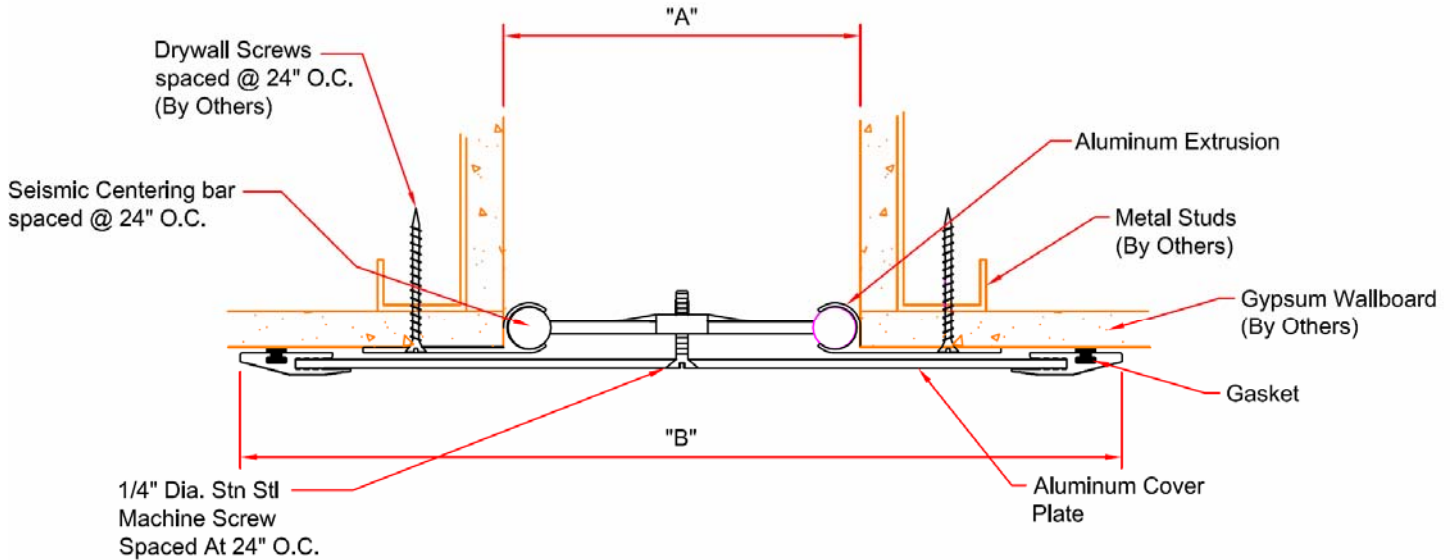


Right to site.

www.nystrom.com

EJ-FCT-400 through EJ-FCT-2400

Expansion Joint Cover System for Walls and Ceilings
Wall-to-Wall or Ceiling-to-Ceiling Condition



EJ-FCT-400 THRU EJ-FCT-2400 DETAIL

WALL-TO-WALL INTERIOR CONDITION

() - Denotes Millimeters

DIMENSION CHART					
MODEL	"A" @ MIN.	"A" @ MID.	"A" @ MAX.	"B"	TOTAL MOVEMENT
EJ-FCT-400	2-1/4"(57)	4"(102)	12"(300)	13-1/2"(343)	9-3/4"(248)
EJ-FCT-600	2-1/4"(57)	6"(152)	12"(300)	13-1/2"(343)	9-3/4"(248)
EJ-FCT-800	2-1/4"(57)	8"(203)	16"(400)	17-1/2"(445)	13-3/4"(349)
EJ-FCT-1000	2-3/4"(70)	10"(254)	20"(508)	21-1/2"(546)	17-1/4"(438)
EJ-FCT-1200	3"(80)	12"(305)	24"(600)	25-1/2"(648)	21"(534)
EJ-FCT-1800	3"(80)	18"(457)	36"(900)	37-1/2"(953)	33"(800)
EJ-FCT-2400	3"(80)	24"(610)	48"(1200)	49-1/2"(1257)	45"(1100)

Note: Minimum And Maximum Values Are After Movement Occurs.
Mid Point Value Is The Recommended Size Of Opening At Installation.



Right to site.

Call: 800-547-2635 Fax: 800-317-8770
USA or Canada
Web: www.nystrom.com
E-mail: info@nystrom.com

PROJECT: _____

CONTRACTOR: _____

ARCHITECT: _____

INITIALS: _____

QTY: _____

DATE: _____

PART NUMBER: _____

- Access Panels
- Floor Hatches
- Roof Hatches
- Smoke Vents
- Louvers
- Expansion Joint Covers