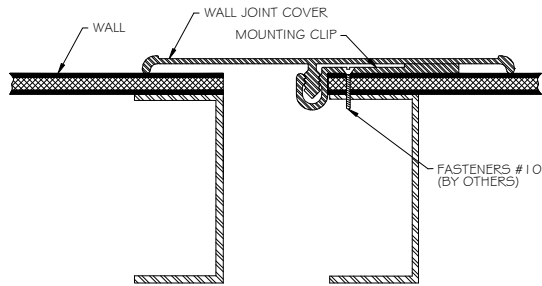
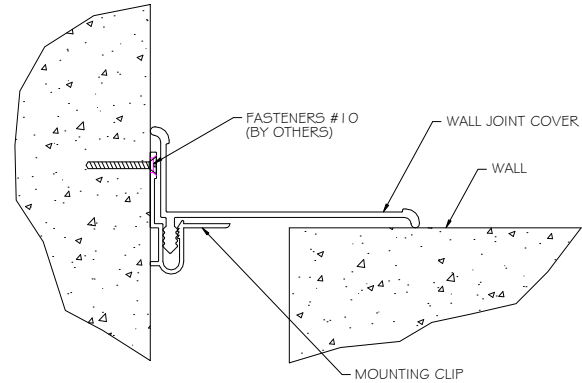


WJ Series Installation Instructions



WJ Series



WJ-W Series

Nystrom supplies these items along with expansion joints:

1. Mounting clips

Materials needed by installer:

1. Electric drill
2. Tape measure or ruler
3. Flathead self-tapping or drywall screws
4. Rubber mallet
5. Chop saw to cut joints to length
6. Plumb bob or level

Installation instructions

1. Measure floor to ceiling height and cut the joint cover to length.
2. Install the mounting clips on one side of the opening, spacing the clips approximately 24.00 inches on center. Use the edge of the joint cover to align the clips and assure that the installation is plumb. For corner condition, align underside of mounting clip to surface of wall.
3. Place the joint cover over the opening, aligning the male portion of the cover with the female portion of the mounting clip. Set the cover using a rubber mallet. Avoid excessive force, which may damage the joint cover.
4. The clear anodized cover may be left fully exposed or the recessed portion may be filled with wall covering, leaving a ¼ inch radius edge exposed.