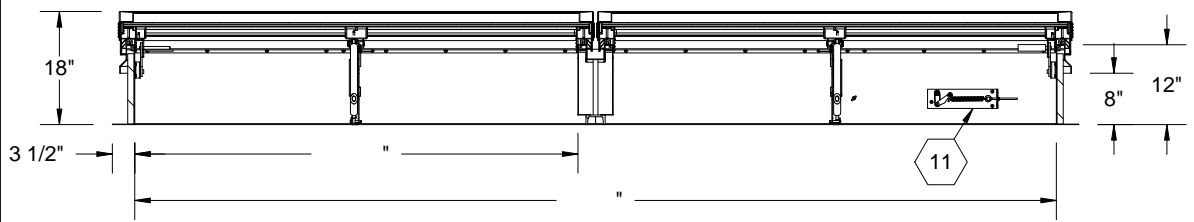
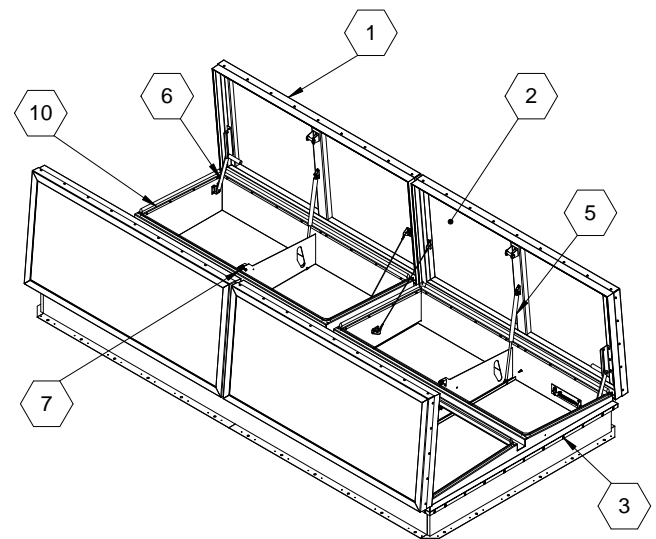


SECTION B-B



SECTION A-A



SPECIFICATIONS:

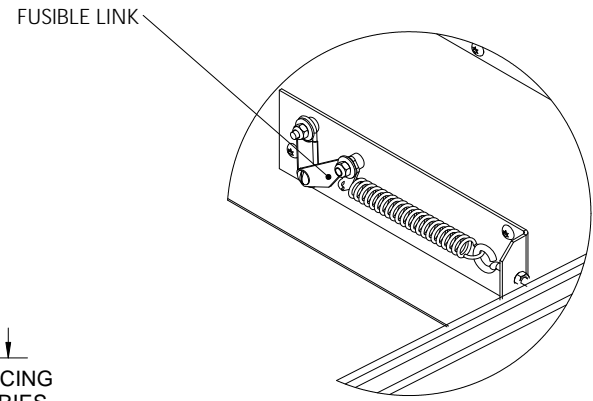
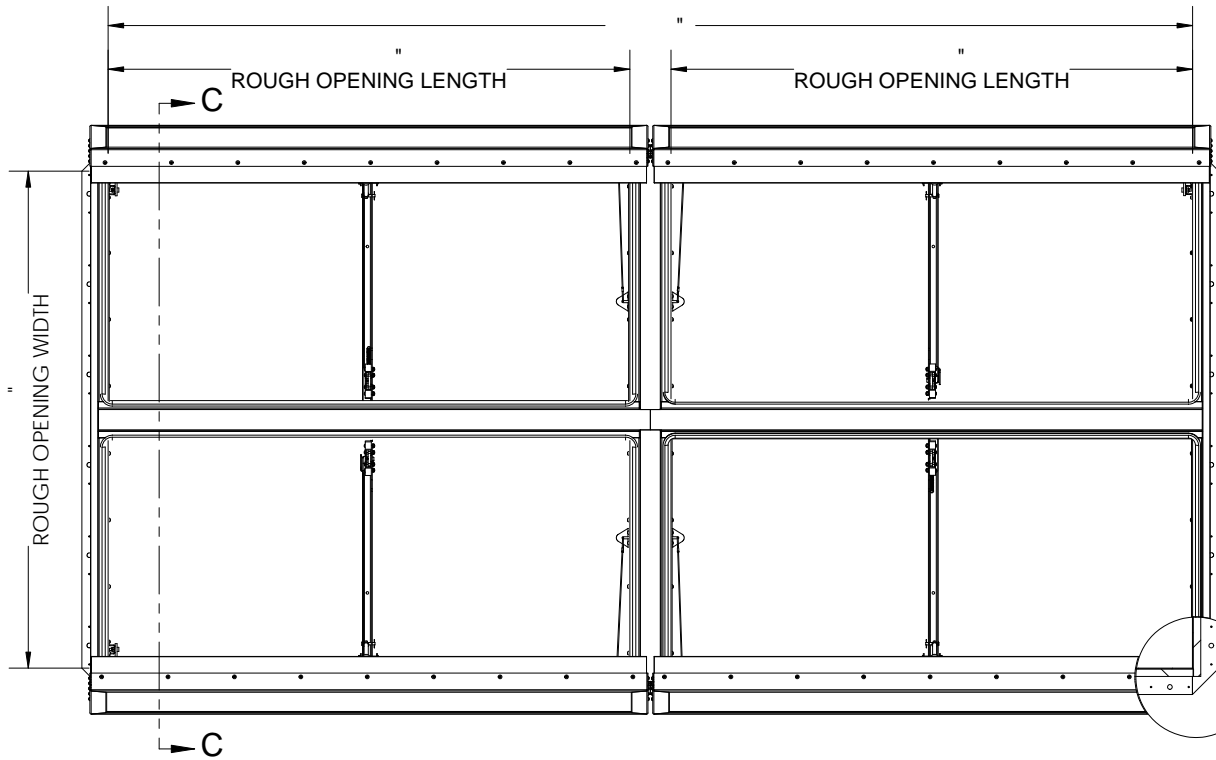
- ① COVER: 11 GAUGE ALUMINUM COVER STIFFENED TO WITHSTAND A LIVE LOAD OF 40 PSF WITH A MAX DEFLECTION OF 1/150 OF THE SPAN
- ② TRANSLUCENT MATERIAL: Multiwall, White
- ③ CURB AND COUNTERFLASH W/ EZ TAB: 14 GAUGE GALVANNEAL
- ④ FINISH: COVER - Mill CURB - POWDER COAT PAINT, ANSI 70 GRAY
- ⑤ GAS SPRING WITH DAMPER: DESIGNED TO OPEN AGAINST A 10PSF SNOW LOAD IN NOT LESS THAN 2 SECONDS
- ⑥ HOLD OPEN ARM: LOCK COVER IN FULLY OPEN POSITION - ZINC PLATED STEEL
- ⑦ LATCH: ZINC PLATED ROTARY LATCH ASSEMBLY DESIGNED TO HOLD COVERS CLOSED AGAINST 90 PSF PSF WIND UPLIFT ZINC PLATED STEEL LATCH STRIKERS ON COVERS

- ⑧ HINGES: ZINC PLATED STEEL WITH STAINLESS STEEL HINGE PINS
- ⑨ INSULATION: 1" POLYISOCYANURATE IN COVER AND AROUND CURBING PERIMETER, R-VALUE 6
- ⑩ GASKET: ADHESIVE BACKED EPDM RUBBER EXTRUSION
- ⑪ THERMAL RELEASE MECHANISM: VENT COVERS OPEN THERMALLY BY HEAT AT FUSIBLE LINK TEMPERATURE °F
- ⑫ MANUAL OPENING: VENT COVERS OPEN WITH INTERNAL AND EXTERNAL MANUAL PULL HANDLE, 1/16" DIA SST CABLE
- ⑬ ELECTRICAL RELEASE: VENT COVERS OPEN ELECTRICALLY WHEN ENERGIZED WITH No Electrical Tie In
- ⑭ BURGLAR BARS: None

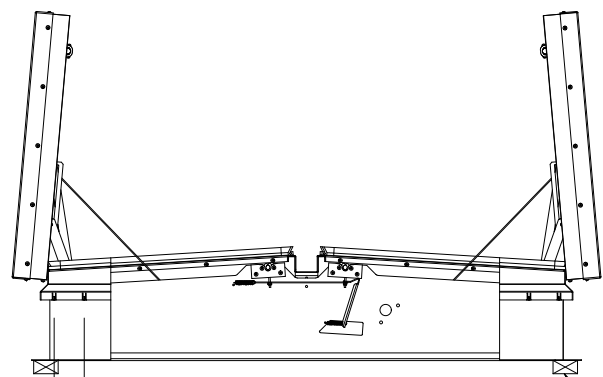
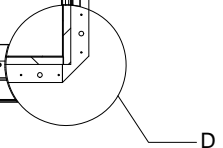
SMOKE VENT SIZE    "(WIDTH) x        "(LENGTH)  
 EFFECTIVE VENTING AREA 80%    SQFT

PROJECT:				
ARCHITECT:				
CONTRACTOR:				
QTY:				
PART#:	SVLB    X    Q1N    R			
<b>NYSTROM</b> Right to site. 9300 73rd Avenue North Brooklyn Park, MN 55428	TITLE: Smoke Vent, Sunlit Series Aluminum, Quad Door, Single Wall Curb Non-Electrical			
NAME	DATE	SIZE	DWG. NO.	REV
DRAWN    SGS	11/23/11	A	SVLB_X_Q1N_R	-
RELEASED    IMT	11/23/11	WEIGHT: VARIES	SHEET 1 OF 2	

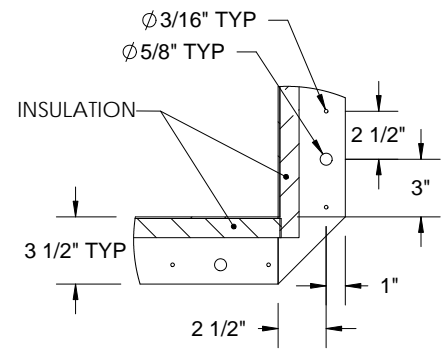
PROPRIETARY AND CONFIDENTIAL: THE INFORMATION CONTAINED IN THIS DRAWING IS THE SOLE PROPERTY OF NYSTROM. ANY REPRODUCTION IN PART OR AS A WHOLE WITHOUT THE WRITTEN PERMISSION OF NYSTROM IS PROHIBITED.



SPACING VARIES 8-15"



E-Z TAB TO SECURE MEMBRANE SPACING VARIES 5"-8"



DETAIL D

CONCRETE/WOOD/OTHER MATERIAL PROVIDED BY OTHER NIC

**SMOKE VENT COVER OPENS WHEN ACTIVATED BY:**

**A. THERMAL RELEASE MECHANISM:** RELEASED BY HEAT WITH A UL LISTED FUSIBLE LINK AT TEMPERATURE °F

**OPTIONS:** 165 °F, 212 °F, 280 °F, 350 °F, 360 °F, 370 °F, 386 °F, 450 °F

**B. MANUAL OPENING:** RELEASED BY EXTERNAL AND INTERNAL PULL CABLES WITH HANDLES AND 5FT OF INTERNAL CABLE PROVIDED

**SMOKE VENT COVER CLOSED MANUALLY FROM ROOFTOP**



Right to site.  
9300 73rd Avenue North  
Brooklyn Park, MN 55428

TITLE:  
Smoke Vent, Sunlit Series  
Aluminum, Quad Door, Single Wall Curb  
Non-Electrical

NAME	DATE	SIZE	DWG. NO.	REV
DRAWN SGS	11/23/11	A	SVLB_X_Q1N_R	-
RELEASED IMT	11/23/11	WEIGHT: VARIES	SHEET 2 OF 2	

PROPRIETARY AND CONFIDENTIAL: THE INFORMATION CONTAINED IN THIS DRAWING IS THE SOLE PROPERTY OF NYSTROM. ANY REPRODUCTION IN PART OR AS A WHOLE WITHOUT THE WRITTEN PERMISSION OF NYSTROM IS PROHIBITED.