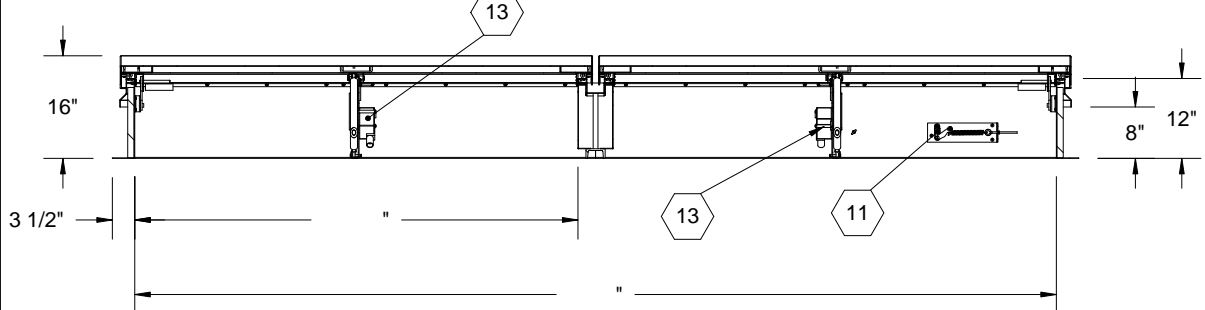
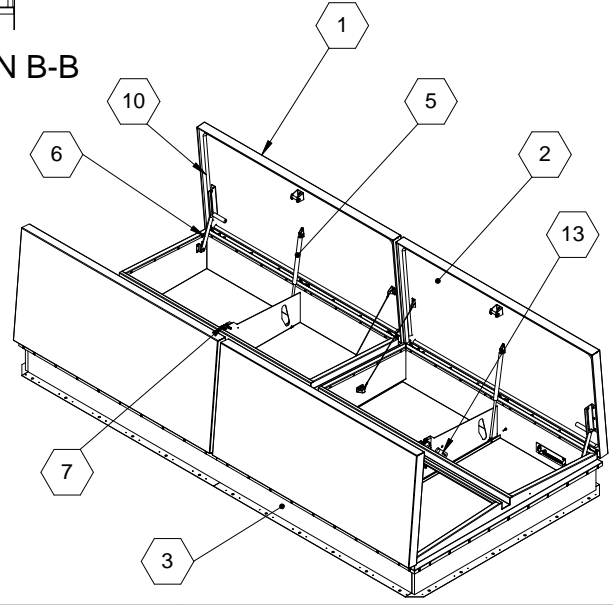


SECTION B-B



SECTION A-A



SPECIFICATIONS:

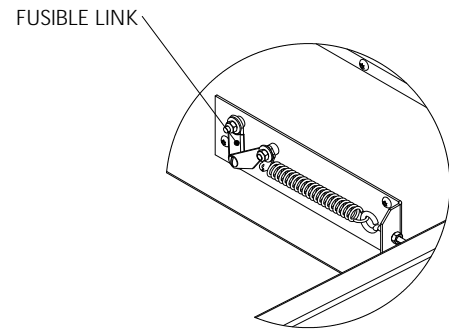
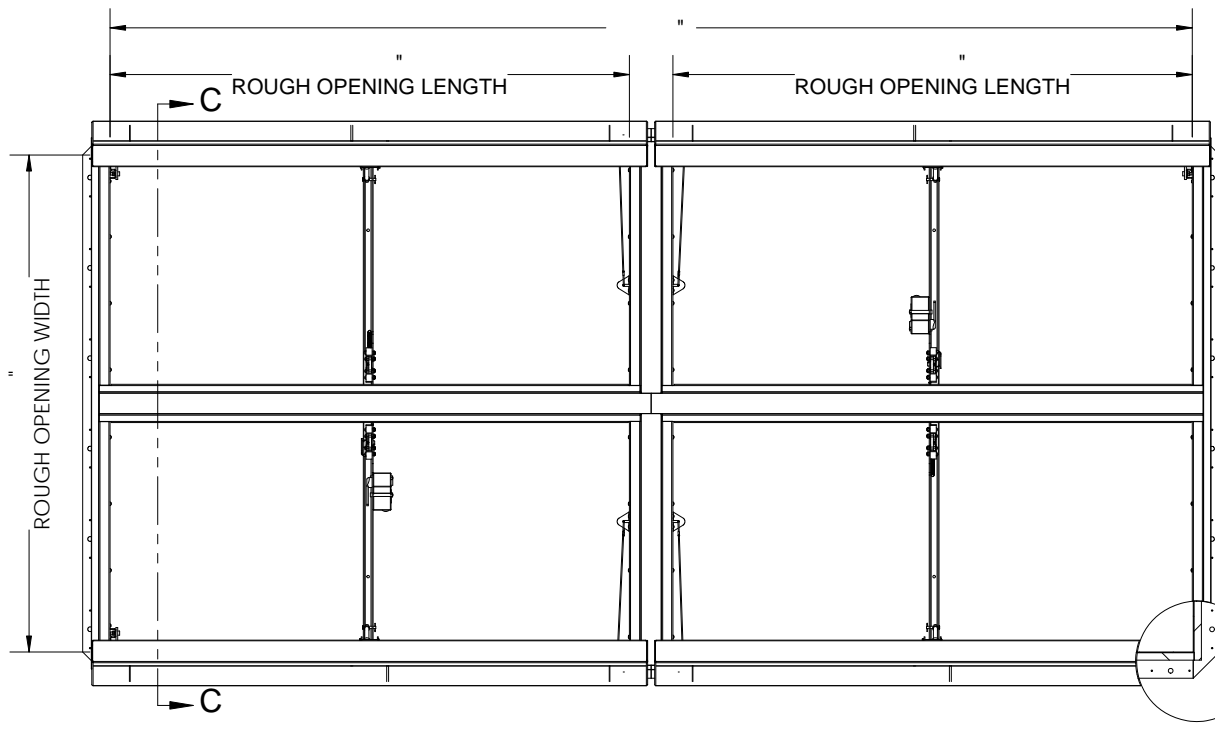
- ① COVER: 14 GAUGE GALVANNEAL COVER STIFFENED TO WITHSTAND A LIVE LOAD OF 40 PSF WITH A MAX DEFLECTION OF A 1/150 OF THE SPAN
- ② LINER: 22 GAUGE GALVANNEAL
- ③ CURB AND COUNTERFLASH W/ EZ TAB: 14 GAUGE GALVANNEAL
- ④ FINISH: COVER - POWDER COAT PAINT, ANSI 70 GRAY
CURB - POWDER COAT PAINT, ANSI 70 GRAY
- ⑤ GAS SPRING WITH DAMPER: DESIGNED TO OPEN AGAINST A 10PSF SNOW LOAD IN NOT LESS THAN 2 SECONDS
- ⑥ HOLD OPEN ARM: LOCK COVER IN FULLY OPEN POSITION - ZINC PLATED STEEL
- ⑦ LATCH: ZINC PLATED ROTARY LATCH ASSEMBLY DESIGNED TO HOLD COVERS CLOSED AGAINST 90 PSF PSF WIND UPLIFT ZINC PLATED STEEL LATCH STRIKERS ON COVERS

- ⑧ HINGES: ZINC PLATED STEEL WITH STAINLESS STEEL HINGE PINS
- ⑨ INSULATION: 1" POLYISOCYANURATE IN COVER AND AROUND CURBING PERIMETER, R-VALUE 6
- ⑩ GASKET: ADHESIVE BACKED EPDM RUBBER EXTRUSION
- ⑪ THERMAL RELEASE MECHANISM: VENT COVERS OPEN THERMALLY BY HEAT AT FUSIBLE LINK TEMPERATURE °F
- ⑫ MANUAL OPENING: VENT COVERS OPEN WITH INTERNAL AND EXTERNAL MANUAL PULL HANDLE, 1/16" DIA SST CABLE
- ⑬ ELECTRICAL RELEASE: VENT COVERS OPEN ELECTRICALLY WHEN ENERGIZED WITH
- ⑭ BURGLAR BARS: NONE

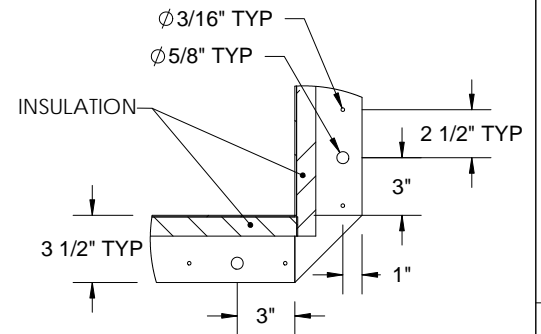
SMOKE VENT SIZE "(WIDTH) x "(LENGTH)
EFFECTIVE VENTING AREA 80% SQFT

PROJECT:				
ARCHITECT:				
CONTRACTOR:				
QTY:				
PART#:	SVSG X Q1 R			
NYSTROM Right to site. 9300 73rd Avenue North Brooklyn Park, MN 55428	TITLE: Smoke Vent, SmokEscape Series Galvanneal, Quad Door, Single Wall Curb, Electrical			
NAME	DATE	SIZE	DWG. NO.	REV
DRAWN SGS	11/23/11	A	SVSG_X_Q1_ _R	-
RELEASED IMT	11/23/11	WEIGHT: VARIES LBS	SHEET 1 OF 2	

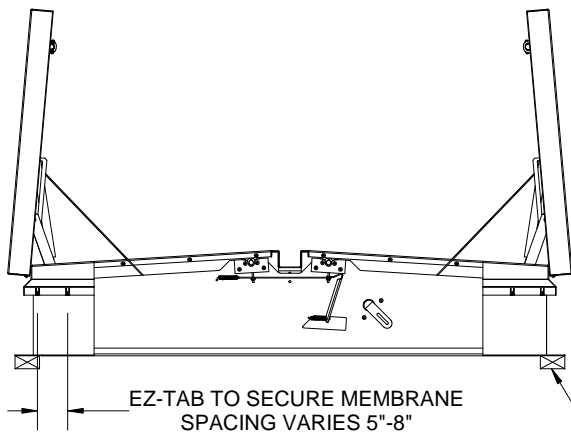
PROPRIETARY AND CONFIDENTIAL: THE INFORMATION CONTAINED IN THIS DRAWING IS THE SOLE PROPERTY OF NYSTROM. ANY REPRODUCTION IN PART OR AS A WHOLE WITHOUT THE WRITTEN PERMISSION OF NYSTROM IS PROHIBITED.



SPACING
VARIES
8-15"



DETAIL D



SECTION C-C

SMOKE VENT COVER OPENS WHEN ACTIVATED BY:

A. THERMAL RELEASE MECHANISM: RELEASED BY HEAT WITH A UL LISTED FUSIBLE LINK AT TEMPERATURE °F

OPTIONS: 165 °F, 212 °F, 280 °F, 350 °F, 360 °F, 370 °F, 386 °F, 450 °F

B. MANUAL OPENING: RELEASED BY EXTERNAL AND INTERNAL PULL CABLES WITH HANDLES AND 5FT OF INTERNAL CABLE PROVIDED

C. ELECTRICAL RELEASE: RELEASED BY A 2.5 WATT UL LISTED ROTARY ACTUATOR WHEN ENERGIZED TO

SMOKE VENT COVER CLOSED MANUALLY FROM ROOFTOP

<p>Right to site. 9300 73rd Avenue North Brooklyn Park, MN 55428</p>			TITLE:		
			Smoke Vent, SmokEscape Series Galvanneal, Quad Door, Single Wall Curb, Electrical		
NAME	DATE	SIZE	DWG. NO.		
DRAWN SGS	11/23/11	A	SVSG_X_Q1_ _R		
RELEASED IMT	11/23/11	WEIGHT: VARIES LBS	SHEET 2 OF 2		