

8

7

6

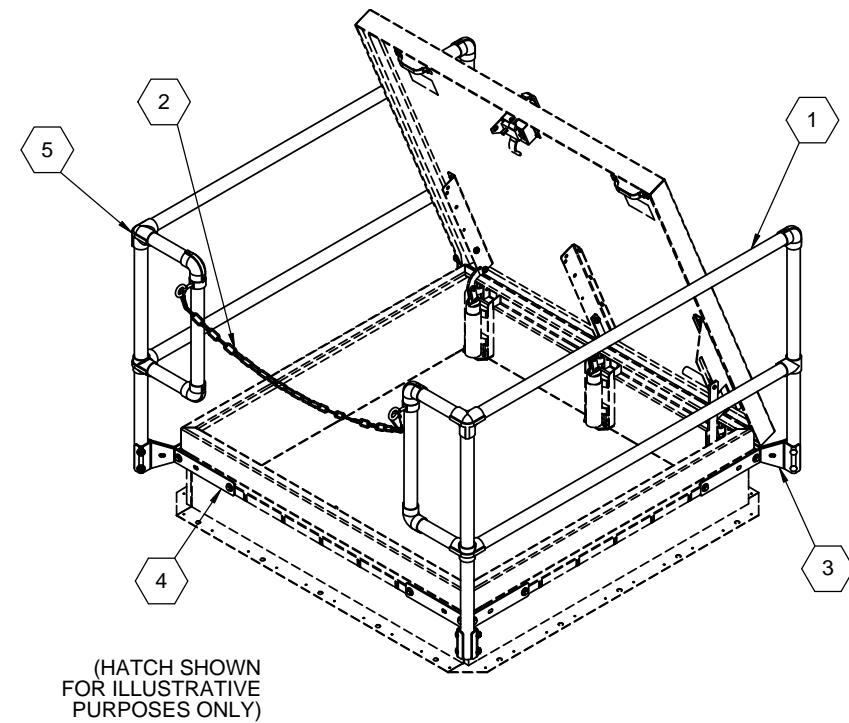
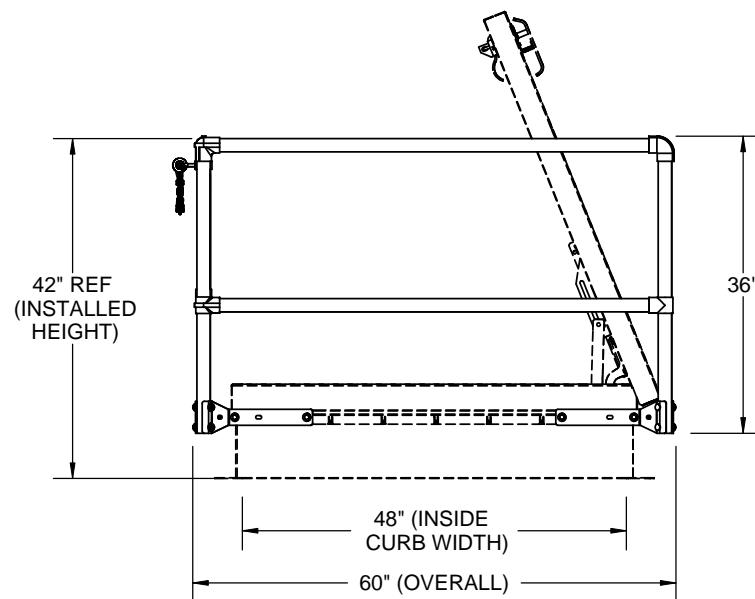
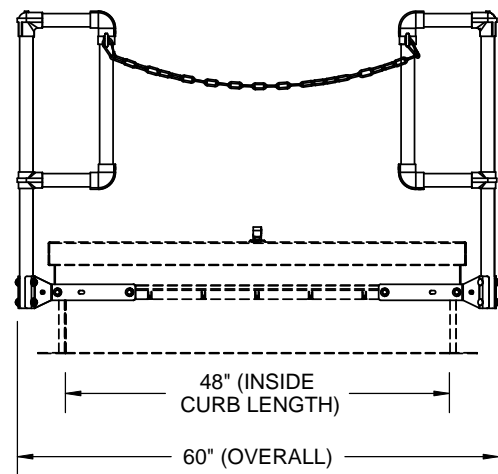
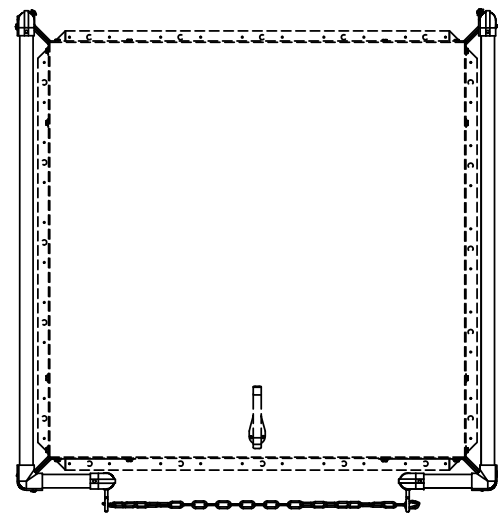
5

4

3

2

1



(HATCH SHOWN FOR ILLUSTRATIVE PURPOSES ONLY)

**SPECIFICATIONS**

- 1 RAILS, POSTS: GALVANIZED PIPE 1 1/4" I.D. SCH 40 A53 GRADE B SEAMED STEEL
- 2 CHAIN: ZINC PLATED WITH SPRING CLIPS
- 3 COUNTERFLASH MOUNTING BRACKETS: 3/16" ZINC PLATED STEEL FASTENED TO STEEL BACKING PLATE
- 4 BOLTS: HEX HEAD BOLTS 3/8"-16 x 3/4" GRADE 5 ZINC PLATED
- 5 RAILING FITTINGS AND PLUGS: MANUFACTURER'S STANDARD CAST WITH SET SCREW HOLD

FITS HATCH SIZES UP TO 48" X 48", FOR SMALLER HATCH SIZES CUT RAILS TO LENGTH IN FIELD

CERTIFICATIONS: MEETS OSHA 29 CFR 1910.23 GUARDING FOR OPENINGS REQUIREMENTS; SUPPORTS 200 LBS. FORCE

PATENT PENDING

**SRCG48X48FC**

<p>Right to site. 9300 73rd Avenue North Brooklyn Park, MN 55428</p>		TITLE:		Safety Railings for Roof Hatch 48x48, Front Exit, Steel, Galvanized, Chains	
		NAME	DATE	SIZE	DWG. NO.
DRAWN	DKL	10/12/09	<b>B</b>	<b>SRCG48X48FC</b>	<b>A</b>
RELEASED	-	-	WEIGHT: 607.36		SHEET 1 OF 2

8

7

6

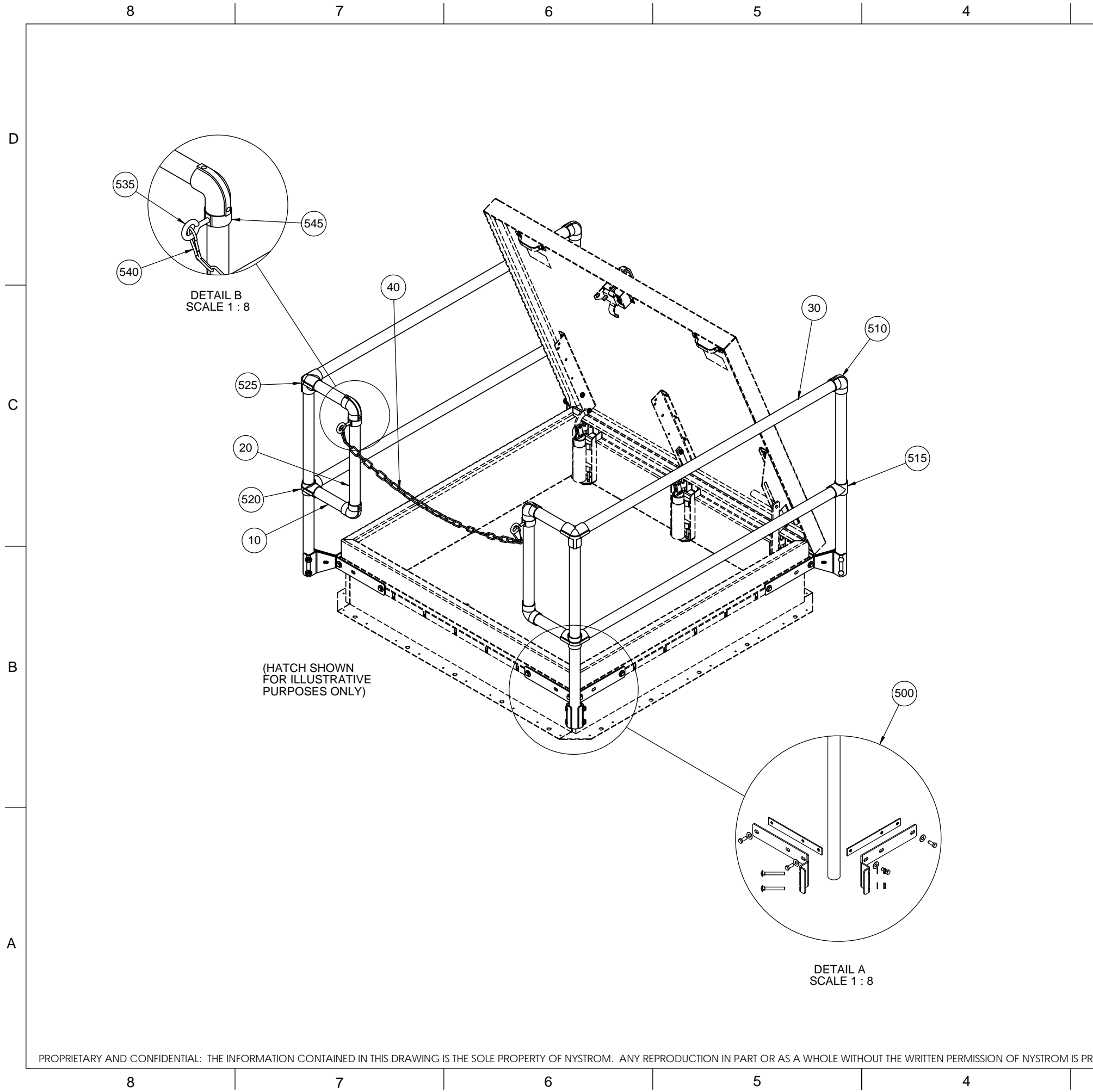
5

4

3

2

1



ITEM NO.	PART NUMBER	DESCRIPTION	QUANTITY
10	27258-8.00	RAIL, 1-1/4" X 8.00L,	4
20	27258-18.00	RAIL, 1-1/4" X 18.00L,	2
30	27258-55.75	RAIL, 1-1/4" X 55.75L,	4
40	1985-36.00	CHAIN, SAFETY, STL, ZPS	1
500	27180	PKG, CORNER POST, ZPS,	4
510	27185	FTG, ELBOW,	6
515	27188	FTG, TEE,	2
520	27186	FTG, CROSS ELBOW,	2
525	27231	FTG, DBL TEE,	2
535	27260	BOLT, LIFTING EYE, 3/8-16,	2
540	27266	SPRING, CLIP 2, ZINC	2
545	27261	FTG, No. 78 SHORT COLLAR,	2

**SRCG48X48FC**



Right to site.  
9300 73rd Avenue North  
Brooklyn Park, MN 55428

TITLE: Safety Railings for Roof Hatch  
48x48, Front Exit,  
Steel, Galvanized, Chains

	NAME	DATE
DRAWN	DKL	10/12/09
RELEASED	-	-

SIZE	DWG. NO.	REV
<b>B</b>	<b>SRCG48X48FC</b>	<b>A</b>
WEIGHT: 607.36		SHEET 2 OF 2