

8

7

6

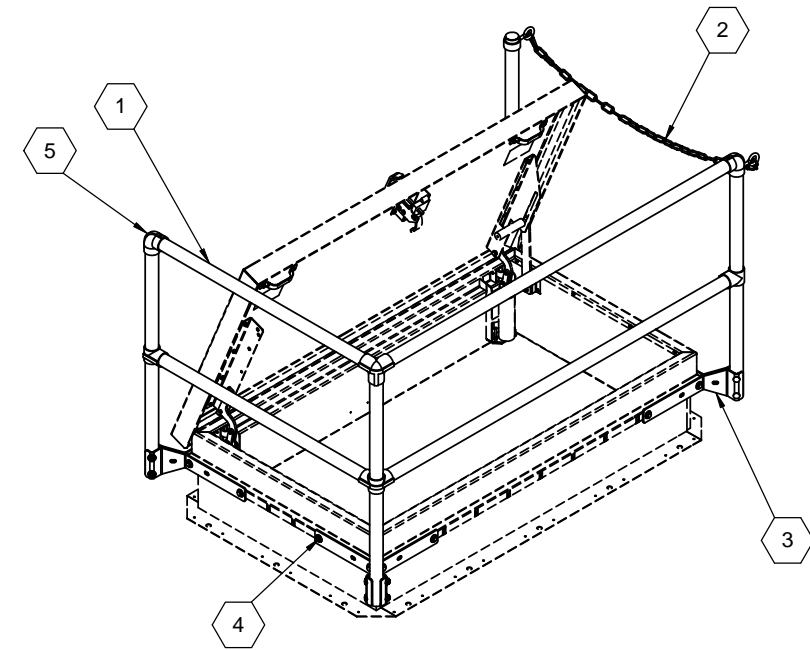
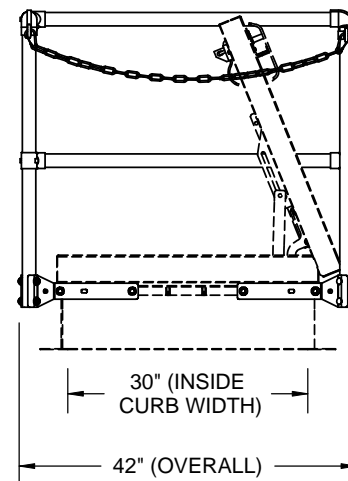
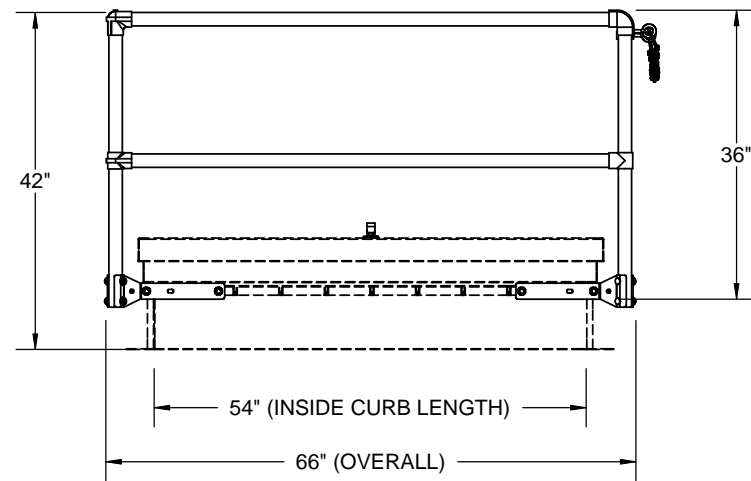
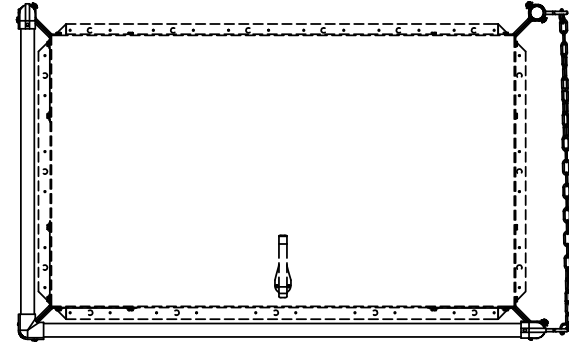
5

4

3

2

1



(HATCH SHOWN FOR ILLUSTRATIVE PURPOSES ONLY)

SPECIFICATIONS


- 1 RAILS, POSTS: GALVANIZED PIPE 1 1/4" I.D. SCH 40 A53 GRADE B SEAMED STEEL
- 2 CHAIN: ZINC PLATED WITH SPRING CLIPS
- 3 COUNTERFLASH MOUNTING BRACKETS: 3/16" ZINC PLATED STEEL FASTENED TO STEEL BACKING PLATE
- 4 BOLTS: HEX HEAD BOLTS 3/8"-16 x 3/4" GRADE 5 ZINC PLATED
- 5 RAILING FITTINGS AND PLUGS: MANUFACTURER'S STANDARD CAST WITH SET SCREW HOLD

FITS HATCH SIZES UP TO 30" X 54", FOR SMALLER HATCH SIZES CUT RAILS TO LENGTH IN FIELD

CERTIFICATIONS: MEETS OSHA 29 CFR 1910.23 GUARDING FOR OPENINGS REQUIREMENTS; SUPPORTS 200 LBS. FORCE

PATENT PENDING

SRCG30X54SC

 Right to site. 9300 73rd Avenue North Brooklyn Park, MN 55428		TITLE:		Safety Railings for Roof Hatch 30x54, Side Exit, Sngl Door Steel, Galvanized, Chains	
		NAME	DATE		SIZE
DRAWN	DKL	10/06/09	B	SRCG30X54SC	A
RELEASED	-	-	WEIGHT: 509.00		SHEET 1 OF 2

8

7

6

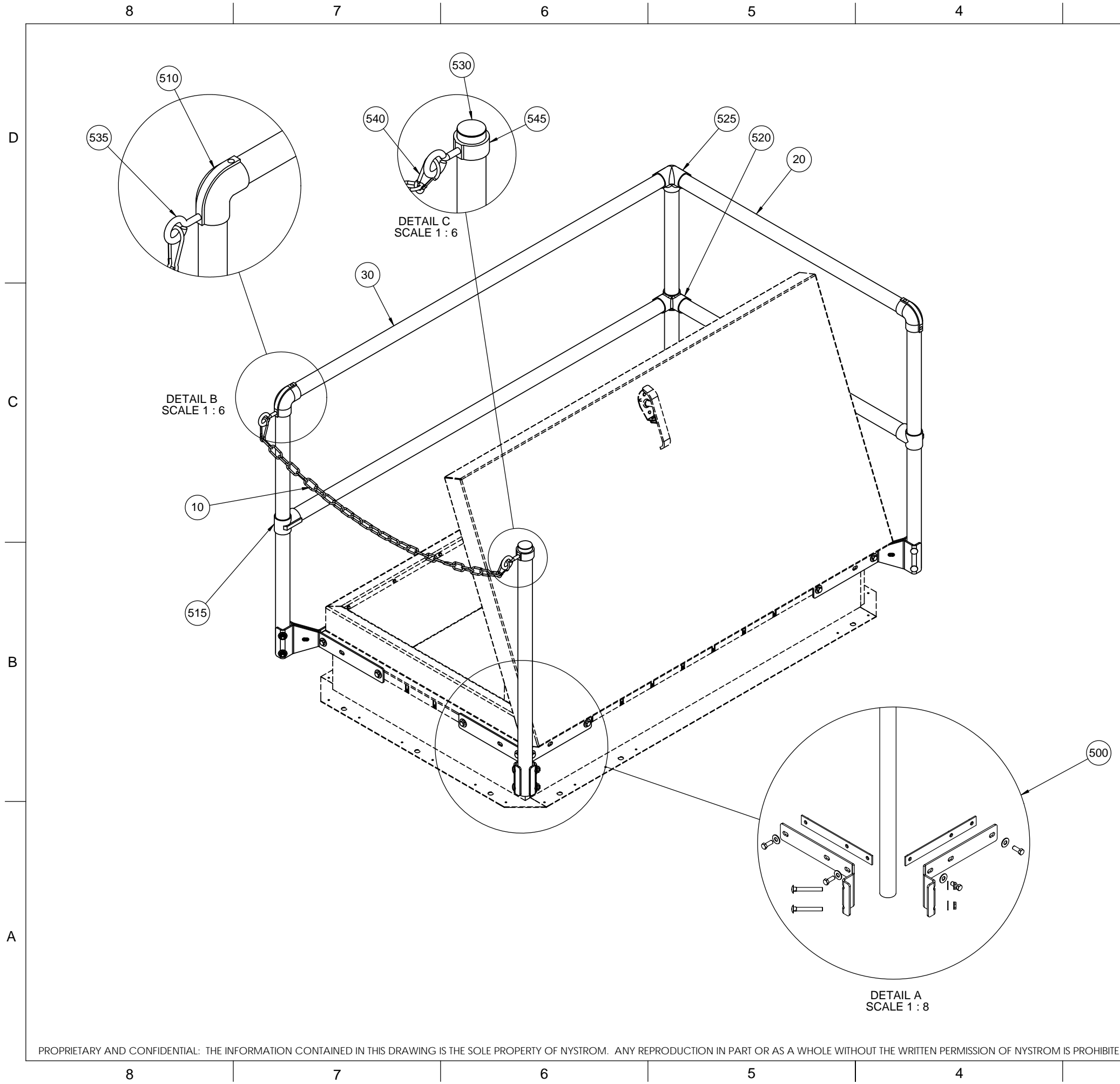
5

4

3

2

1



ITEM NO.	PART NUMBER	DESCRIPTION	QUANTITY
10	1985-36.00	CHAIN, SAFETY, STL, ZPS	1
20	27258-37.75	RAIL, 1-1/4" X 37.75L,	2
30	27258-61.50	RAIL, 1-1/4" X 61.50L,	2
500	27180	PKG, CORNER POST, ZPS,	4
510	27185	FTG, ELBOW,	2
515	27188	FTG, TEE,	2
520	27186	FTG, CROSS ELBOW,	1
525	27231	FTG, DBL TEE,	1
530	27189	FTG, END CAP	1
535	27260	BOLT, LIFTING EYE, 3/8-16,	2
540	27266	SPRING, CLIP 2, ZINC	2
545	27261	FTG, No. 78 SHORT COLLAR,	1

SRCG30X54SC

NYSTROM
 Right to site.
 9300 73rd Avenue North
 Brooklyn Park, MN 55428

TITLE:		Safety Railings for Roof Hatch 30x54, Side Exit, Sngl Door Steel, Galvanized, Chains		
NAME	DATE	SIZE	DWG. NO.	REV
DRAWN	DKL	10/06/09	B SRCG30X54SC	A
RELEASED	-	-	WEIGHT: 509.00	SHEET 2 OF 2

PROPRIETARY AND CONFIDENTIAL: THE INFORMATION CONTAINED IN THIS DRAWING IS THE SOLE PROPERTY OF NYSTROM. ANY REPRODUCTION IN PART OR AS A WHOLE WITHOUT THE WRITTEN PERMISSION OF NYSTROM IS PROHIBITED.