

SECTION B-B

SPECIFICATIONS:

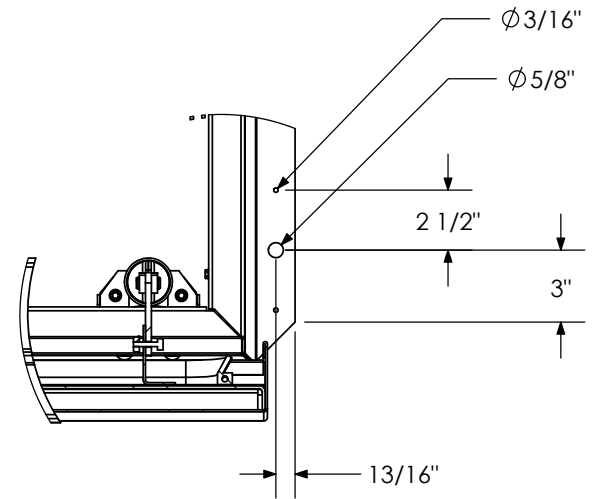
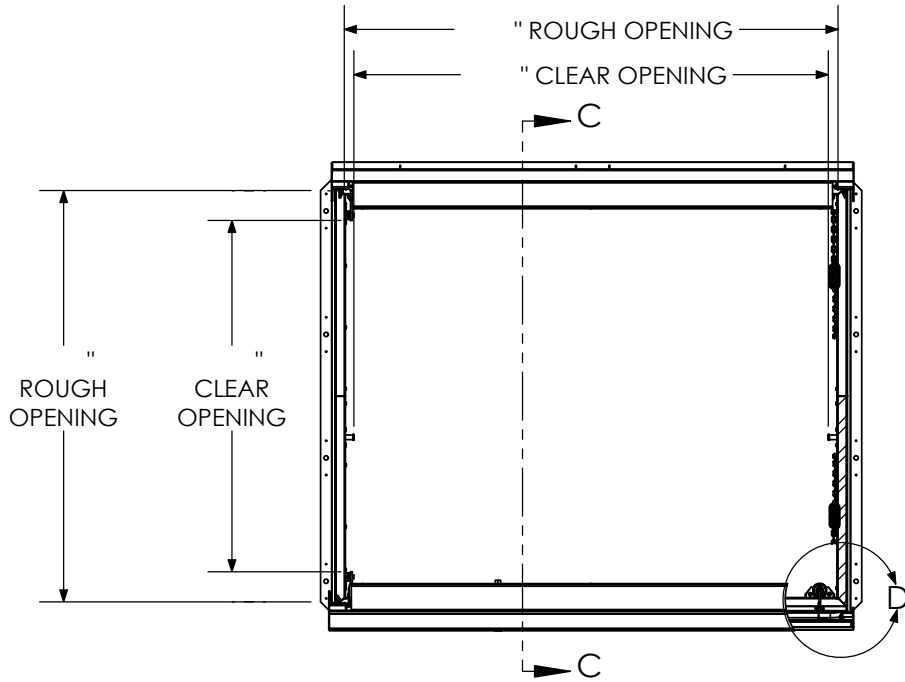
- ① COVER: 11 GA ALUM COVER STIFFENED TO WITHSTAND A LIVE LOAD OF 40PSF WITH A MAX DEFLECTION OF 1/150 OF THE SPAN
- ② LINER: 18 GA ALUM
- ③ CURB AND COUNTERFLASH W/ EZ TAB:  
11 GA ALUM  
4 FINISH: MILL FINISH
- ⑤ SPRING/HINGE ASSEMBLY: ZINC PLATED STEEL TAMPER-PROOF HINGE CONTAINED WITHIN SPRING/HINGE ASSEMBLY. TELESCOPIC TUBES CONTAIN COIL STEEL COMPRESSION SPRINGS FOR LIFT ASSISTANCE
- ⑥ HOLD OPEN ARM: LOCKS COVER IN FULLY OPEN POSITION  
ZINC PLATED STEEL WITH RED VINYL GRIP HANDLE PULL RELEASE
- ⑦ LATCH: 2 POINT ROTARY LATCH LATCH HOLDS COVER CLOSED AGAINST 20PSF WIND UPLIFT. INTERNAL AND EXTERNAL TURN HANDLES WITH PADLOCK HASPS

- ⑧ INSULATION:  
1" POLYSTYRENE (R4) IN COVER, AND 1" FIBERBOARD (R2.8) IN CURB
- ⑨ GASKET: ADHESIVE BACKED EPDM RUBBER EXTRUSION  
10 WIDTH DIMENSION IS MEASURED HINGE TO HINGE  
LENGTH DIMENSION IS MEASURED HINGED SIDE

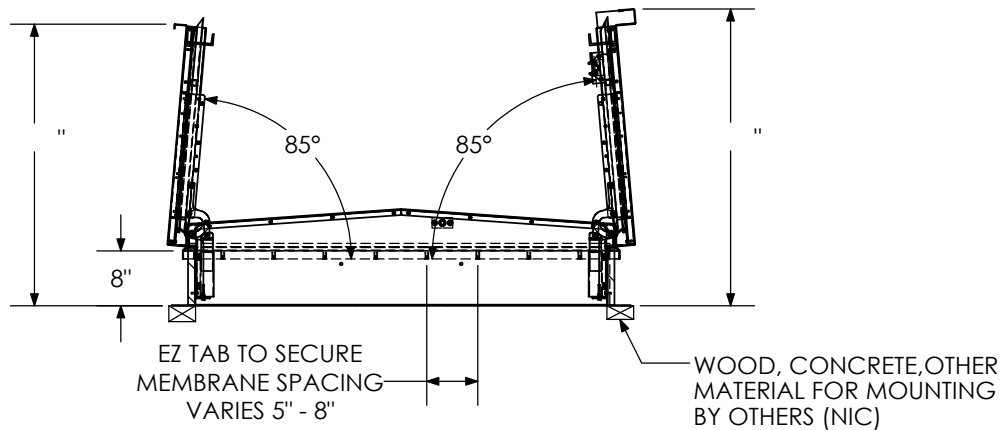
ROOF HATCH SIZE	" (WIDTH) x	" (LENGTH)
CLEAR OPENING	" (WIDTH) x	" (LENGTH)
ROUGH OPENING	" (WIDTH) x	" (LENGTH)

PROPRIETARY AND CONFIDENTIAL: THE INFORMATION CONTAINED IN THIS DRAWING IS THE SOLE PROPERTY OF NYSTROM. ANY REPRODUCTION IN PART OR AS A WHOLE WITHOUT THE WRITTEN PERMISSION OF NYSTROM IS PROHIBITED.

PROJECT:					
ARCHITECT:					
CONTRACTOR:					
QTY:					
PART#:					
 Right to site. 9300 73rd Avenue North Brooklyn Park, MN 55428	TITLE: Roof Hatch, Equipment Access, Dbl Dr,Zinc Hdw, Alum, Mill, Sngl Wall Curb,				
	NAME	DATE	SIZE	DWG. NO.	REV
DRAWN	ELW	9/14/12	A		A
RELEASED	-	-	WEIGHT: VARIES		SHEET 1 OF 2



DETAIL D



SECTION C-C

<p>Right to site. 9300 73rd Avenue North Brooklyn Park, MN 55428</p>			TITLE: Roof Hatch, Equipment Access, 60x72, Dbl Dr, Alum, Mill, Sngl Wall Curb,		
NAME	DATE	SIZE	DWG. NO.	REV	
DRAWN	DWO	9/13/2012	A	RHEA60X72D1T	A
RELEASED	-	-	WEIGHT: 279.3		SHEET 2 OF 2