

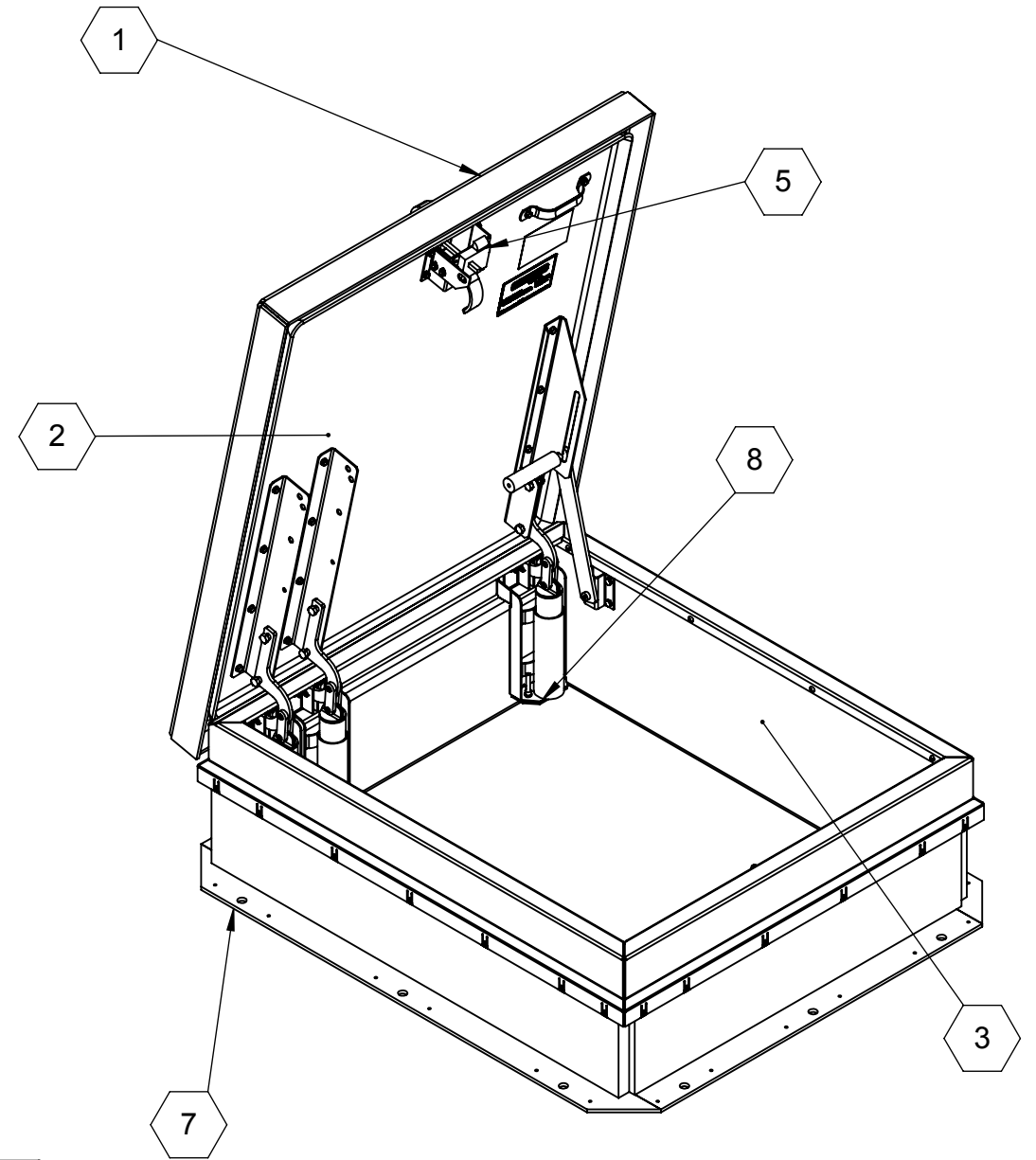
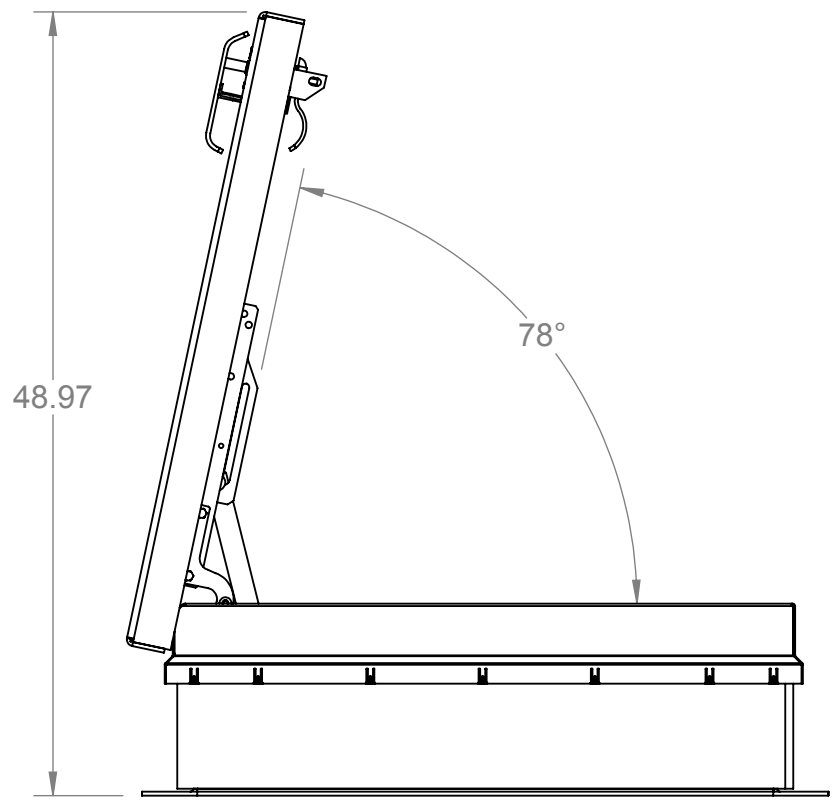
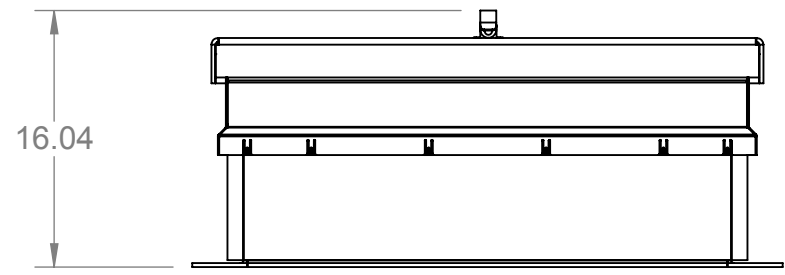
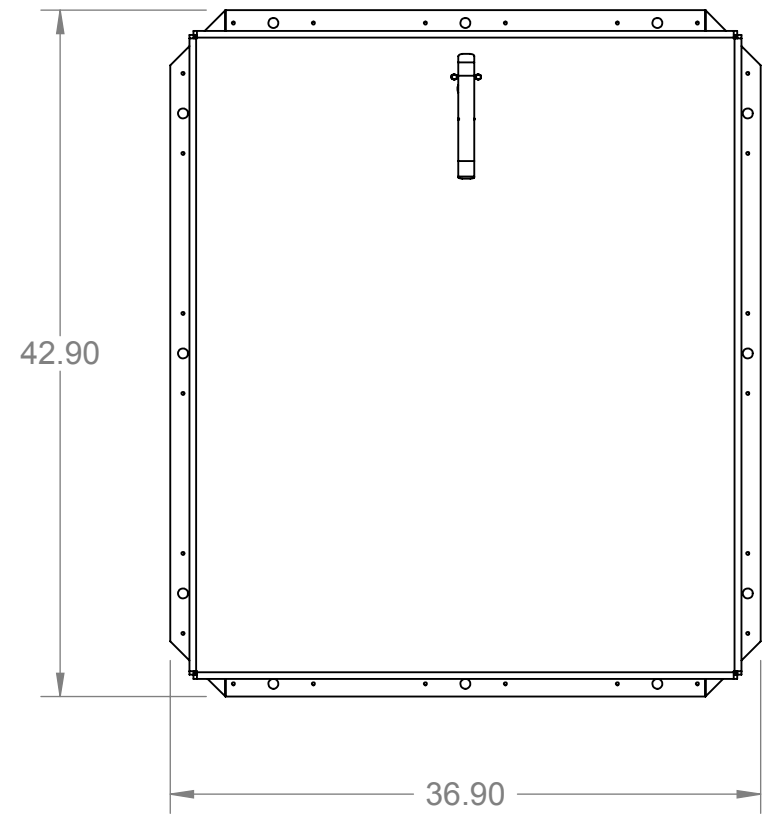
8 7 6 5 4 3 2 1

D

C

B

A



- ① COVER - 1/4" ALUMINUM COVER STIFFENED TO WITHSTAND A LIVE LOAD OF 40 PSF WITH A MAX DEFLECTION OF 1/150 OF THE SPAN. COVER WITHSTANDS A MAX WIND UPLIFT OF 20 PSF.
- ② LINER - 18 GAUGE ALUMINUM
- ③ CURB - 1/4" ALUMINUM
- 4. HARDWARE - ZINC PLATED STEEL
- ⑤ LATCH - SINGLE POINT LATCH WITH PROVISION FOR PADLOCK SECURITY

- ⑥ INSULATION - 1" THICK IN COVER AND 1" THICK ON CURB PERIMETER
- ⑦ MOUNTING FLANGE - 3.45 INCHES
- ⑧ HINGE - ZINC PLATED STEEL TAMPER PROOF HINGE CONTAINED WITHIN HATCH AS PART OF SPRING ASSEMBLY
- 9. SPRING - GREASED HEAVY DUTY COMPRESSION SPRING.
- 10. FINISH - MILL FINISH
- 11. CURB OPENING - 36 X 30 INCHES MEASURE INSIDE CURB TO INSIDE CURB

### RHSA36X30S1T



Right to site.  
9300 73rd Avenue North  
Brooklyn Park, MN 55428

TITLE:		Roof Hatch, Security Series, 36x30, Sngl Dr, Alum, Mill, Sngl Wall Curb,		
NAME	DATE	SIZE	DWG. NO.	REV
DRAWN	DWO	11/22/10	<b>B</b>	RHSA36X30S1T
RELEASED	DWO	11/22/10	WEIGHT: 126.43	SHEET 20 OF 21

PROPRIETARY AND CONFIDENTIAL: THE INFORMATION CONTAINED IN THIS DRAWING IS THE SOLE PROPERTY OF NYSTROM. ANY REPRODUCTION IN PART OR AS A WHOLE WITHOUT THE WRITTEN PERMISSION OF NYSTROM IS PROHIBITED.

8 7 6 5 4 3 2 1

8

7

6

5

4

3

2

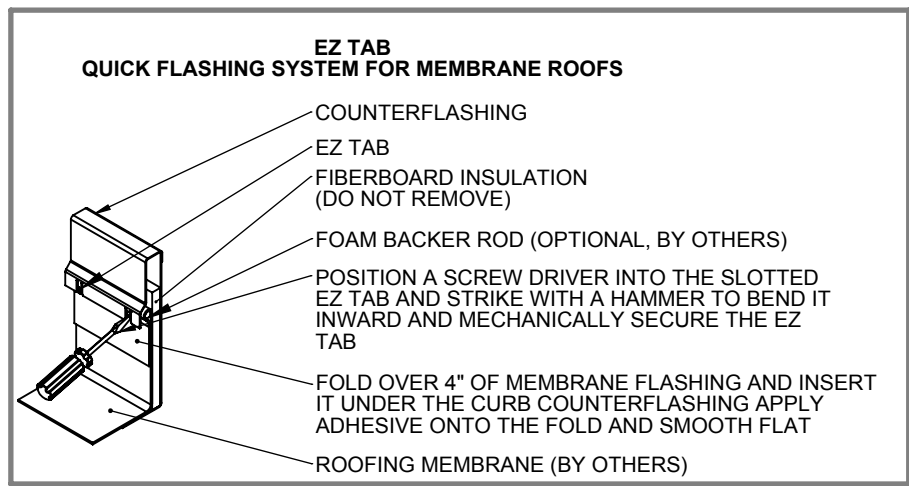
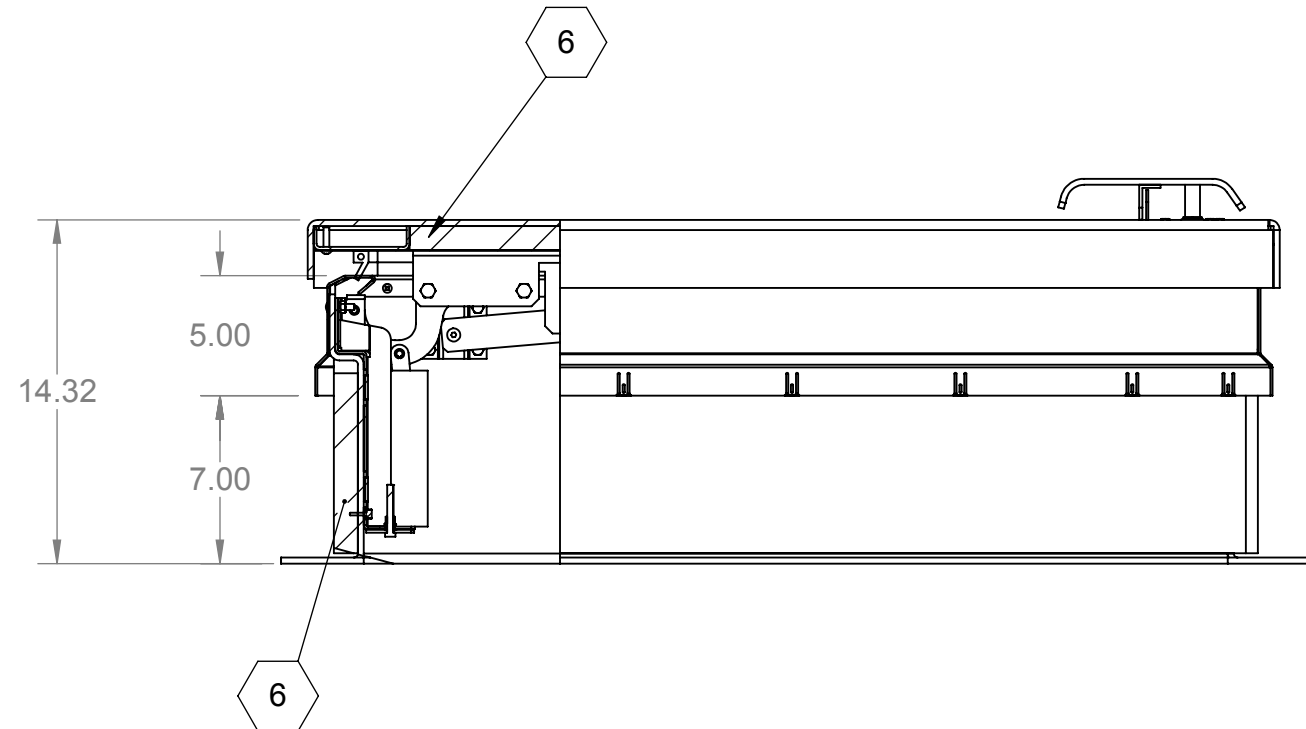
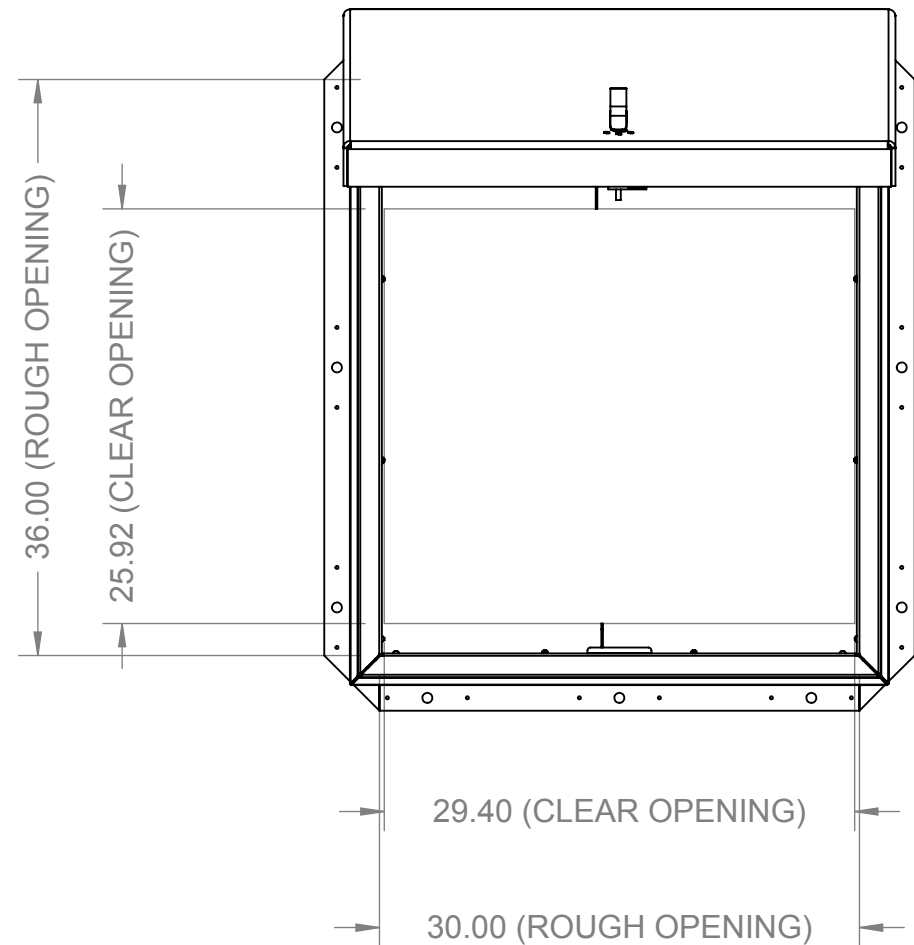
1

D

C

B

A



PROPRIETARY AND CONFIDENTIAL: THE INFORMATION CONTAINED IN THIS DRAWING IS THE SOLE PROPERTY OF NYSTROM. ANY REPRODUCTION IN PART OR AS A WHOLE WITHOUT THE WRITTEN PERMISSION OF NYSTROM IS PROHIBITED.

**RHSA36X30S1T**



Right to site.  
9300 73rd Avenue North  
Brooklyn Park, MN 55428

TITLE:		Roof Hatch, Security Series, 36x30, Sngl Dr, Alum, Mill, Sngl Wall Curb,		
SIZE	DWG. NO.	REV		
<b>B</b>	<b>RHSA36X30S1T</b>	<b>A</b>		
WEIGHT: 126.43		SHEET 21 OF 21		

	NAME	DATE
DRAWN	DWO	11/22/10
RELEASED	DWO	11/22/10

8

7

6

5

4

3

2

1