

8

7

6

5

4

3

2

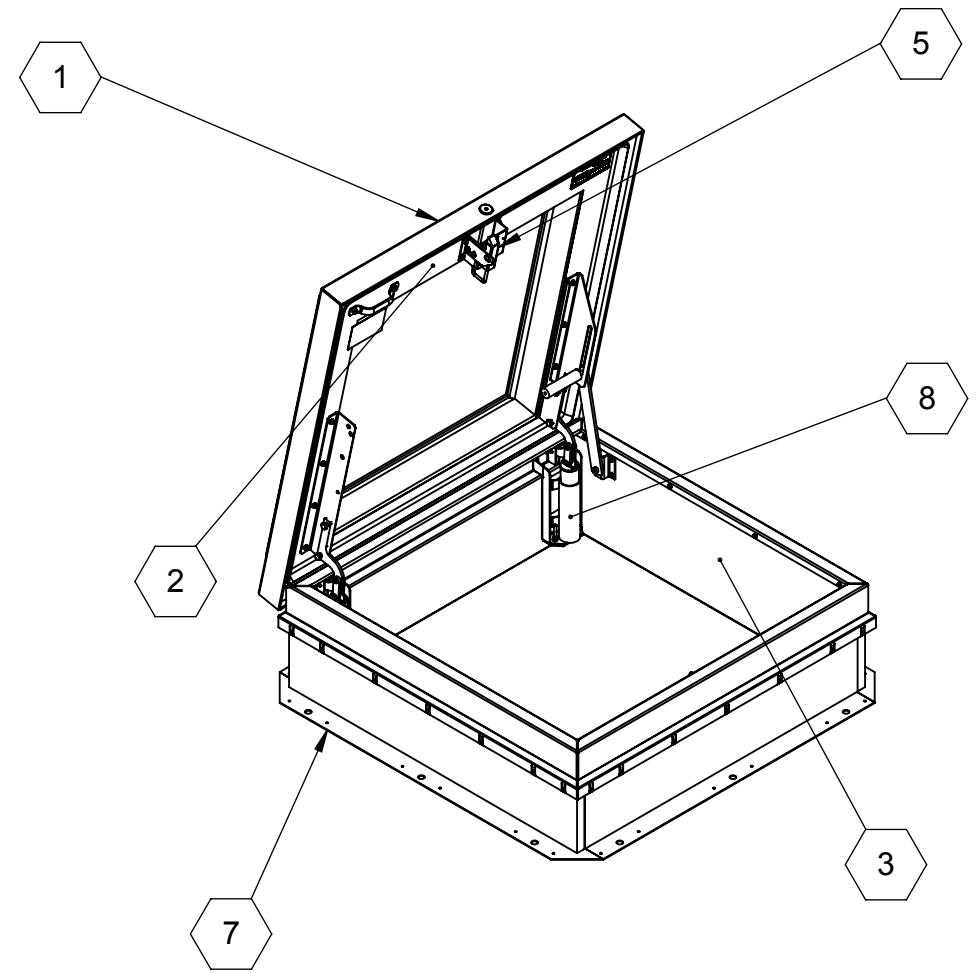
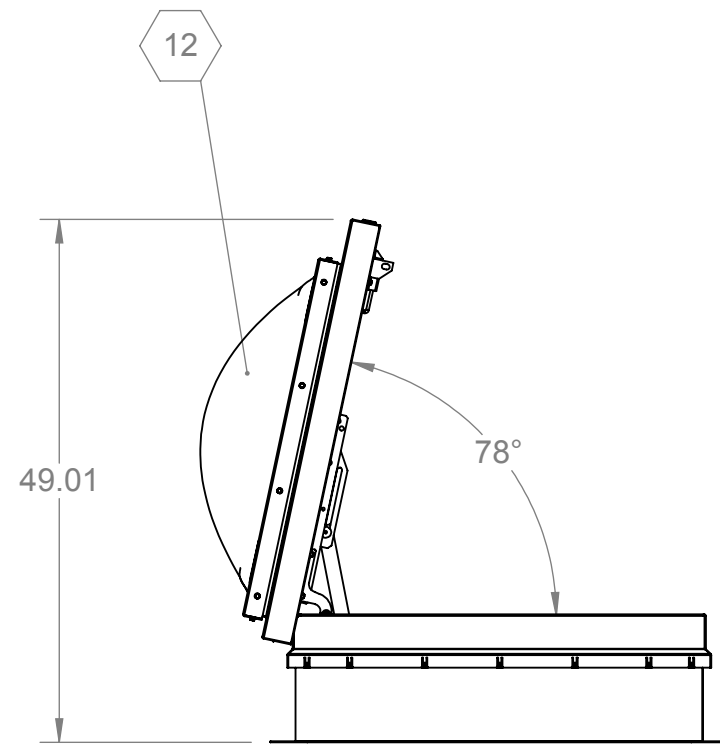
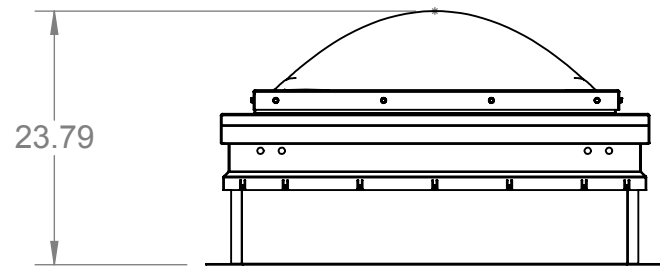
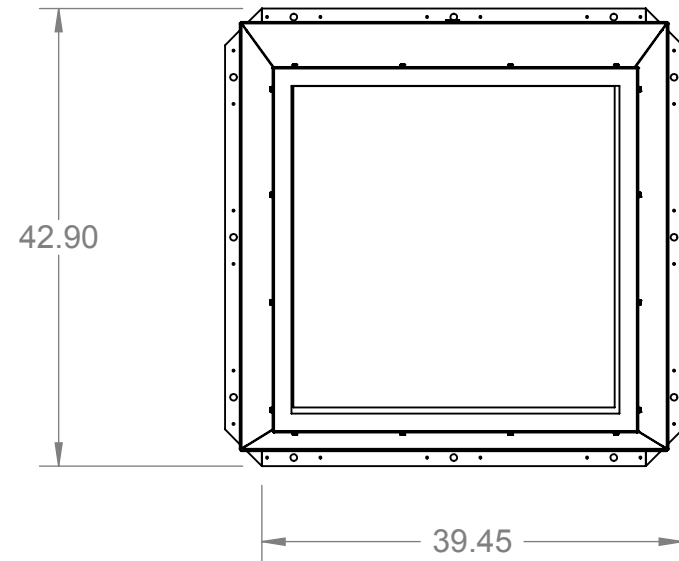
1

D

C

B

A



- ① COVER - 11 GAUGE ALUMINUM COVER. COVER WITHSTANDS A MAX WIND UPLIFT OF 20 PSF.
- ② LINER - 18 GAUGE ALUMINUM
- ③ CURB - 11 GAUGE ALUMINUM
- ④ HARDWARE - ZINC PLATED STEEL
- ⑤ LATCH - SINGLE POINT LATCH WITH PROVISION FOR PADLOCK SECURITY

- ⑥ INSULATION - 1" THICK IN COVER AND 1" THICK ON CURB PERIMETER
- ⑦ MOUNTING FLANGE - 3.50 INCHES
- ⑧ HINGE - ZINC PLATED STEEL TAMPER PROOF HINGE CONTAINED WITHIN HATCH AS PART OF SPRING ASSEMBLY
- ⑨ SPRING - GREASED HEAVY DUTY COMPRESSION SPRING.
- ⑩ FINISH - MILL FINISH
- ⑪ CURB OPENING - 36 X 36 INCHES MEASURE INSIDE CURB TO INSIDE CURB
- ⑫ SINGLE CLEAR POLYCARBONATE DOME

RHLA36X36S1P



Right to site.
9300 73rd Avenue North
Brooklyn Park, MN 55428

TITLE: Roof Hatch, SunLit Series,
36x36, Sngl Dr,
Alum, Mill, Sgl Wall Curb,

	NAME	DATE	SIZE	DWG. NO.	REV
DRAWN	DWO	07/14/09	B	RHLA36X36S1P	A
RELEASED	DWO	07/14/09	WEIGHT: 144.84	SHEET 24 OF 25	

PROPRIETARY AND CONFIDENTIAL: THE INFORMATION CONTAINED IN THIS DRAWING IS THE SOLE PROPERTY OF NYSTROM. ANY REPRODUCTION IN PART OR AS A WHOLE WITHOUT THE WRITTEN PERMISSION OF NYSTROM IS PROHIBITED.

8

7

6

5

4

3

2

1

D

C

B

A

8

7

6

5

4

3

2

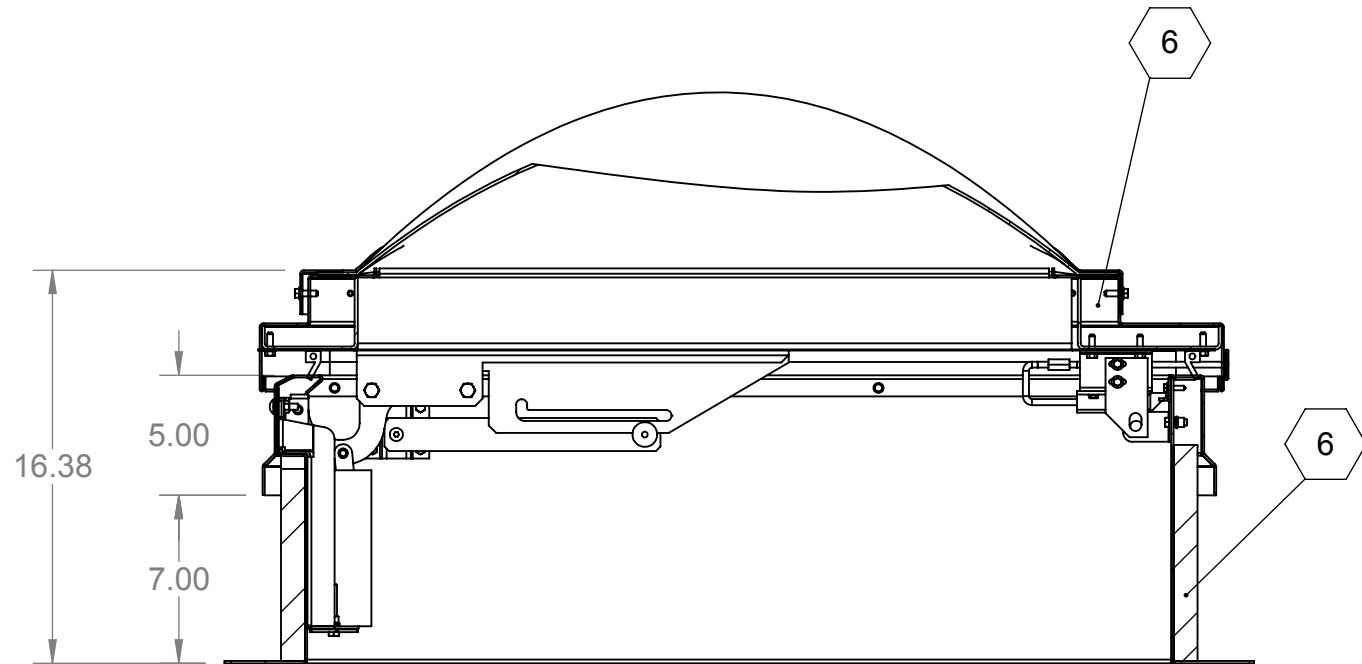
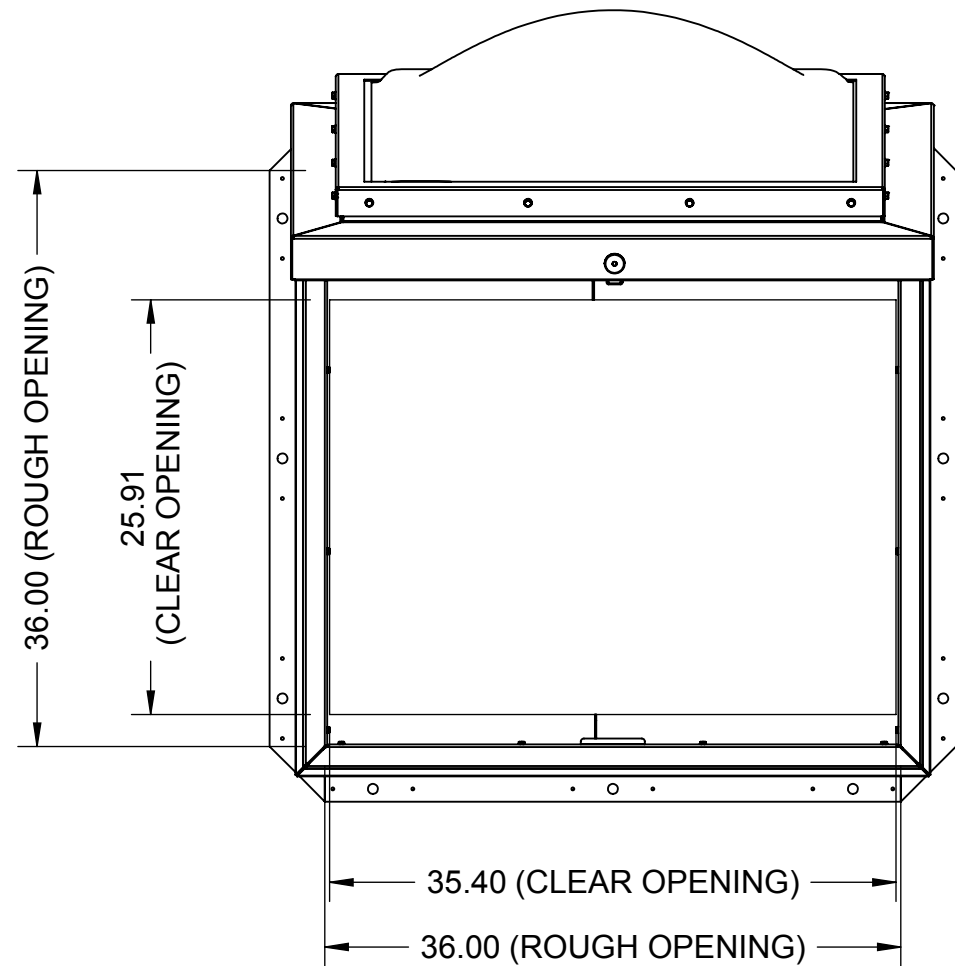
1

D

C

B

A



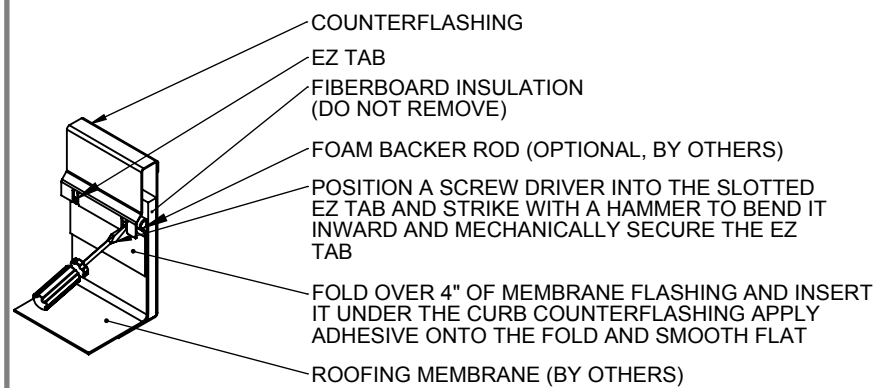
D

C

B

A

**EZ TAB
QUICK FLASHING SYSTEM FOR MEMBRANE ROOFS**



PROPRIETARY AND CONFIDENTIAL: THE INFORMATION CONTAINED IN THIS DRAWING IS THE SOLE PROPERTY OF NYSTROM. ANY REPRODUCTION IN PART OR AS A WHOLE WITHOUT THE WRITTEN PERMISSION OF NYSTROM IS PROHIBITED.

RHLA36X36S1P



Right to site.
9300 73rd Avenue North
Brooklyn Park, MN 55428

TITLE:
Roof Hatch, SunLit Series,
36x36, Sngl Dr,
Alum, Mill, Sgl Wall Curb,

	NAME	DATE	SIZE	DWG. NO.	REV
DRAWN	DWO	07/14/09	B	RHLA36X36S1P	A
RELEASED	DWO	07/14/09	WEIGHT: 144.84		SHEET 25 OF 25

8

7

6

5

4

3

2

1