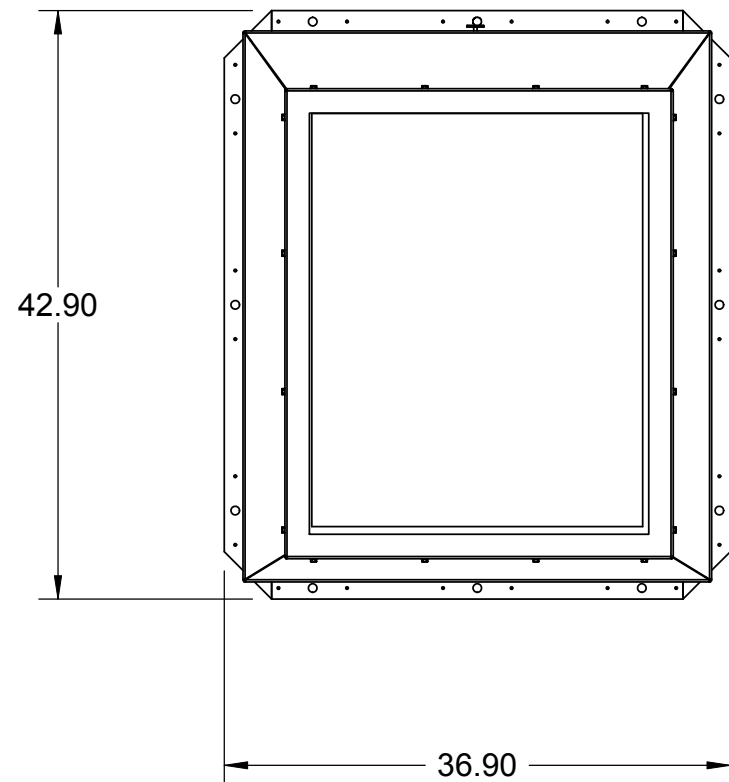


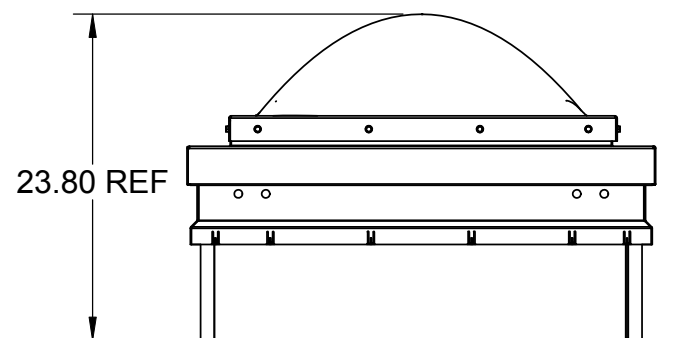
8 7 6 5 4 3 2 1

D



C

B

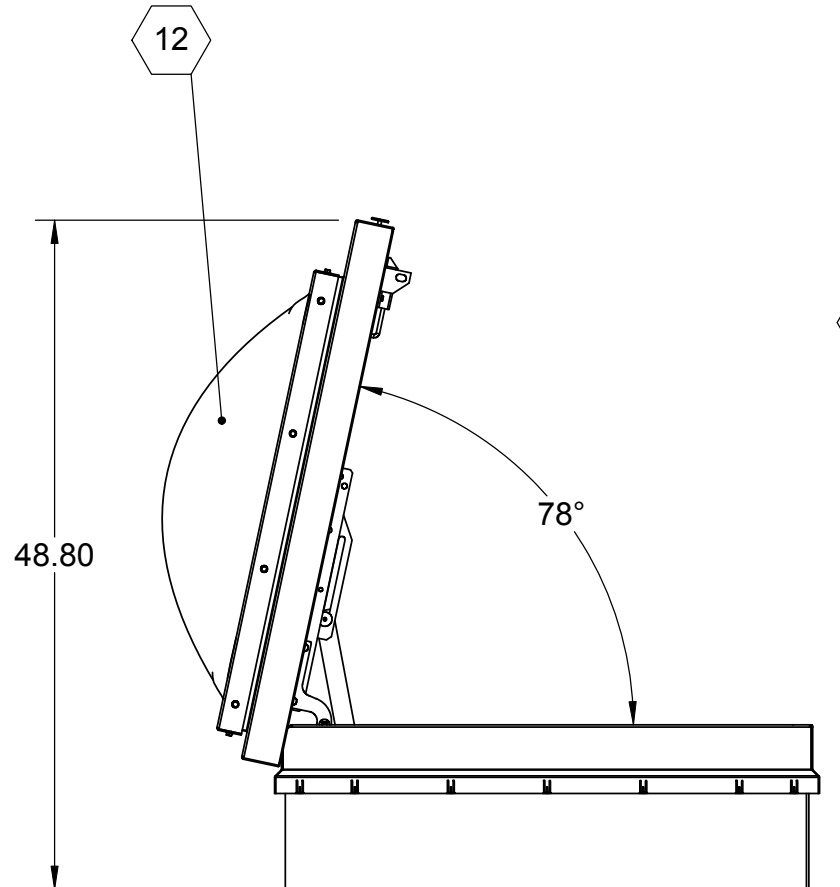
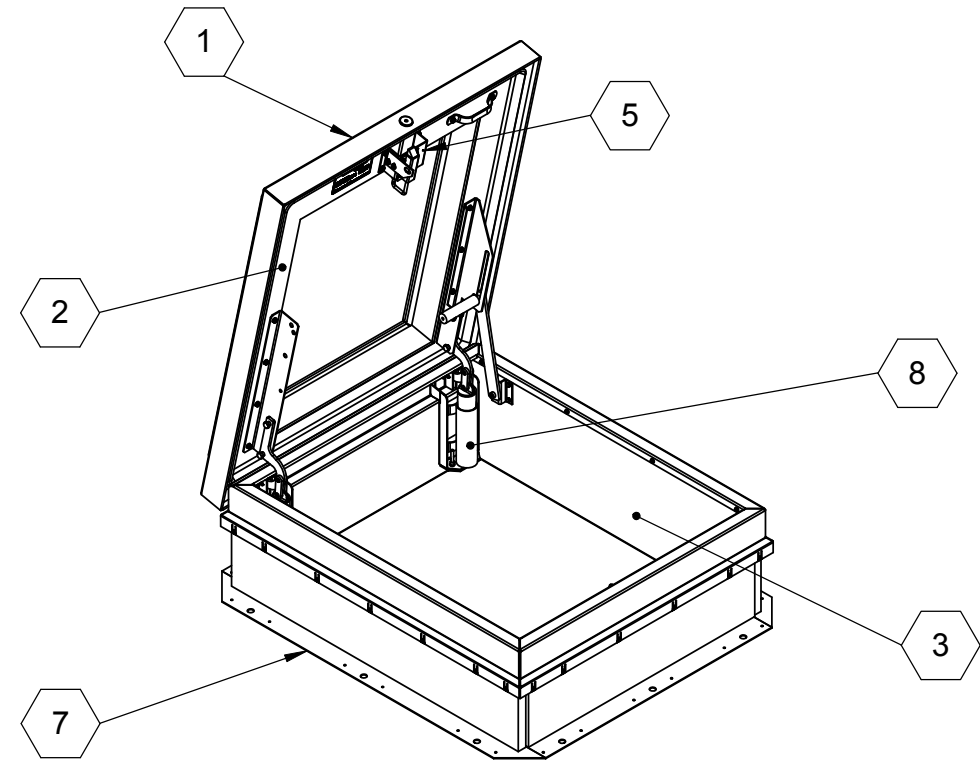


D

C

B

A



- ① COVER - 11 GAUGE ALUMINUM COVER. COVER WITHSTANDS A MAX WIND UPLIFT OF 20 PSF.
- ② LINER - 18 GAUGE ALUMINUM
- ③ CURB - 11 GAUGE ALUMINUM
- ④ HARDWARE - ZINC PLATED STEEL
- ⑤ LATCH - SINGLE POINT SLAM LATCH WITH PROVISION FOR PADLOCK SECURITY

- ⑥ INSULATION - 1" THICK IN COVER AND 1" THICK ON CURB PERIMETER
- ⑦ MOUNTING FLANGE - 3.50 INCHES
- ⑧ HINGE - ZINC PLATED STEEL TAMPER PROOF HINGE CONTAINED WITHIN HATCH AS PART OF SPRING ASSEMBLY
- ⑨ SPRING - GREASED HEAVY DUTY COMPRESSION SPRING.
- ⑩ FINISH - MILL FINISH
- ⑪ CURB OPENING - 36 X 30 INCHES MEASURE INSIDE CURB TO INSIDE CURB
- ⑫ SINGLE POLYCARBONATE DOME

RHLA36X30S1P



Right to site.
9300 73rd Avenue North
Brooklyn Park, MN 55428

TITLE:		Roof Hatch, SunLit Series, 36x30, Sngl Dr, Alum, Mill, Sngl Wall Curb,	
SIZE	DWG. NO.	REV	
B	RHLA36X30S1P	A	
WEIGHT: 117.28		SHEET 1 OF 2	

8 7 6 5 4 3 2 1

8

7

6

5

4

3

2

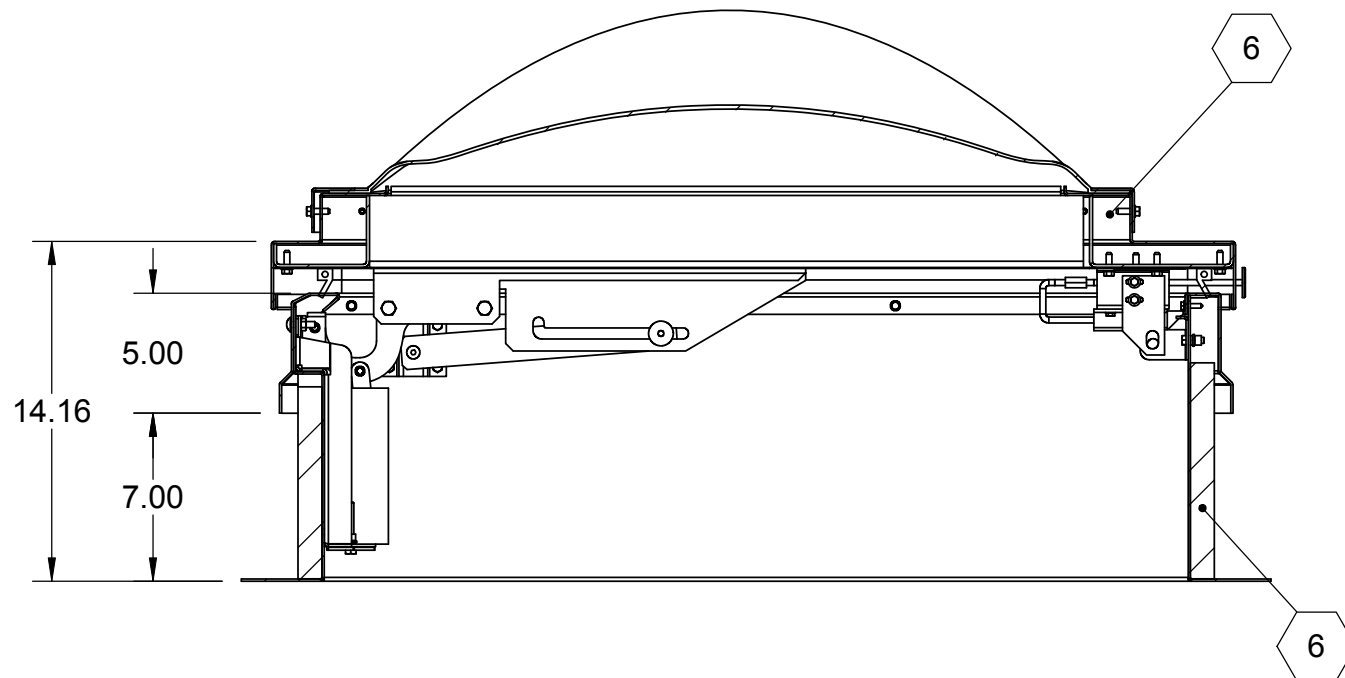
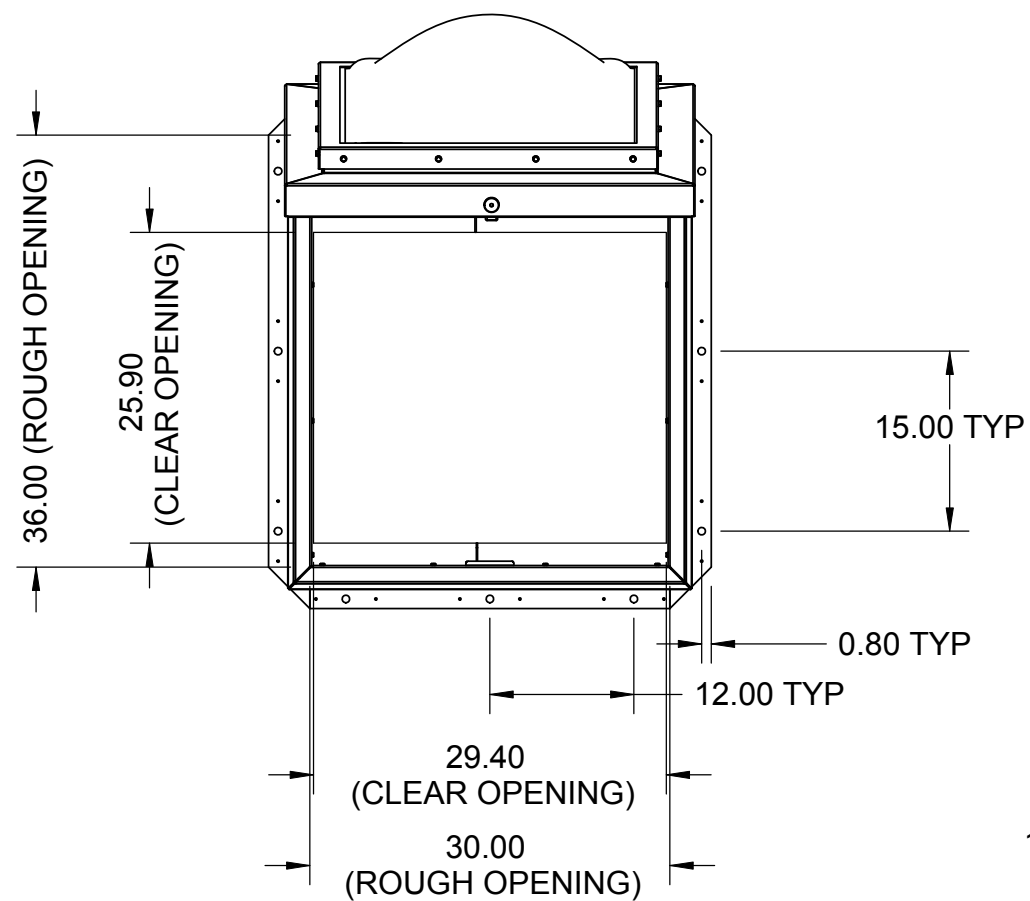
1

D

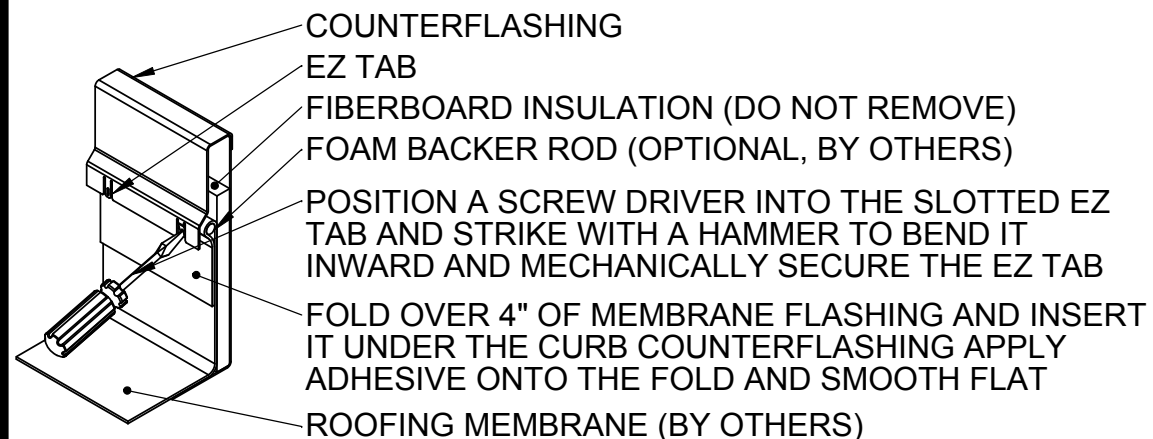
C

B

A



**EZ TAB
QUICK FLASHING SYSTEM FOR MEMBRANE ROOFS**



RHLA36X30S1P

<p>Right to site. 9300 73rd Avenue North Brooklyn Park, MN 55428</p>		TITLE:		Roof Hatch, SunLit Series, 36x30, Sngl Dr, Alum, Mill, Sngl Wall Curb,	
		SIZE	DWG. NO.	REV	
DRAWN	DWO	07/31/09	B	RHLA36X30S1P	A
RELEASED	DWO	07/31/09	WEIGHT: 117.28	SHEET 2 OF 2	

PROPRIETARY AND CONFIDENTIAL: THE INFORMATION CONTAINED IN THIS DRAWING IS THE SOLE PROPERTY OF NYSTROM. ANY REPRODUCTION IN PART OR AS A WHOLE WITHOUT THE WRITTEN PERMISSION OF NYSTROM IS PROHIBITED.

8

7

6

5

4

3

2

1

D

C

B

A