

- ① COVER - 11 GAUGE ALUMINUM COVER STIFFENED TO WITHSTAND A LIVE LOAD OF 40 PSF WITH A MAX DEFLECTION OF 1/150 OF THE SPAN. COVER WITHSTANDS A MAX WIND UPLIFT OF 20 PSF.
- ② LINER - 18 GAUGE ALUMINUM
- ③ CURB - 11 GAUGE ALUMINUM
- ④ HARDWARE - ZINC PLATED STEEL
- ⑤ LATCH - 2 POINT LATCHING WITH PROVISION FOR PADLOCK SECURITY

- ⑥ INSULATION - 1" THICK IN COVER AND 1" THICK ON CURB PERIMETER
- ⑦ MOUNTING FLANGE - 3.50 INCHES
- ⑧ HINGE - ZINC PLATED STEEL TAMPER PROOF HINGE CONTAINED WITHIN HATCH AS PART OF SPRING ASSEMBLY
- ⑨ SPRING - GREASED HEAVY DUTY COMPRESSION SPRING.
- ⑩ FINISH - MILL FINISH
- ⑪ CURB OPENING - 30 X 96 INCHES MEASURE INSIDE CURB TO INSIDE CURB

### RHPA30X96S1T



Right to site.  
9300 73rd Avenue North  
Brooklyn Park, MN 55428

TITLE: Roof Hatch, Personnel Access,  
30x96, Sngl Dr,  
Alum, Mill, Sngl Wall Curb,

DRAWN		NAME	DATE	SIZE	DWG. NO.	REV
DWO		DWO	06/25/09	B	RHPA30X96S1T	A
RELEASED		DWO	06/25/09	WEIGHT: 218.06		SHEET 21 OF 22

PROPRIETARY AND CONFIDENTIAL: THE INFORMATION CONTAINED IN THIS DRAWING IS THE SOLE PROPERTY OF NYSTROM. ANY REPRODUCTION IN PART OR AS A WHOLE WITHOUT THE WRITTEN PERMISSION OF NYSTROM IS PROHIBITED.

8

7

6

5

4

3

2

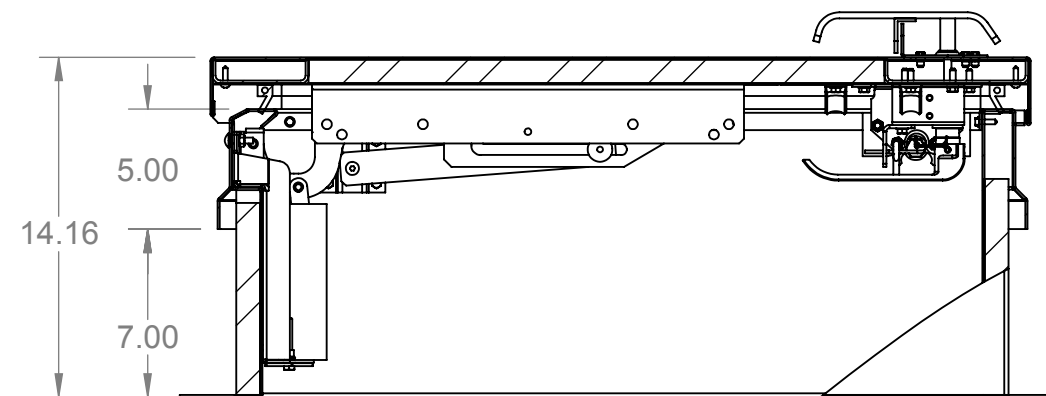
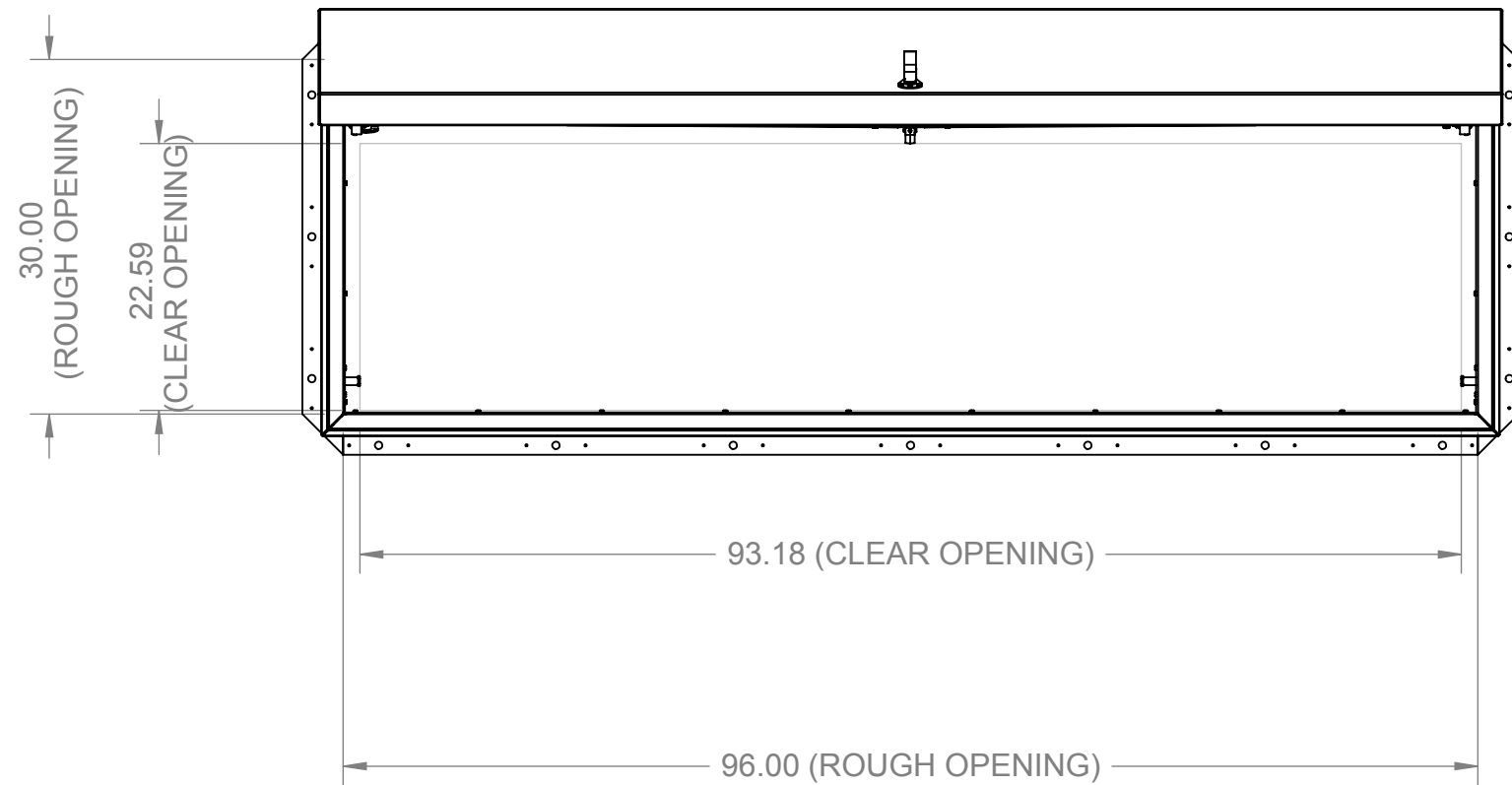
1

D

C

B

A



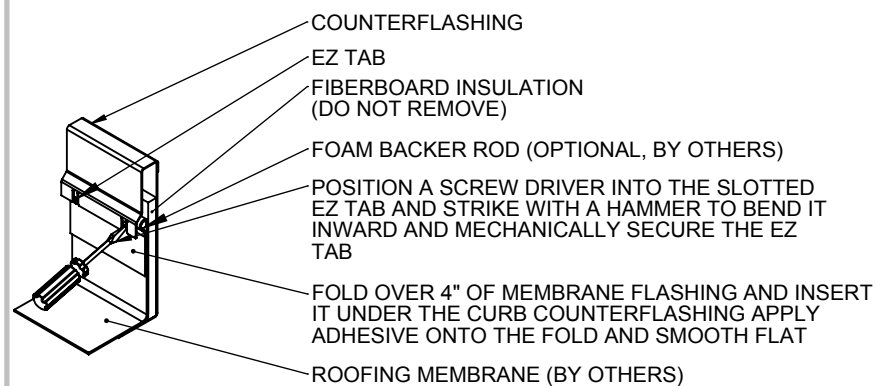
D

C

B

A

**EZ TAB  
QUICK FLASHING SYSTEM FOR MEMBRANE ROOFS**



PROPRIETARY AND CONFIDENTIAL: THE INFORMATION CONTAINED IN THIS DRAWING IS THE SOLE PROPERTY OF NYSTROM. ANY REPRODUCTION IN PART OR AS A WHOLE WITHOUT THE WRITTEN PERMISSION OF NYSTROM IS PROHIBITED.

**RHPA30X96S1T**



Right to site.  
9300 73rd Avenue North  
Brooklyn Park, MN 55428

TITLE: Roof Hatch, Personnel Access,  
30x96, Sngl Dr,  
Alum, Mill, Sngl Wall Curb,

	NAME	DATE	SIZE	DWG. NO.	REV
DRAWN	DWO	06/25/09	<b>B</b>	RHPA30X96S1T	<b>A</b>
RELEASED	DWO	06/25/09	WEIGHT: 218.06	SHEET 22 OF 22	

8

7

6

5

4

3

2

1