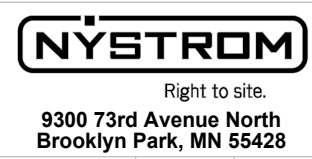


- ① COVER - 14 GAUGE GALVANIZED STEEL COVER STIFFENED TO WITHSTAND A LIVE LOAD OF 40 PSF WITH A MAX DEFLECTION OF 1/150 OF THE SPAN. COVER WITHSTANDS A MAX WIND UPLIFT OF 20 PSF.
- ② LINER - 22 GAUGE GALVANIZED STEEL
- ③ CURB - 14 GAUGE GALVANIZED STEEL
- ④ HARDWARE - ZINC PLATED STEEL
- ⑤ LATCH - 2 POINT LATCHING WITH PROVISION FOR PADLOCK SECURITY

- ⑥ INSULATION - 1" THICK IN COVER AND 1" THICK ON CURB PERIMETER
- ⑦ MOUNTING FLANGE - 3.50 INCHES
- ⑧ HINGE - ZINC PLATED STEEL TAMPER PROOF HINGE CONTAINED WITHIN HATCH AS PART OF SPRING ASSEMBLY
- ⑨ SPRING - GREASED HEAVY DUTY COMPRESSION SPRING.
- ⑩ FINISH - GRAY POWDER COAT
- ⑪ CURB OPENING - 30 X 96 INCHES MEASURE INSIDE CURB TO INSIDE CURB

PROPRIETARY AND CONFIDENTIAL: THE INFORMATION CONTAINED IN THIS DRAWING IS THE SOLE PROPERTY OF NYSTROM. ANY REPRODUCTION IN PART OR AS A WHOLE WITHOUT THE WRITTEN PERMISSION OF NYSTROM IS PROHIBITED.



### RHPG30X96S1T

TITLE: Roof Hatch, Personnel Access, 30x96, Sngl Dr, Galvn Steel, Gray Pwd, Sngl Wall Curb,

| DRAWN    |          | DATE     |              | SIZE           | DWG. NO. | REV            |
|----------|----------|----------|--------------|----------------|----------|----------------|
| DWO      | 07/08/09 | B        | RHPG30X96S1T |                | A        |                |
| RELEASED | DWO      | 07/08/09 |              | WEIGHT: 367.22 |          | SHEET 22 OF 23 |

8

7

6

5

4

3

2

1

D

D

C

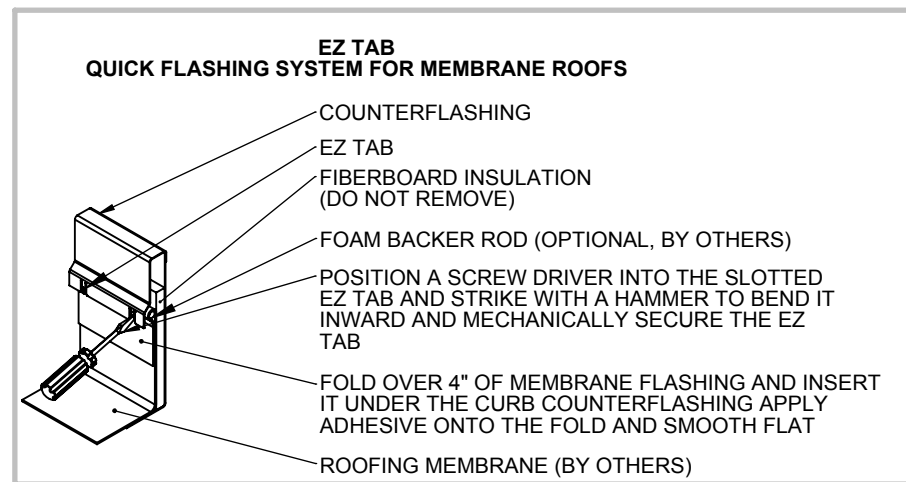
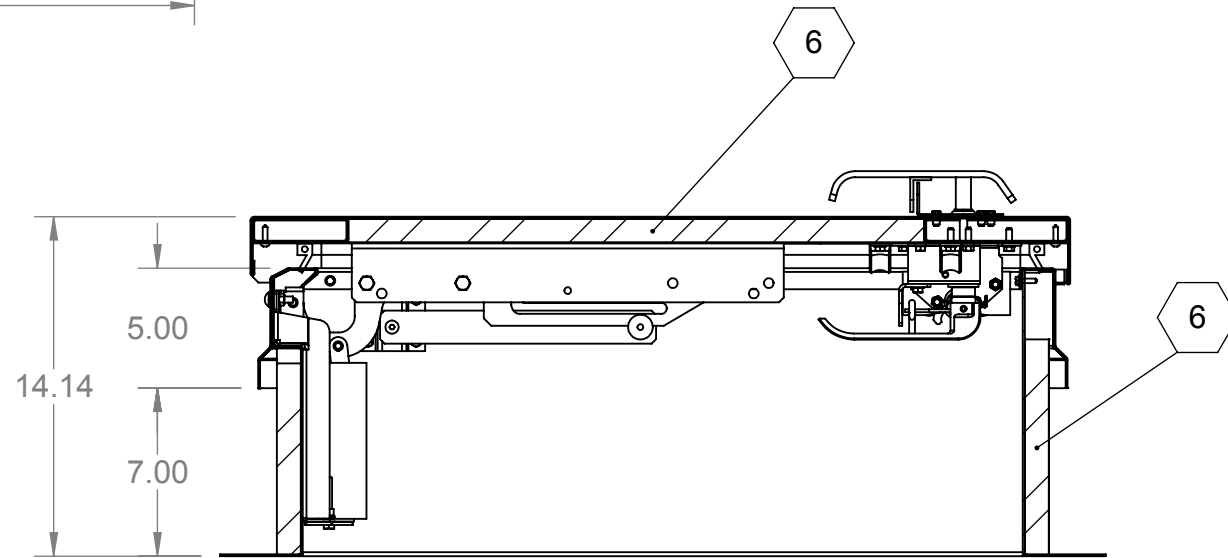
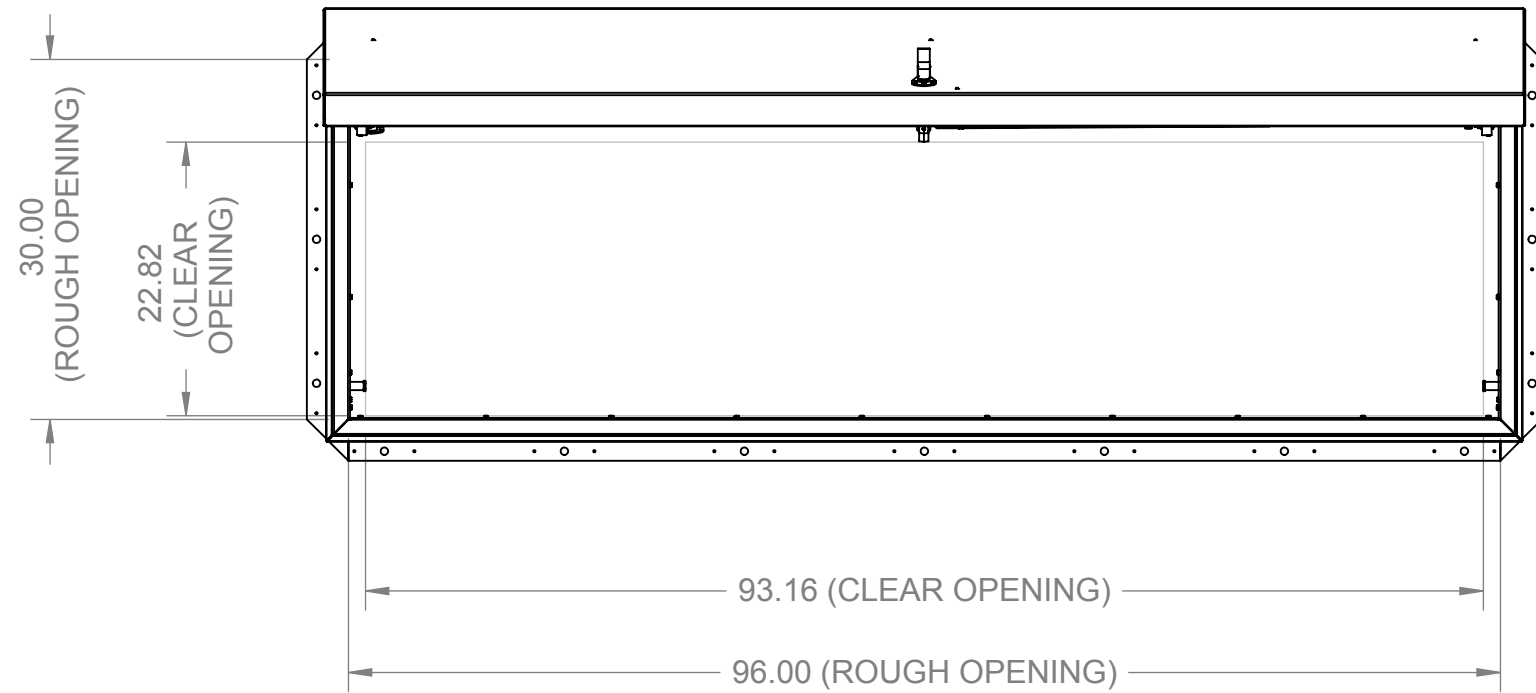
C

B

B

A

A



### RHPG30X96S1T



Right to site.  
 9300 73rd Avenue North  
 Brooklyn Park, MN 55428

TITLE: Roof Hatch, Personnel Access,  
 30x96, Sngl Dr,  
 Galvn Steel, Gray Pwd, Sngl Wall Curb,

|          | NAME | DATE     | SIZE           | DWG. NO.     | REV            |
|----------|------|----------|----------------|--------------|----------------|
| DRAWN    | DWO  | 07/08/09 | <b>B</b>       | RHPG30X96S1T | <b>A</b>       |
| RELEASED | DWO  | 07/08/09 | WEIGHT: 367.22 |              | SHEET 23 OF 23 |

PROPRIETARY AND CONFIDENTIAL: THE INFORMATION CONTAINED IN THIS DRAWING IS THE SOLE PROPERTY OF NYSTROM. ANY REPRODUCTION IN PART OR AS A WHOLE WITHOUT THE WRITTEN PERMISSION OF NYSTROM IS PROHIBITED.

8

7

6

5

4

3

2

1