

- ① COVER - 11 GAUGE ALUMINUM COVER STIFFENED TO WITHSTAND A LIVE LOAD OF 40 PSF WITH A MAX DEFLECTION OF 1/150 OF THE SPAN. COVER WITHSTANDS A MAX WIND UPLIFT OF 20 PSF.
- ② LINER - 18 GAUGE ALUMINUM
- ③ CURB - 11 GAUGE ALUMINUM
- 4. HARDWARE - ZINC PLATED STEEL
- ⑤ LATCH - SINGLE POINT LATCH WITH PROVISION FOR PADLOCK SECURITY

- ⑥ INSULATION - 1" THICK IN COVER AND 1" THICK ON CURB PERIMETER
- ⑦ MOUNTING FLANGE - 3.50 INCHES
- ⑧ HINGE - ZINC PLATED STEEL TAMPER PROOF HINGE CONTAINED WITHIN HATCH AS PART OF SPRING ASSEMBLY
- 9. SPRING - GREASED HEAVY DUTY COMPRESSION SPRING.
- 10. FINISH - MILL FINISH
- 11. CURB OPENING - 36 X 36 INCHES MEASURE INSIDE CURB TO INSIDE CURB

RHPA36X36S1T

NYSTROM
 Right to site.
 9300 73rd Avenue North
 Brooklyn Park, MN 55428

TITLE:		Roof Hatch, Personnel Access, 36x36, Sngl Dr, Alum, Mill, Sngl Wall Curb,	
SIZE	DWG. NO.	REV	
B	RHPA36X36S1T	A	
WEIGHT: 126.43		SHEET 20 OF 21	

8

7

6

5

4

3

2

1

D

C

B

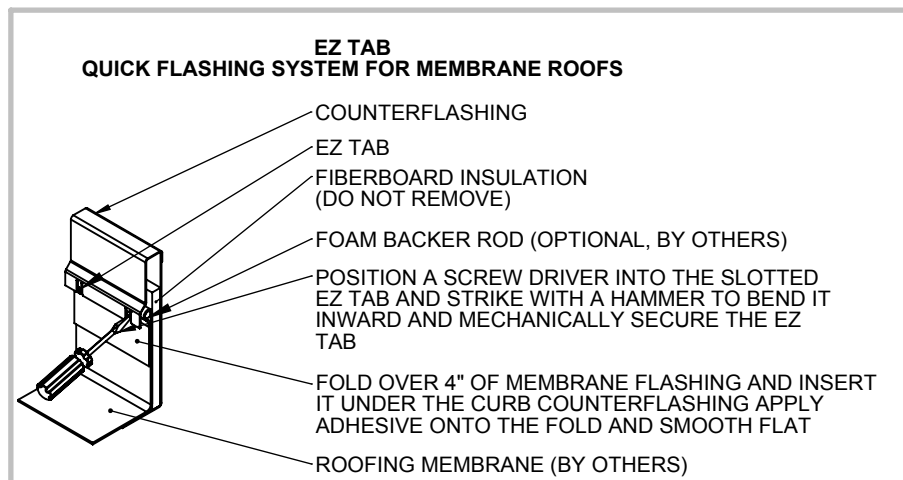
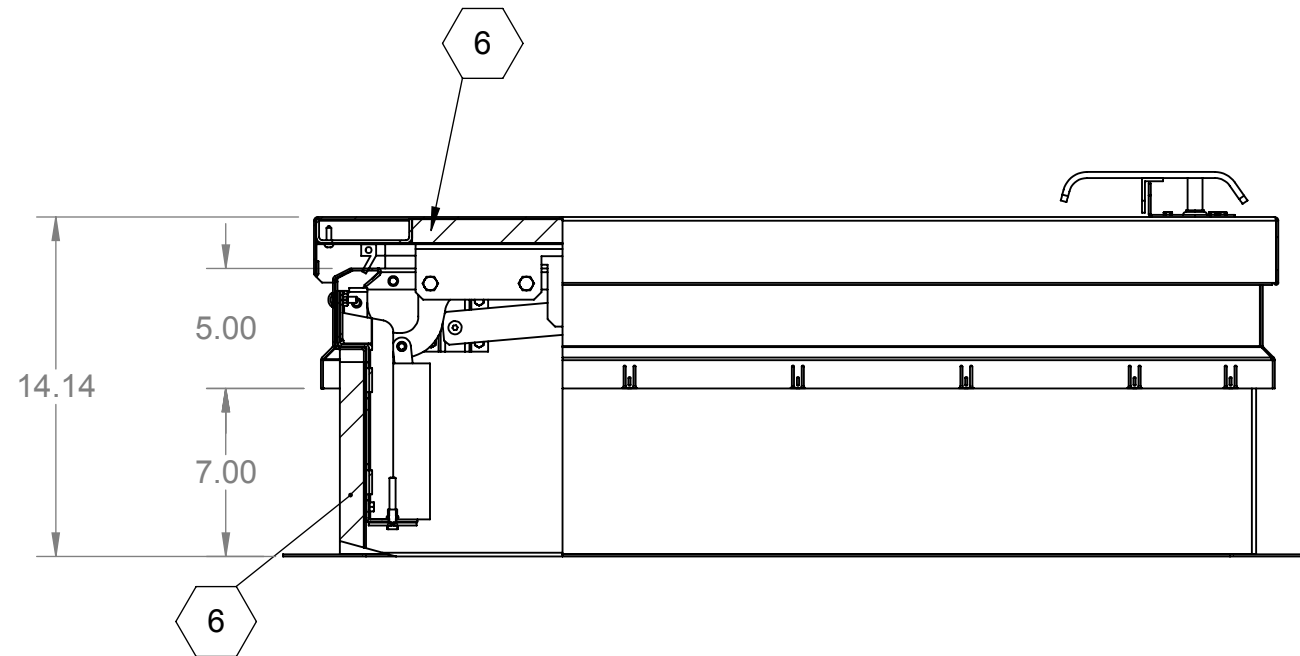
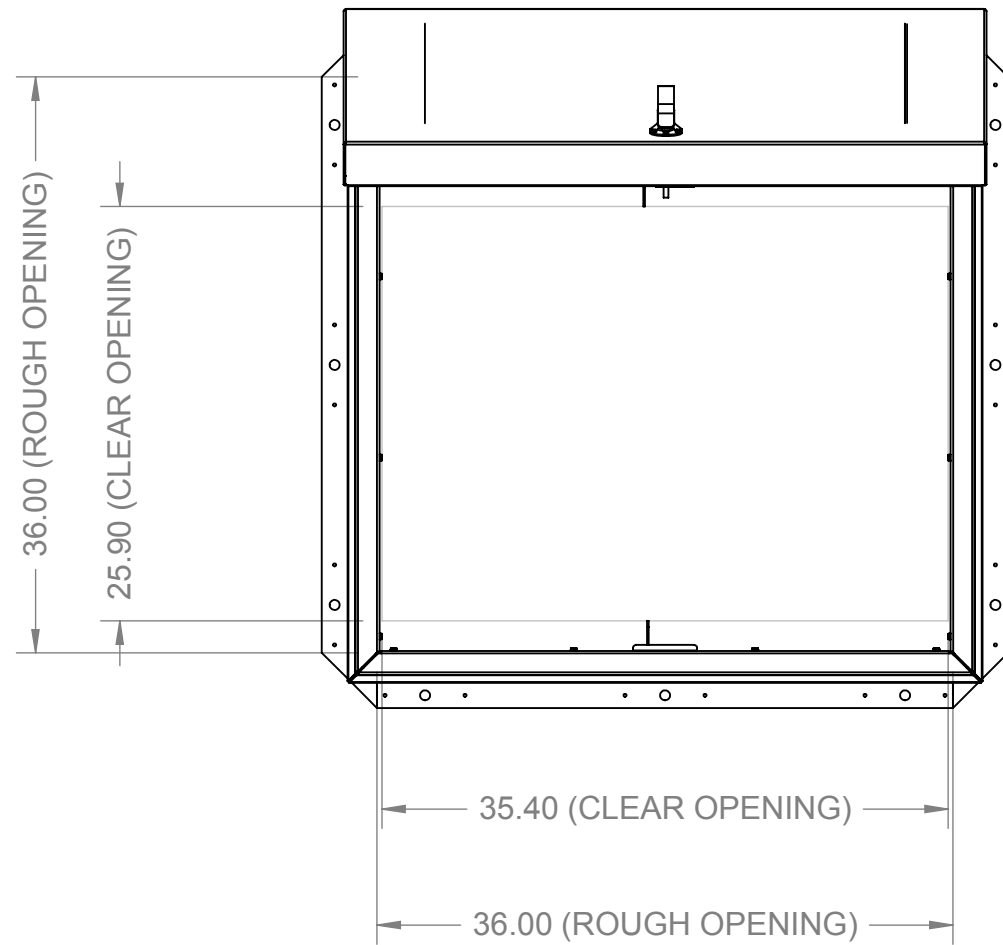
A

D

C

B

A



PROPRIETARY AND CONFIDENTIAL: THE INFORMATION CONTAINED IN THIS DRAWING IS THE SOLE PROPERTY OF NYSTROM. ANY REPRODUCTION IN PART OR AS A WHOLE WITHOUT THE WRITTEN PERMISSION OF NYSTROM IS PROHIBITED.

RHPA36X36S1T



Right to site.
9300 73rd Avenue North
Brooklyn Park, MN 55428

TITLE: Roof Hatch, Personnel Access,
36x36, Sngl Dr,
Alum, Mill, Sngl Wall Curb,

	NAME	DATE	SIZE	DWG. NO.	REV
DRAWN	DWO	10/29/09	B	RHPA36X36S1T	A
RELEASED	DWO	10/29/09			
			WEIGHT: 126.43	SHEET 21 OF 21	

8

7

6

5

4

3

2

1