

8

7

6

5

4

3

2

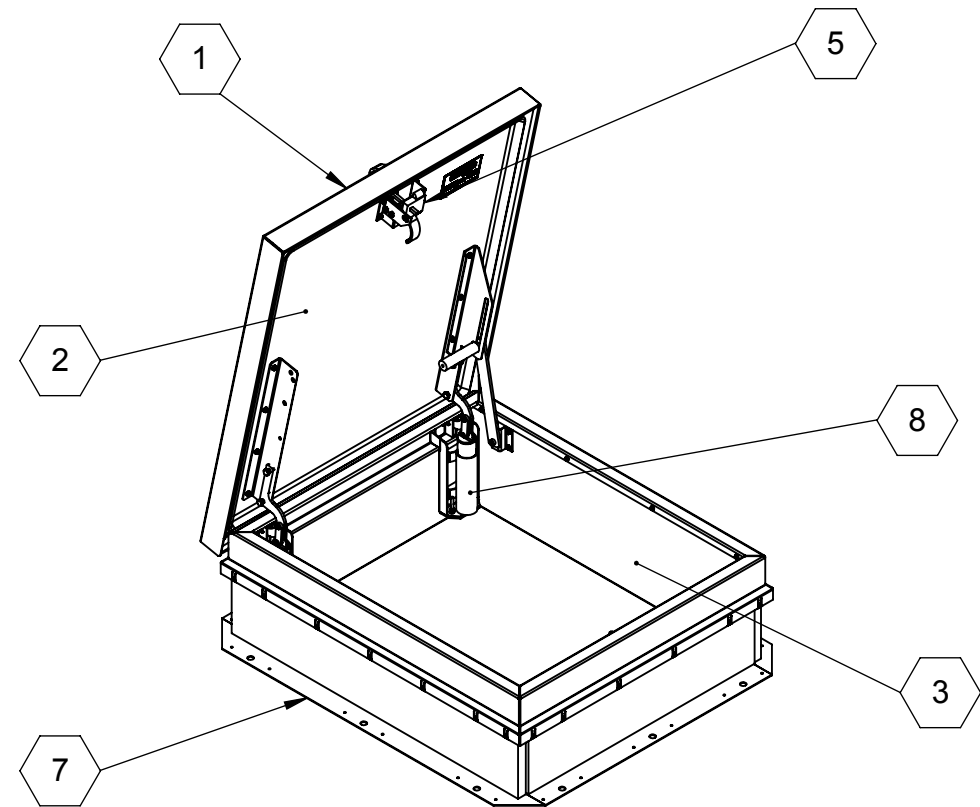
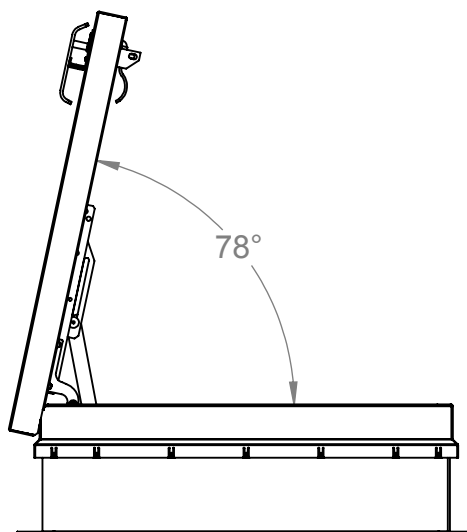
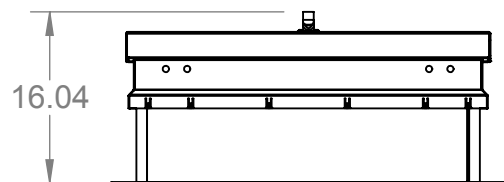
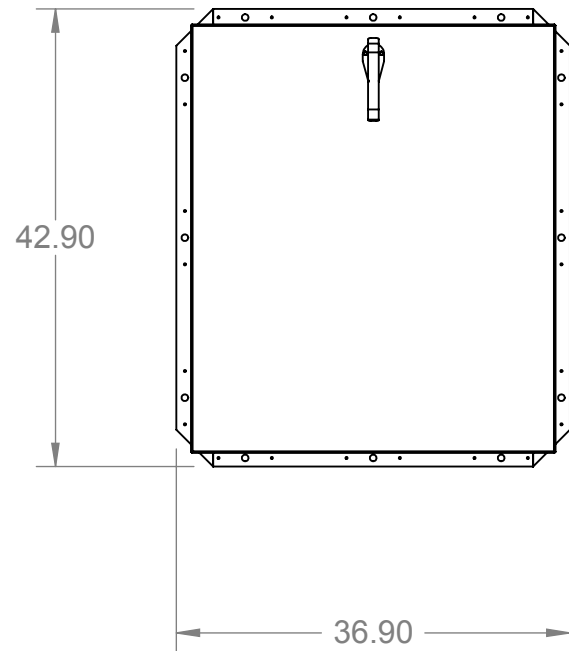
1

D

C

B

A



- ① COVER - 11 GAUGE ALUMINUM COVER STIFFENED TO WITHSTAND A LIVE LOAD OF 40 PSF WITH A MAX DEFLECTION OF 1/150 OF THE SPAN. COVER WITHSTANDS A MAX WIND UPLIFT OF 20 PSF.
- ② LINER - 18 GAUGE ALUMINUM
- ③ CURB - 11 GAUGE ALUMINUM
- ④ HARDWARE - ZINC PLATED STEEL
- ⑤ LATCH - 2 POINT LATCHING WITH PROVISION FOR PADLOCK SECURITY

- ⑥ INSULATION - 1" THICK IN COVER AND 1" THICK ON CURB PERIMETER
- ⑦ MOUNTING FLANGE - 3.50 INCHES
- ⑧ HINGE - ZINC PLATED STEEL TAMPER PROOF HINGE CONTAINED WITHIN HATCH AS PART OF SPRING ASSEMBLY
- ⑨ SPRING - GREASED HEAVY DUTY COMPRESSION SPRING.
- ⑩ FINISH - MILL FINISH
- ⑪ CURB OPENING - 36 X 30 INCHES MEASURE INSIDE CURB TO INSIDE CURB

RHPA36X30S1T



Right to site.
9300 73rd Avenue North
Brooklyn Park, MN 55428

TITLE: Roof Hatch, Personnel Access,
36x30, Sngl Dr,
Alum, Mill, Sngl Wall Curb,

NAME		DATE	SIZE	DWG. NO.	REV
DRAWN	DWO	06/25/09	B	RHPA36X30S1T	A
RELEASED	DWO	06/25/09	WEIGHT: 117.28		SHEET 20 OF 21

8

7

6

5

4

3

2

1

D

C

B

A

8

7

6

5

4

3

2

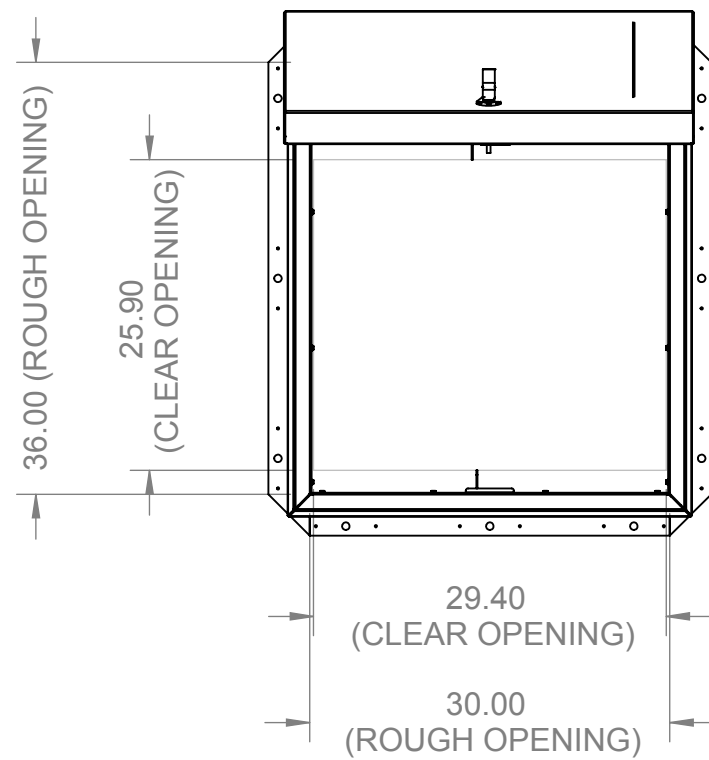
1

D

C

B

A

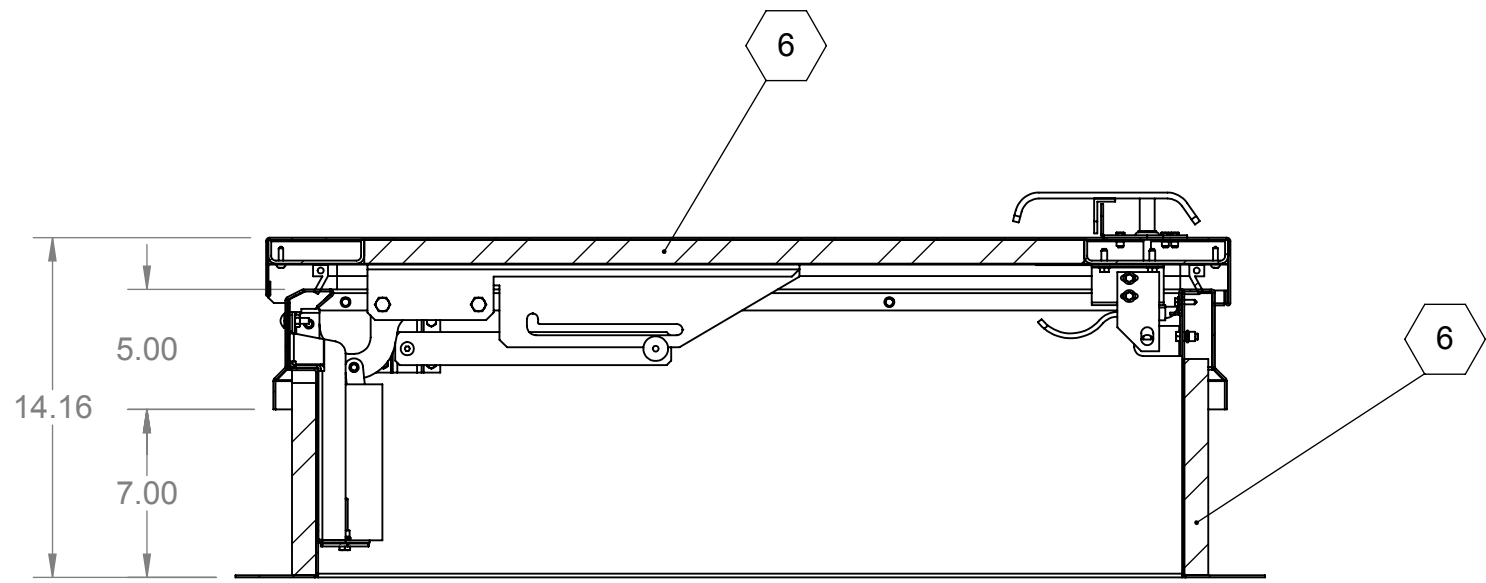


D

C

B

A



EZ TAB
QUICK FLASHING SYSTEM FOR MEMBRANE ROOFS

- COUNTERFLASHING
- EZ TAB
- FIBERBOARD INSULATION (DO NOT REMOVE)
- FOAM BACKER ROD (OPTIONAL, BY OTHERS)
- POSITION A SCREW DRIVER INTO THE SLOTTED EZ TAB AND STRIKE WITH A HAMMER TO BEND IT INWARD AND MECHANICALLY SECURE THE EZ TAB
- FOLD OVER 4" OF MEMBRANE FLASHING AND INSERT IT UNDER THE CURB COUNTERFLASHING APPLY ADHESIVE ONTO THE FOLD AND SMOOTH FLAT
- ROOFING MEMBRANE (BY OTHERS)

RHPA36X30S1T

NYSTROM
Right to site.
9300 73rd Avenue North
Brooklyn Park, MN 55428

TITLE: Roof Hatch, Personnel Access,
36x30, Sngl Dr,
Alum, Mill, Sngl Wall Curb,

	NAME	DATE	SIZE	DWG. NO.	REV
DRAWN	DWO	06/25/09	B	RHPA36X30S1T	A
RELEASED	DWO	06/25/09	WEIGHT: 117.28		SHEET 21 OF 21

PROPRIETARY AND CONFIDENTIAL: THE INFORMATION CONTAINED IN THIS DRAWING IS THE SOLE PROPERTY OF NYSTROM. ANY REPRODUCTION IN PART OR AS A WHOLE WITHOUT THE WRITTEN PERMISSION OF NYSTROM IS PROHIBITED.

8

7

6

5

4

3

2

1