

8

7

6

5

4

3

2

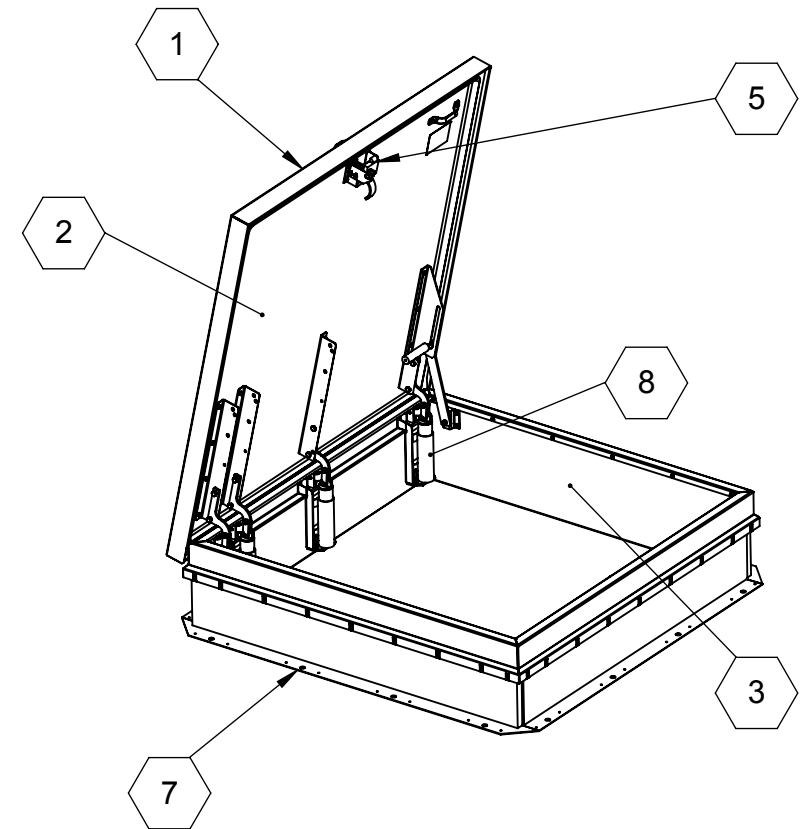
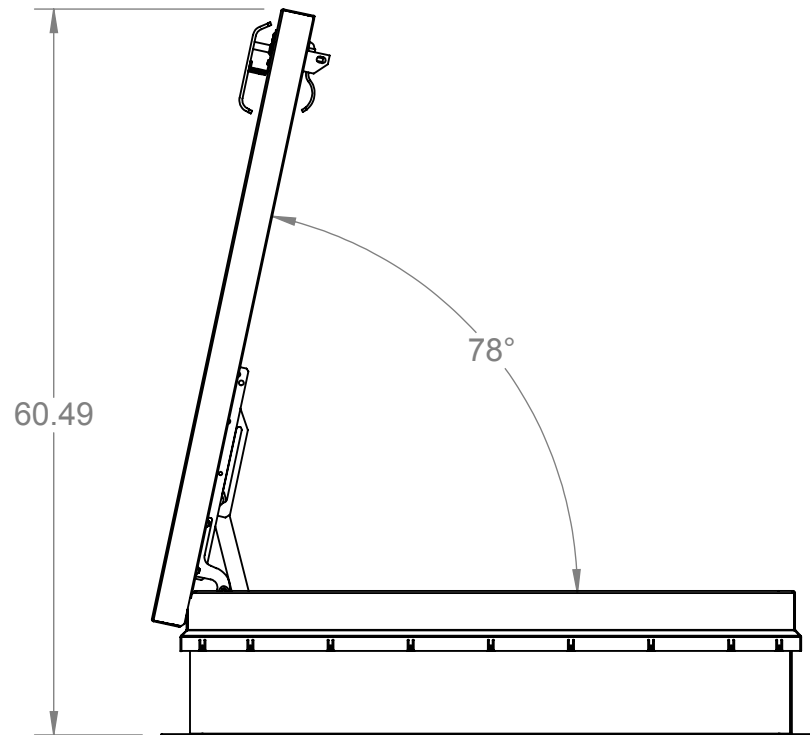
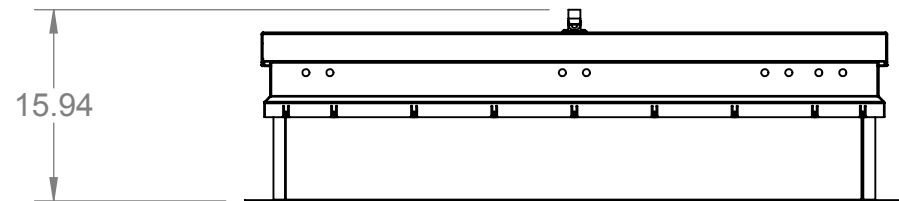
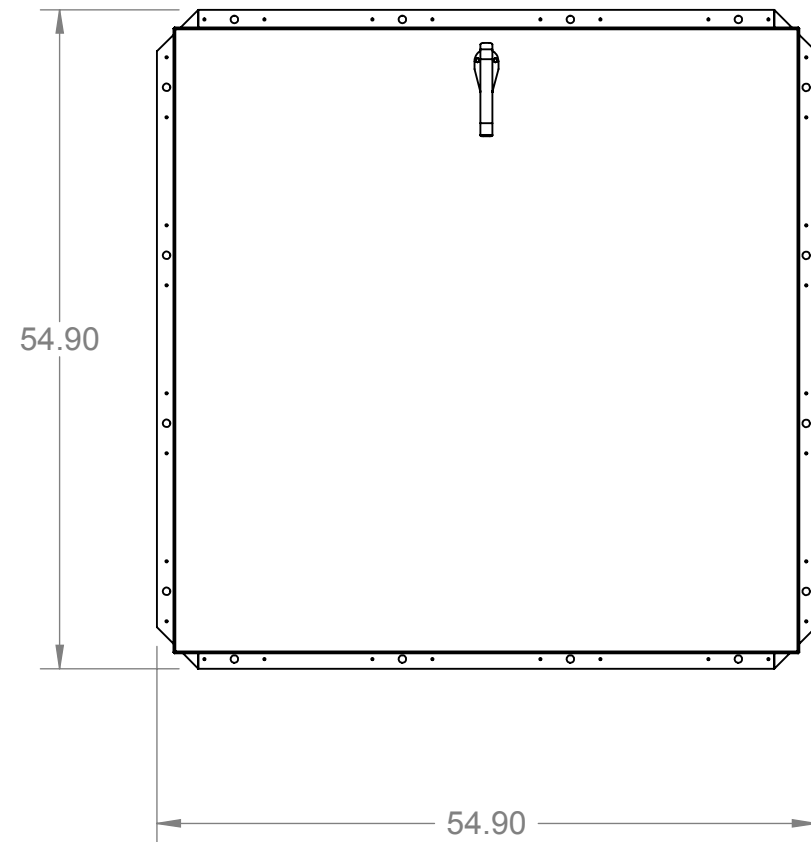
1

D

C

B

A



- ① COVER - 14 GAUGE GALVANIZED STEEL COVER STIFFENED TO WITHSTAND A LIVE LOAD OF 40 PSF WITH A MAX DEFLECTION OF 1/150 OF THE SPAN. COVER WITHSTANDS A MAX WIND UPLIFT OF 20 PSF.
- ② LINER - 22 GAUGE GALVANIZED STEEL
- ③ CURB - 14 GAUGE GALVANIZED STEEL
- 4. HARDWARE - ZINC PLATED STEEL
- ⑤ LATCH - SINGLE POINT LATCH WITH PROVISION FOR PADLOCK SECURITY

- ⑥ INSULATION - 1" THICK IN COVER AND 1" THICK ON CURB PERIMETER
- ⑦ MOUNTING FLANGE - 3.50 INCHES
- ⑧ HINGE - ZINC PLATED STEEL TAMPER PROOF HINGE CONTAINED WITHIN HATCH AS PART OF SPRING ASSEMBLY
- 9. SPRING - GREASED HEAVY DUTY COMPRESSION SPRING.
- 10. FINISH - GRAY POWDER COAT
- 11. CURB OPENING - 48 X 48 INCHES MEASURE INSIDE CURB TO INSIDE CURB

PROPRIETARY AND CONFIDENTIAL: THE INFORMATION CONTAINED IN THIS DRAWING IS THE SOLE PROPERTY OF NYSTROM. ANY REPRODUCTION IN PART OR AS A WHOLE WITHOUT THE WRITTEN PERMISSION OF NYSTROM IS PROHIBITED.

RHPG48X48S1T



Right to site.
9300 73rd Avenue North
Brooklyn Park, MN 55428

TITLE: Roof Hatch, Personnel Access,
48x48, Sngl Dr,
Galvn Steel, Gray Pwd, Sngl Wall Curb,

	NAME	DATE	SIZE	DWG. NO.	REV
DRAWN	DWO	10/9/09	B	RHPG48X48S1T	A
RELEASED	DWO	10/9/09			
			WEIGHT: 327.53	SHEET 22 OF 23	

8

7

6

5

4

3

2

1

D

C

B

A

8

7

6

5

4

3

2

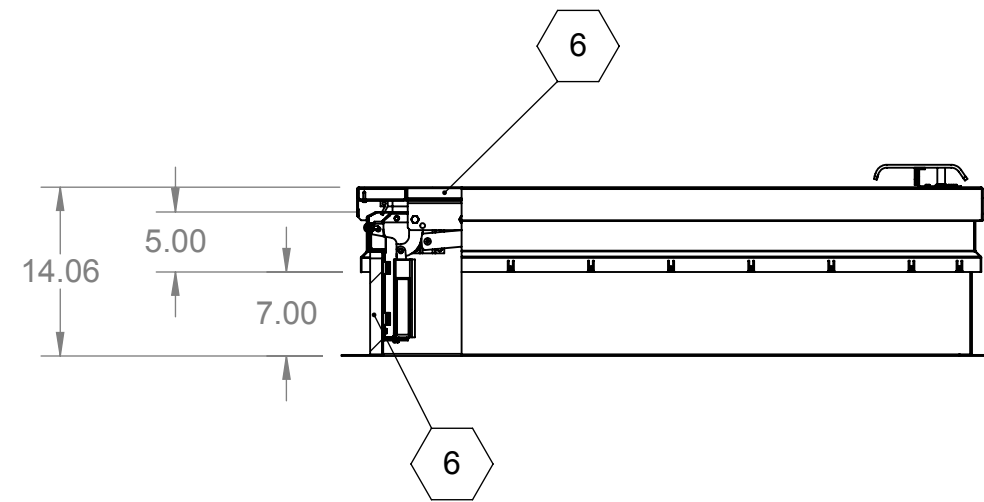
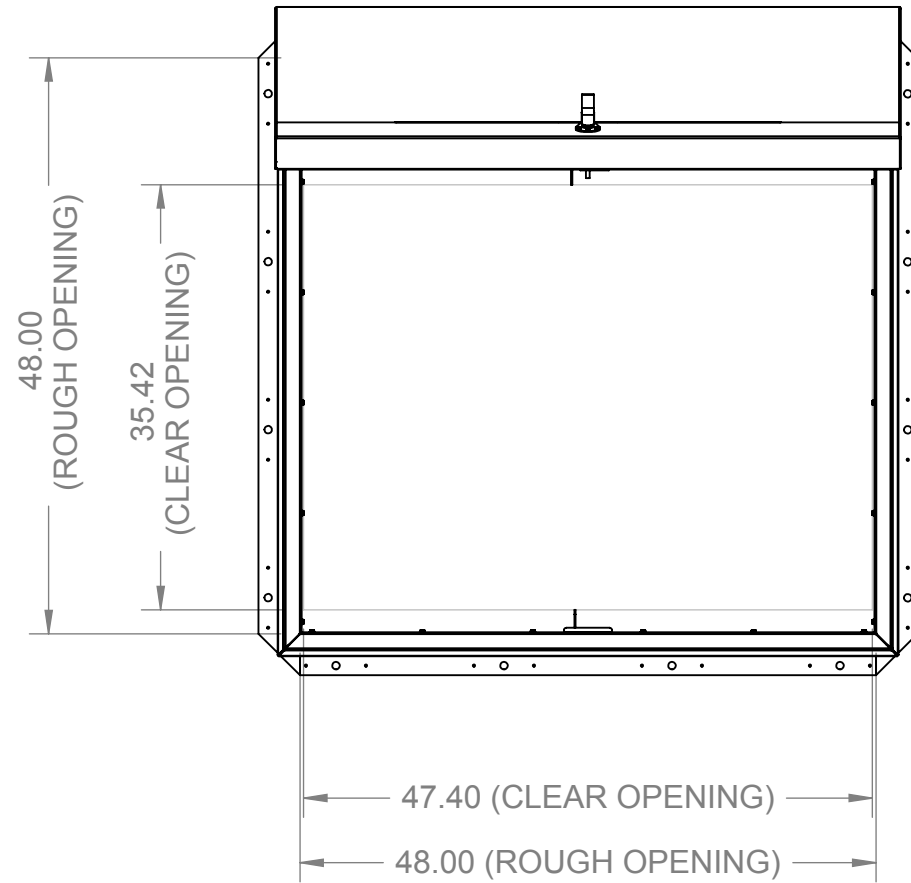
1

D

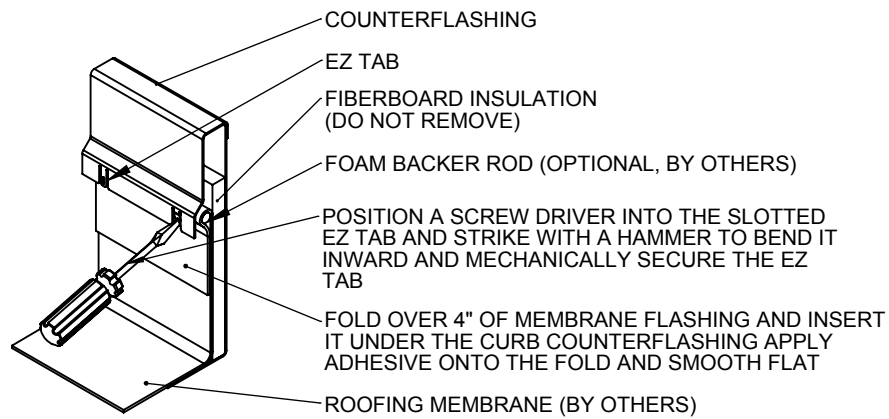
C

B

A



**EZ TAB
QUICK FLASHING SYSTEM FOR MEMBRANE ROOFS**



RHPG48X48S1T



Right to site.
9300 73rd Avenue North
Brooklyn Park, MN 55428

TITLE: Roof Hatch, Personnel Access,
48x48, Sngl Dr,
Galvn Steel, Gray Pwd, Sngl Wall Curb,

	NAME	DATE	SIZE	DWG. NO.	REV
DRAWN	DWO	10/9/09	B	RHPG48X48S1T	A
RELEASED	DWO	10/9/09	WEIGHT: 327.53		SHEET 23 OF 23

8

7

6

5

4

3

2

1