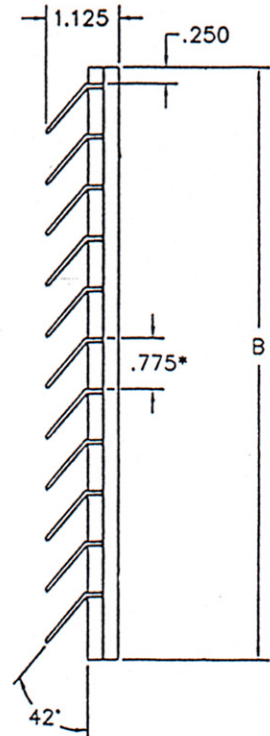
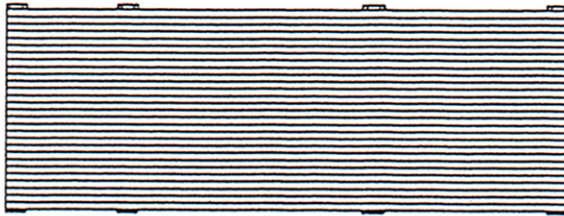
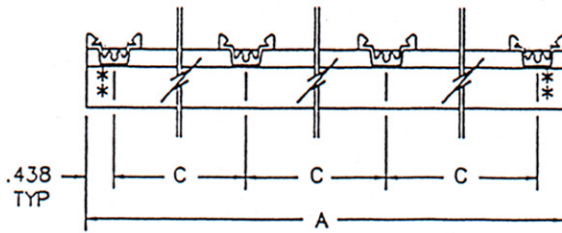


LSA42

EXTRUDED ALUMINUM; 6063-T5; CLEAR ANODIZED OR _____



FACE VIEW FOR ILLUSTRATION PURPOSES ONLY

A=AS REQUIRED, NOT TO EXCEED 190 INCHES; SPECIFY: _____
 B=AS REQUIRED, NOT TO EXCEED 96 INCHES; SPECIFY: _____
 C=AS REQUIRED, NOT TO EXCEED 16 INCHES; SPECIFY: _____
 D=AS REQUIRED, IF REQUIRED; SPECIFY: _____

OPTIONS:

- FRAMES OF CHOICE-SEE FRAME SUBMITTAL SHEET
- * 1" BLADE SPACING
- ** EXTERIOR MOUNTING HOLES AS REQUIRED

TAG	QTY	ROUGH OPENING		FRAME
		WIDTH	HEIGHT	

PROJECT:	LOCATION:
ARCH./ENGR.:	CONTRACTOR:
REPRESENTATIVE:	DATE:

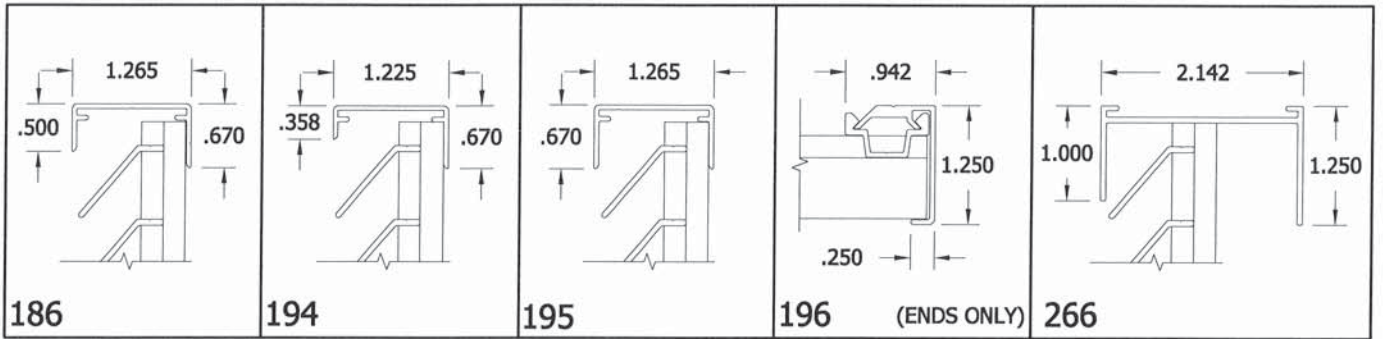
ALL STATED SPECIFICATIONS ARE SUBJECT TO CHANGE WITHOUT NOTICE OR OBLIGATION.

Right to site.

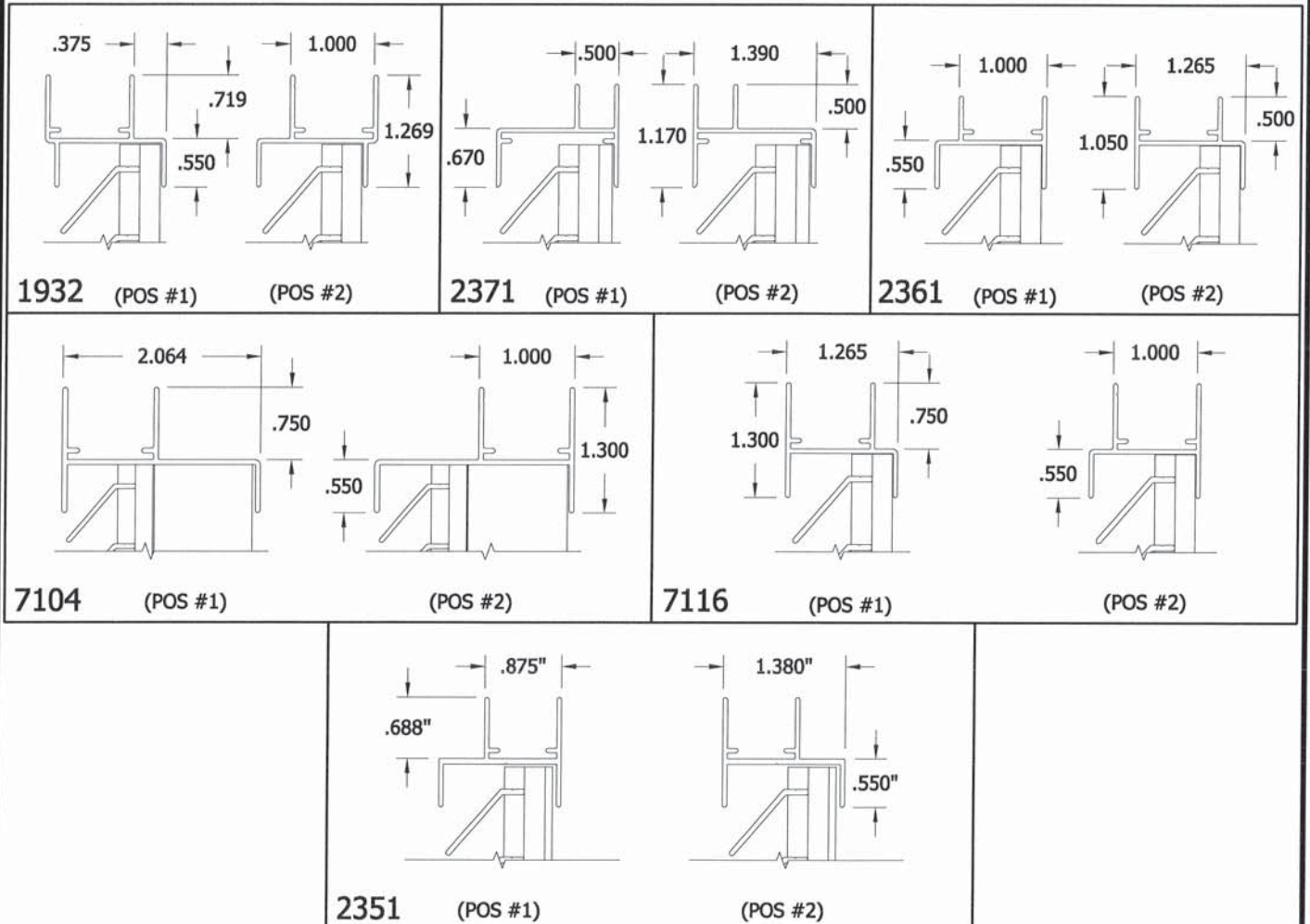
FRAMES

ARCHITECTURAL FRAMES FOR LSA SERIES LOUVERS

CHANNEL TYPE FRAMES



GLAZING TYPE FRAMES



ANY COMBINATION OF LSA LOUVERS AND FRAMES FOR USE WITH WALL AND WINDOW SECTIONS.

AR90119-01J

ECN _____ REV. (J) 08/19/09 ALL STATED SPECIFICATIONS ARE SUBJECT TO CHANGE WITH OUT NOTICE OR OBLIGATION.

Right to site.

FRAMES

ARCHITECTURAL FRAMES FOR LSA SERIES LOUVERS

FLANGE TYPE FRAMES

