

LSA4CDD WIND-DRIVEN RAIN STATIONARY LOUVER HORIZONTAL BLADE

STANDARD CONSTRUCTION

FRAME

4" (102) deep, 6063T6 extruded aluminum with .081" (2.1) nominal wall thickness.

BLADES

6063T6 extruded aluminum .063" (1.6) nominal wall thickness. Double drainable blades are sightproof.

SCREEN

5/8" x .040" (16 x 1) expanded flattened aluminum bird screen in removable frame. Screen adds approximately 1/2" (13) to louver depth.

FINISH

Mill.

MINIMUM SIZE

12"w x 6"h (305 x 153).

APPROXIMATE SHIPPING WEIGHT

7 lbs. per sq. ft. (34.2 kg/m²)

MAXIMUM FACTORY ASSEMBLY SIZE

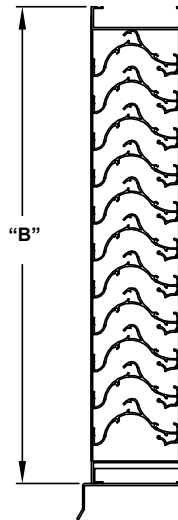
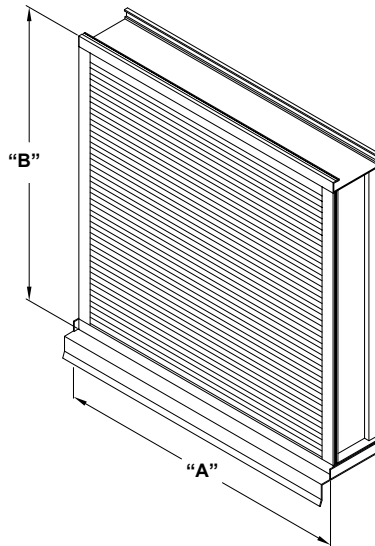
Shall be 75 sq. ft. (7m²) per section. Single sections shall not exceed 120" x 90"h (3048 x 2286) or 90"w x 120"h (2286 x 3048).

Louvers larger than the maximum single section size will require field assembly of smaller sections.

SUPPORTS

Louvers may be provided with rear mounted blade supports that increase overall louver depth depending on louver size, assembly configuration or windload.

Consult Nystrom for additional information.



FEATURES

- Horizontal architectural blades minimize the penetration of wind-driven rain, reducing damage and additional operating expenses.
- AMCA certified wind-driven rain results.
- Published performance ratings based on testing in accordance with AMCA Publication 511.
- 40% Free Area.
- Aluminum construction for low maintenance and high resistance to corrosion.

VARIATIONS

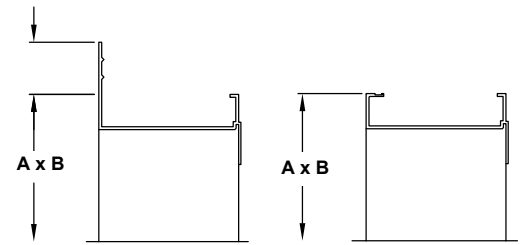
- Extended sill.
- Hinged frame.
- Front or rear security bars.
- Filter racks.
- Installation angles.
- A variety of bird and insect screens.

Finishes:

- Prime coat.
- Baked enamel (modified fluoropolymer).
- Kynar.
- Clear and color anodize.

Consult Nystrom for other special requirements.

FRAME CONSTRUCTION OPTIONS



INTEGRAL FLANGE

STANDARD

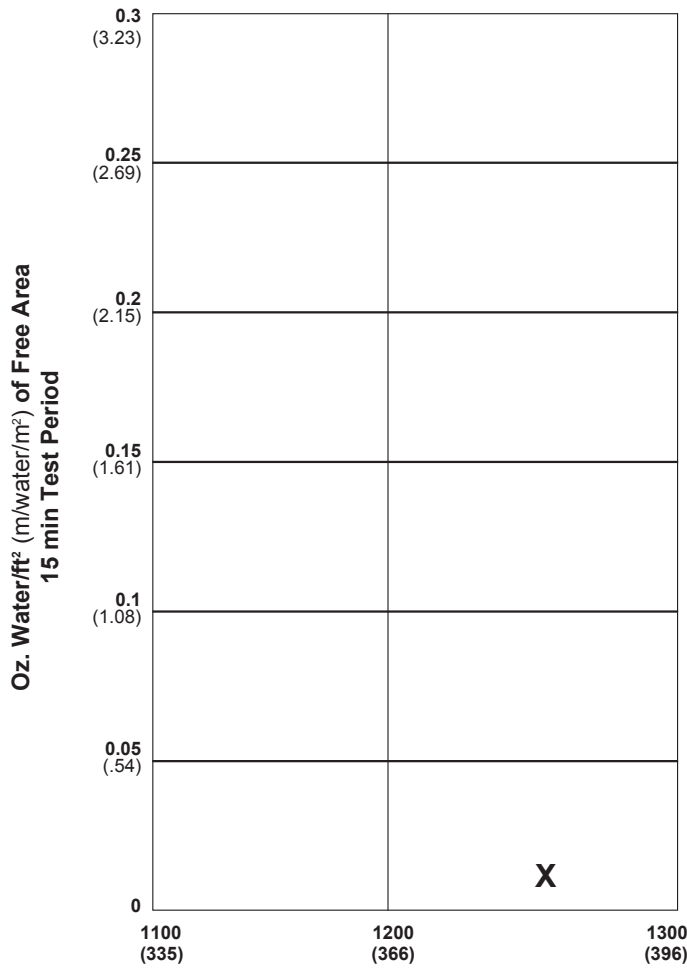
NOTES:

1. Dimensions in inches, parenthesis () indicate millimeters.
2. Units furnished 1/4" (6) smaller than given opening dimensions.

| TAG | QTY. | SIZE | | FRAME | VARIATIONS |
|--|------|---------|--------------------------------|-------|------------|
| | | A*-WIDE | B*-HIGH | | |
| | | | | | |
| | | | | | |
| | | | | | |
| | | | | | |
| | | | | | |
| PROJECT ARCH./ENGR. REPRESENTATIVE | | | LOCATION CONTRACTOR DATE | | |

WATER PENETRATION GRAPH

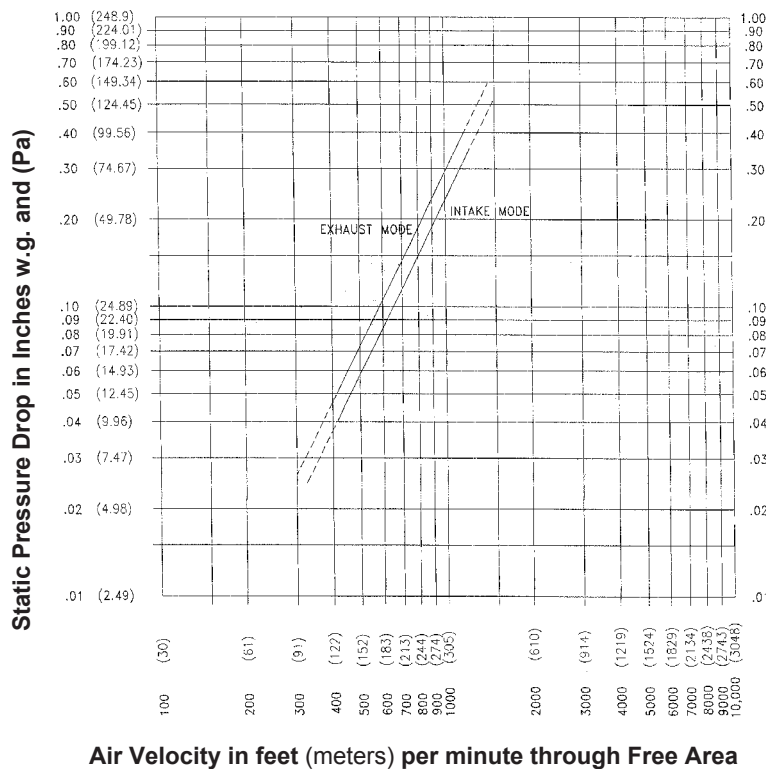
Test size 48" x 48" (1219 x 1219)
 Beginning point of water penetration at .01 oz./sq. ft. is above 1250 fpm (381 m/min.)



Airline Louvers certifies that the louver shown herein is licensed to bear the AMCA Seal. The ratings shown are based on tests and procedures performed in accordance with AMCA Publication 511 and comply with the requirements of the AMCA Certified Ratings Program. The AMCA Certified Ratings Seal applies to air performance ratings, water penetration ratings and wind driven rain ratings only.

PRESSURE DROP

Pressure Drop testing performed on 48" x 48" (1219 x 1219) unit.



Ratings do not include the effect of a bird screen.

