



Right to site.

9300 73rd Avenue North
Brooklyn Park, MN 55428

Phone: 800-547-2635
Fax: 800-317-8770

LSA6D38DC DRAINABLE STATIONARY LOUVER

MIAMI-DADE APPROVED

MIAMI-DADE COUNTY, FLORIDA NOTICE OF ACCEPTANCE #08-1202.05

STANDARD CONSTRUCTION

FRAME

Dade Flange Frame with front flange: 6" (152) deep, .081" (2.1) nominal wall thickness. Downspouts and caulking surfaces provided.

Optional Channel Frame: Same material & gauges as above without front flange. For masonry walls only.

Optional Sleeved Channel Frame (for louver/damper combination units only): Frame with factory installed .125" thick aluminum sleeve around perimeter. Sleeve depth: 33" (838). Reference back page for frame details.

BLADES

6063T5 extruded aluminum. 081" (2.1) nominal wall thickness. Drainable blades are positioned at 37¹/₂° angle and spaced approximately 5²⁹/₃₂" (150) center to center.

SCREEN

3/4" x .051" (19 x 1.3) expanded, flattened aluminum bird screen in removable frame.

FINISH

Mill.

APPROXIMATE SHIPPING WEIGHT

14 lbs./ft.² (68 kg per m²)

MINIMUM SIZE

12"w x 12"h (305 x 305).

MAXIMUM SIZE

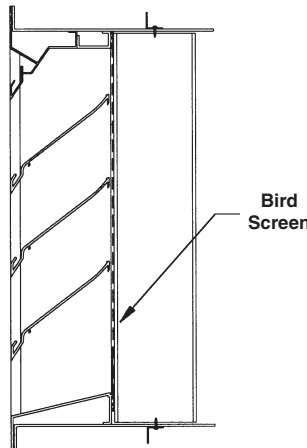
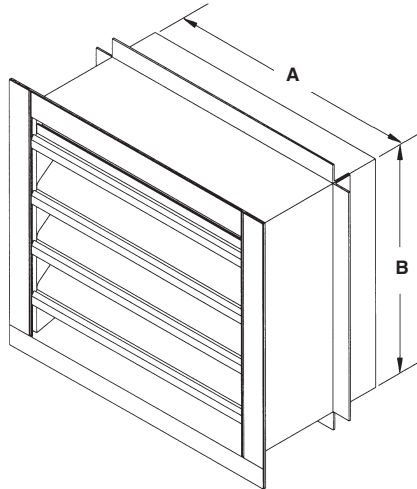
Dade Flange Frame: 84"w x 120"h (1234 x 3048) factory assembly, unlimited width x 120"h (3048) field assembly.

Optional Channel Frame (for masonry wall only): 47¹/₄"w x 71¹/₄"h (1200 x 1810) factory and field assembly.

Optional Sleeved Channel Frame (for louver/damper combination): 78"w x 96"h (1981 x 2438) factory assembly, 156" x 96" (3962 x 2438) field assembly.

INSTALLATION

The LSA6D38DC must be installed per the appropriate Installation Detail. Reference the appropriate separate Installation Instruction Sheets.



FEATURES

- Approved for use in open structures with provisions to manage weather infiltration (wet rooms).
- Maximum windload ±148 PSF (7.08 kPa).
- Dade Flange Frame allows installation in walls up to 10" deep (254) and in any wall material. Also available for walls up to 15" (381) deep with DFF15 frame.
- No additional installation angles or fasteners are required with the Dade Flange Frame. Fasteners penetrating the wall are not utilized.
- Approved for use in closed structures with provisions to manage weather infiltration when combined with optional LAA87CD or LAA56CD control dampers.
- Optional Channel Frame construction for use in masonry walls only. Maximum windload for Box Frame construction is ±138 psf.
- Optional Sleeved Channel Frame construction available for LSA6D38DC/LAA87CD combination units. Optional DFD21 and DFD29 frame construction available for LSA6D38DC/LAA56CD combination units. Dampers are shipped separately for field installation in sleeves.
- 57% Free Area.
- Published performance ratings based on testing in accordance with AMCA Publication 500-L.
- Optional finishes available at additional cost: prime coat, baked enamel (modified fluoropolymer), Kynar, clear and color anodize. (Some variation in anodize color consistency is possible.)

*Please provide Rough Opening Dimensions for A & B dimensions.

Dade Flange Frame louvers will be undersized 1/2" (12) from the rough opening.
Optional Channel Frame louvers will be undersized 1" (25) from the rough opening.
Optional Sleeved Channel frame will be undersized 1 3/4" (45) in width and 7/8" (22) in height from the rough opening.

Louvers ordered as Actual Size will not be undersized. Order acknowledgements for actual size orders or orders with engineering drawings may show actual louver frame dimensions less sleeve thickness.

Dimensions in inches, parenthesis () indicate millimeters.

TAG	QTY.	SIZE		FRAME	WALL DEPTH	VARIATIONS
		A*-WIDE	B*-HIGH			
PROJECT				LOCATION		
ARCH./ENGR.				CONTRACTOR		
REPRESENTATIVE				DATE		

MIAMI-DADE COUNTY HURRICANE STRUCTURAL TEST PERFORMANCE

SIZE TESTED: 251³/₄ W X 119³/₄ H (6394 X 3042)

PA 201-94 LARGE MISSILE IMPACT TEST (LOUVER ONLY):

MISSILE TYPE	VELOCITY IN FT/SEC (M/SEC)	IMPACTS
9 lb (4kg) Southern Pine 2" x 4" (51 x 102)	50 (15.24)	7

PA 202-94 UNIFORM STATIC AIR PRESSURE TEST (LOUVER ONLY)

LOAD IN PSF (kPA)	LOAD DURATION	LOUVER/DAMPER RECOVERY
+111 (+5.3)	30 seconds	100%
-111 (-5.3)	30 seconds	100%
+148 (+7.1)	30 seconds	100%
-148 (-7.1)	30 seconds	100%
+222 (+10.6)	30 seconds	100%
-222 (-10.6)	30 seconds	100%

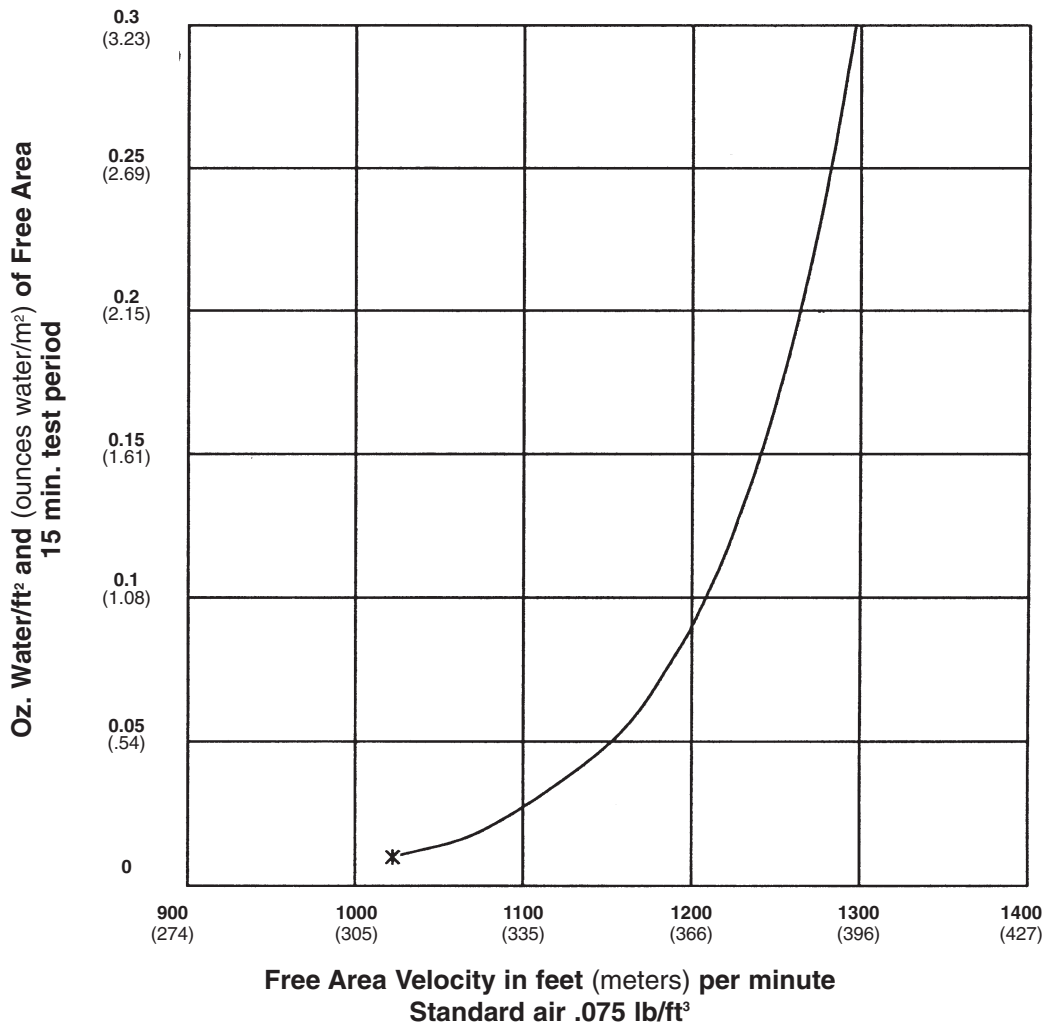
PA 203-94 CYCLIC WIND PRESSURE TEST (LOUVER ONLY)

CYCLES	LOAD IN PSF (kPA)	LOAD DURATION CYCLE	LOUVER RECOVERY
600	+74 (+3.54)	1 to 3 seconds	100%
600	-74 (-3.54)	1 to 3 seconds	100%
70	+88.8 (+4.25)	1 to 3 seconds	100%
70	-88.8 (-4.25)	1 to 3 seconds	100%
1	+192.4 (+9.21)	1 to 3 seconds	100%
1	-192.4 (-9.21)	1 to 3 seconds	100%

WATER PENETRATION

Test size 48" wide x 48" high (1219 x 1219)

Beginning point of water penetration at .01 oz./sq. ft. is 1023 fpm (312 m/min).



FREE AREA GUIDE

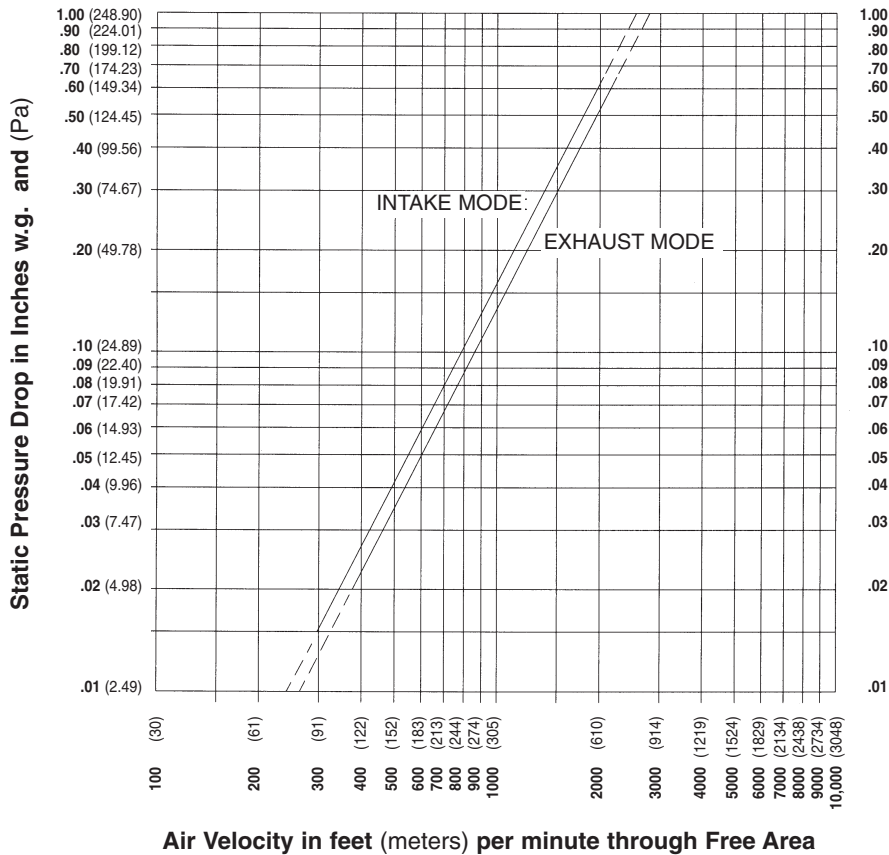
Free Area Guide shows free area in ft² and m² for various sizes of LSA6D38DC.

Width – Inches and Meters

Height – Inches and Meters	12	18	24	30	36	42	48	54	60	66	72	78	84	90	96	102	108	114	120
	0.30	0.46	0.61	0.76	0.91	1.07	1.22	1.37	1.52	1.68	1.83	1.98	2.13	2.29	2.44	2.59	2.74	2.90	3.05
12 0.30	0.31 0.03	0.49 0.05	0.67 0.06	0.86 0.08	1.04 0.10	1.22 0.11	1.41 0.13	1.59 0.15	1.77 0.16	1.96 0.18	2.14 0.20	2.32 0.22	2.51 0.23	2.69 0.25	2.88 0.27	3.06 0.28	3.25 0.30	3.43 0.32	3.61 0.34
18 0.46	0.58 0.05	0.93 0.09	1.28 0.12	1.63 0.15	1.98 0.18	2.32 0.22	2.68 0.25	3.03 0.28	3.37 0.31	3.73 0.35	4.08 0.38	4.42 0.41	4.77 0.44	5.13 0.48	5.48 0.51	5.82 0.54	6.18 0.57	6.52 0.61	6.87 0.64
24 0.61	0.86 0.08	1.38 0.13	1.89 0.18	2.40 0.22	2.92 0.27	3.43 0.32	3.96 0.37	4.47 0.42	4.98 0.46	5.50 0.51	6.02 0.56	6.53 0.61	7.05 0.66	7.57 0.70	8.09 0.75	8.60 0.80	9.12 0.85	9.63 0.89	10.15 0.94
30 0.76	1.14 0.11	1.82 0.17	2.50 0.23	3.18 0.30	3.87 0.36	4.54 0.42	5.24 0.49	5.92 0.55	6.59 0.61	7.28 0.68	7.97 0.74	8.64 0.80	9.33 0.87	10.01 0.93	10.70 0.99	11.37 1.06	12.06 1.12	12.74 1.18	13.42 1.25
36 0.91	1.41 0.13	2.26 0.21	3.11 0.29	3.95 0.37	4.80 0.45	5.64 0.52	6.52 0.61	7.35 0.68	8.18 0.76	9.04 0.84	9.89 0.92	10.73 1.00	11.58 1.08	12.44 1.16	13.29 1.24	14.13 1.31	14.98 1.39	15.82 1.47	16.67 1.55
42 1.07	1.69 0.16	2.70 0.25	3.72 0.35	4.72 0.44	5.75 0.53	6.74 0.63	7.79 0.72	8.79 0.82	9.79 0.91	10.81 1.00	11.83 1.10	12.83 1.19	13.86 1.29	14.88 1.38	15.89 1.48	16.90 1.57	17.92 1.67	18.92 1.76	19.94 1.85
48 1.22	1.97 0.18	3.15 0.29	4.33 0.40	5.50 0.51	6.69 0.62	7.86 0.73	9.08 0.84	10.24 0.95	11.40 1.06	12.59 1.17	13.78 1.28	14.95 1.39	16.14 1.50	17.33 1.61	18.51 1.72	19.68 1.83	20.87 1.94	22.04 2.05	23.23 2.16
54 1.37	2.24 0.21	3.59 0.33	4.94 0.46	6.27 0.58	7.63 0.71	8.96 0.83	10.35 0.96	11.67 1.08	13.00 1.21	14.35 1.33	15.71 1.46	17.04 1.58	18.40 1.71	19.75 1.84	21.10 1.96	22.44 2.09	23.79 2.21	25.12 2.33	26.48 2.46
60 1.52	2.52 0.23	4.03 0.37	5.55 0.52	7.05 0.66	8.57 0.80	10.06 0.93	11.62 1.08	13.12 1.22	14.60 1.36	16.13 1.50	17.65 1.64	19.14 1.78	20.67 1.92	22.19 2.06	23.71 2.20	25.21 2.34	26.73 2.48	28.22 2.62	29.75 2.76
66 1.68	2.80 0.26	4.47 0.42	6.16 0.57	7.82 0.73	9.51 0.88	11.17 1.04	12.90 1.20	14.56 1.35	16.20 1.51	17.90 1.66	19.59 1.82	21.24 1.97	22.94 2.13	24.63 2.29	26.31 2.44	27.98 2.60	29.67 2.76	31.32 2.91	33.01 3.07
72 1.83	3.08 0.29	4.92 0.46	6.76 0.63	8.59 0.80	10.45 0.97	12.27 1.14	14.18 1.32	16.00 1.49	17.81 1.66	19.67 1.83	21.53 2.00	23.35 2.17	25.21 2.34	27.07 2.52	28.91 2.69	30.74 2.86	32.60 3.03	34.42 3.20	36.28 3.37
78 1.98	3.35 0.31	5.36 0.50	7.37 0.68	9.37 0.87	11.40 1.06	13.38 1.24	15.45 1.44	17.44 1.61	19.41 1.80	21.44 1.99	23.47 2.18	25.45 2.37	27.48 2.55	29.51 2.74	31.52 2.93	33.51 3.11	35.54 3.30	37.52 3.49	39.55 3.68
84 2.13	3.63 0.34	5.80 0.54	7.98 0.74	10.14 0.94	12.34 1.15	14.48 1.35	16.73 1.54	18.88 1.75	21.02 1.95	23.21 2.16	25.41 2.36	27.55 2.56	29.75 2.76	31.94 2.97	34.12 3.17	36.28 3.37	38.48 3.58	40.62 3.77	42.82 3.98
90 2.29	3.91 0.36	6.25 0.58	8.59 0.80	10.92 1.01	13.28 1.23	15.59 1.45	18.01 1.67	20.32 1.89	22.62 2.10	24.98 2.32	27.35 2.54	29.65 2.76	32.02 2.98	34.38 3.19	36.73 3.41	39.05 3.63	41.41 3.85	43.72 4.06	46.09 4.28

PRESSURE DROP

Test size 48" wide x 48" high (1219 x 1219)

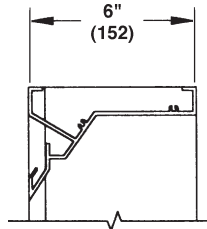
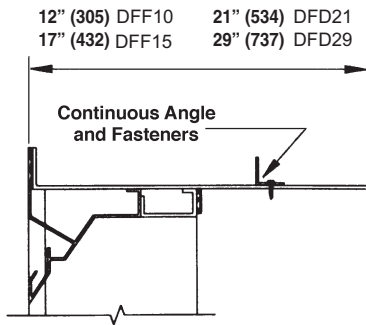


Ratings do not include the effect of a bird screen.

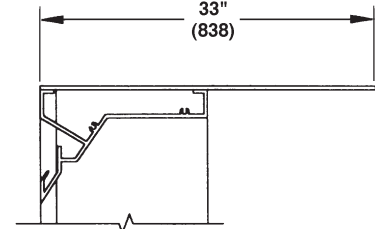


Nystrom Manufacturing Company certifies that the LSA6D38DC Louver shown herein is licensed to bear the AMCA Seal. The ratings shown are based on tests and procedures performed in accordance with AMCA Publication 511 and comply with the requirements of the AMCA Certified Ratings Program. The AMCA Certified Ratings Seal applies to air performance ratings and water penetration ratings only.

FRAME CONSTRUCTION



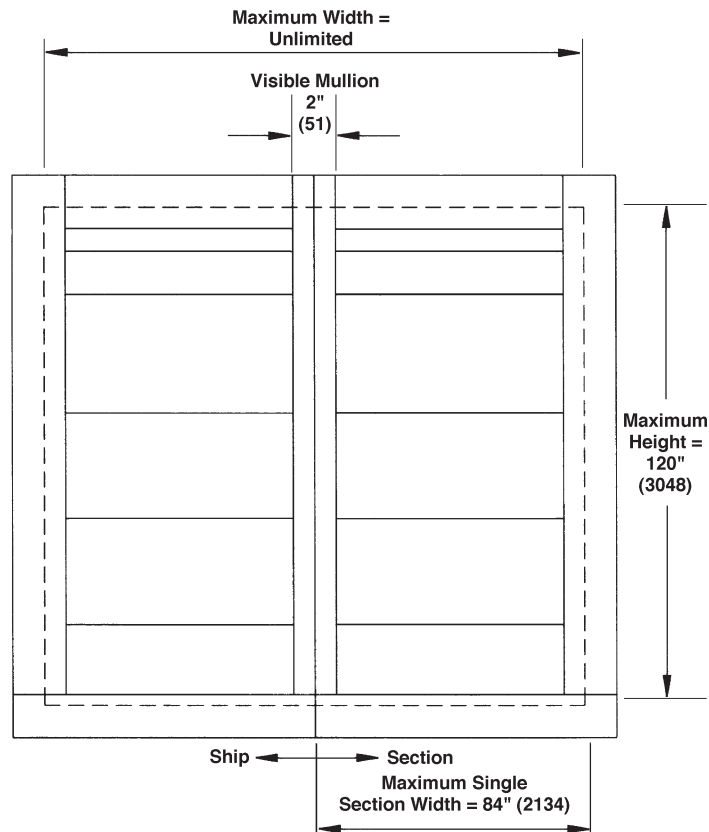
Channel Frame (CHF)
See general note #4.



Sleeved Channel (SCH)

Dade Flange Frame (DFF)
see general note #3
DFD21 and DFD29 are for
LAA56CD combination Units

DADE FLANGE FRAME CONSTRUCTION



FRONT ELEVATION OF LSA6D38DC LOUVER

GENERAL NOTES:

1. Reference separate Installation Instruction sheets for installation details. Each frame style has a distinct installation method that must be compiled with for Miami-Dade Approval. It is the responsibility of the installing contractor to properly install the louvers per the appropriate detail.
2. On special orders, Nystrom may provide submittal and/or shop drawings. Reference these drawings for additional installation information.
3. Continuous angles and fasteners supplied with DFF louvers are shipped loose.
4. Louvers may be provided with hidden vertical blade supports (HVBS) that increase overall installation depth by several inches. Consult Nystrom Louver Engineering for exact HVBS depth.
5. Louvers wider than the maximum single section width will be shipped in multiple sections and will require field assembly.