

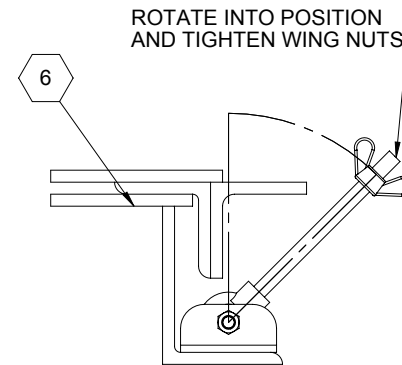
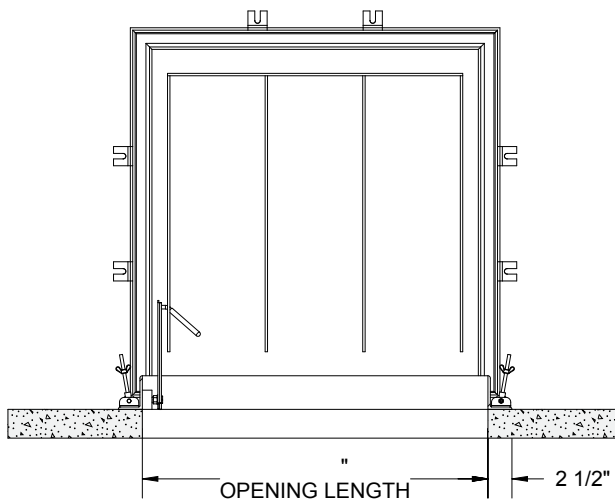
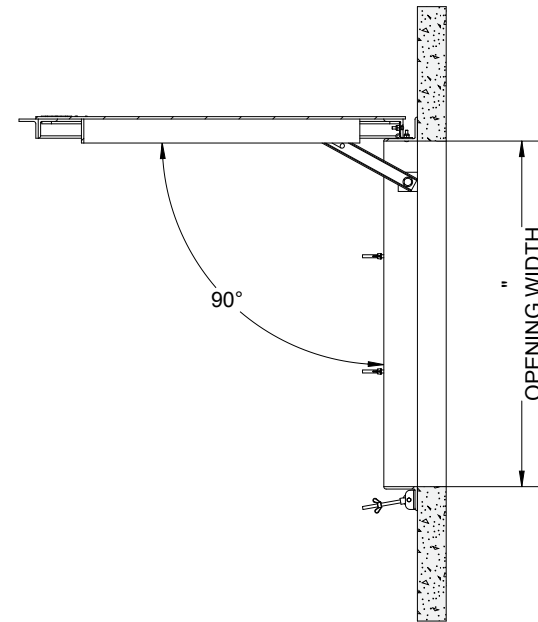
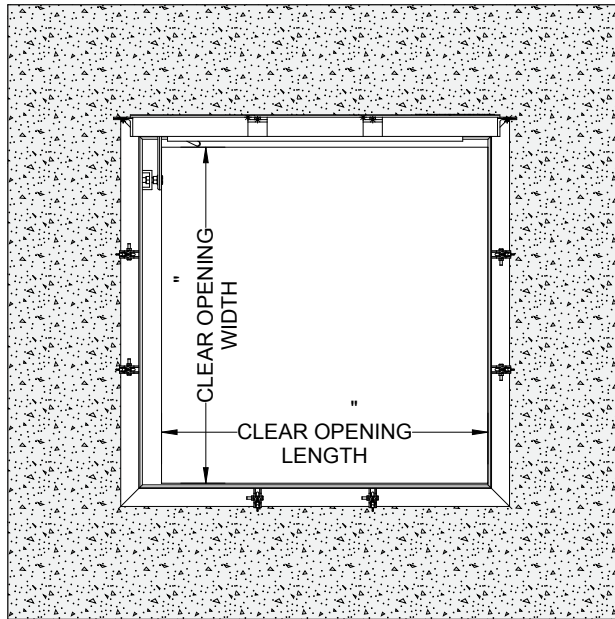
**SPECIFICATIONS:**

- ① **DOOR:** ALUMINUM, 1/4" DIAMOND PLATE, MILL FINISH WITH A LIVE LOAD OF 625 PSF WITH A MAXIMUM DEFLECTION OF L/160
- ② **FRAME:** ALUMINUM, 1/4" EXTRUSION, MILL FINISH
- ③ **HINGES:** TYPE 316 STAINLESS STEEL
- ④ **PRESSURE LOCK LATCHES:** TYPE 316 STAINLESS STEEL
- ⑤ **HOLD-OPEN ARM:** TYPE 316 STAINLESS STEEL WITH RED VINYL GRIP HANDLE

- ⑥ **WATER TIGHT GASKET:** EPDM, AROUND ENTIRE HATCH
- 7. **CERTIFICATIONS:** TESTED TO BE WATER TIGHT UNDER APPLIED PRESSURE OF A 10 FOOT COLUMN OF WATER
- FLOOR DOOR SIZE:**  
" (WIDTH) x " (LENGTH)
- CLEAR UNOBSTRUCTED OPENING:**  
" (WIDTH) x " (LENGTH)
- OPENING:**  
" (WIDTH) x " (LENGTH)

PROPRIETARY AND CONFIDENTIAL: THE INFORMATION CONTAINED IN THIS DRAWING IS THE SOLE PROPERTY OF NYSTROM. ANY REPRODUCTION IN PART OR AS A WHOLE WITHOUT THE WRITTEN PERMISSION OF NYSTROM IS PROHIBITED. THIS IS A GENERIC SHOP DRAWING AND MAY NOT BE AN ACTUAL REPRESENTATION OF THE FINAL PRODUCT.

PROJECT:					
ARCHITECT:					
CONTRACTOR:					
QTY:					
PART#:		FDWT X SB			
 Right to site.™ 9300 73rd Avenue North Brooklyn Park, MN 55428		TITLE: Floor Door, Water Tight Series, Sngl Dr, 316 SST Hdw, Alum, Mill, 625 PSF, Bolt-In, Pressure Lock Latches			
NAME	DATE	SIZE	DWG. NO.	REV	
DRAWN	JE	04/18/11	A	FDWT_X_SB	A
RELEASED	DWO	04/18/11	WEIGHT: Varies	SHEET 1 OF 2	



**PRESSURE LOCK LATCH DETAIL**

			TITLE: Floor Door, Water Tight Series, Sngl Dr, 316 SST Hdw, Alum, Mill, 625 PSF, Bolt-In, Pressure Lock Latches		
Right to site. <sup>™</sup> 9300 73rd Avenue North Brooklyn Park, MN 55428			SIZE	DWG. NO.	REV
DRAWN	NAME	DATE	A	FDWT_X_SB	A
RELEASED	DWO	04/18/11	WEIGHT: Varies	SHEET 2 OF 2	

PROPRIETARY AND CONFIDENTIAL: THE INFORMATION CONTAINED IN THIS DRAWING IS THE SOLE PROPERTY OF NYSTROM. ANY REPRODUCTION IN PART OR AS A WHOLE WITHOUT THE WRITTEN PERMISSION OF NYSTROM IS PROHIBITED. THIS IS A GENERIC SHOP DRAWING AND MAY NOT BE AN ACTUAL REPRESENTATION OF THE FINAL PRODUCT.