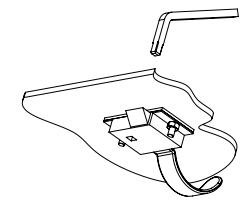
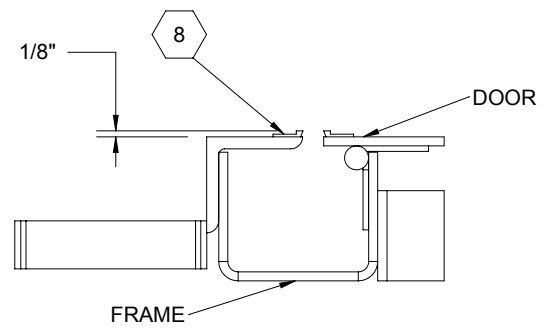
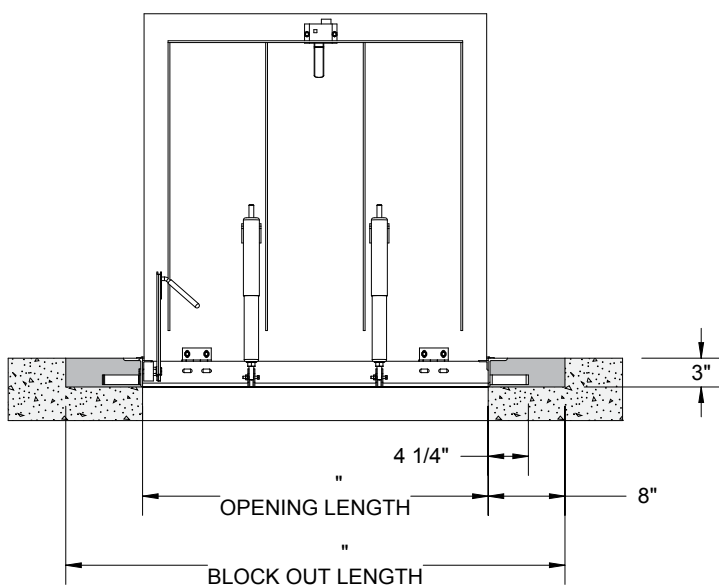
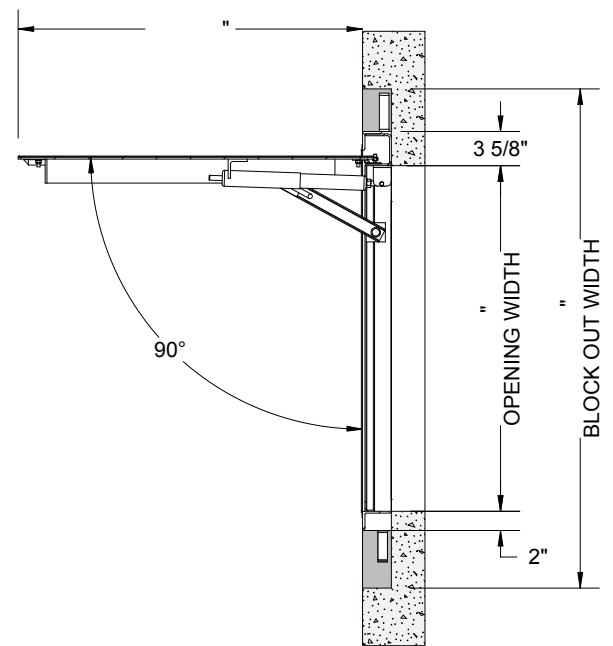
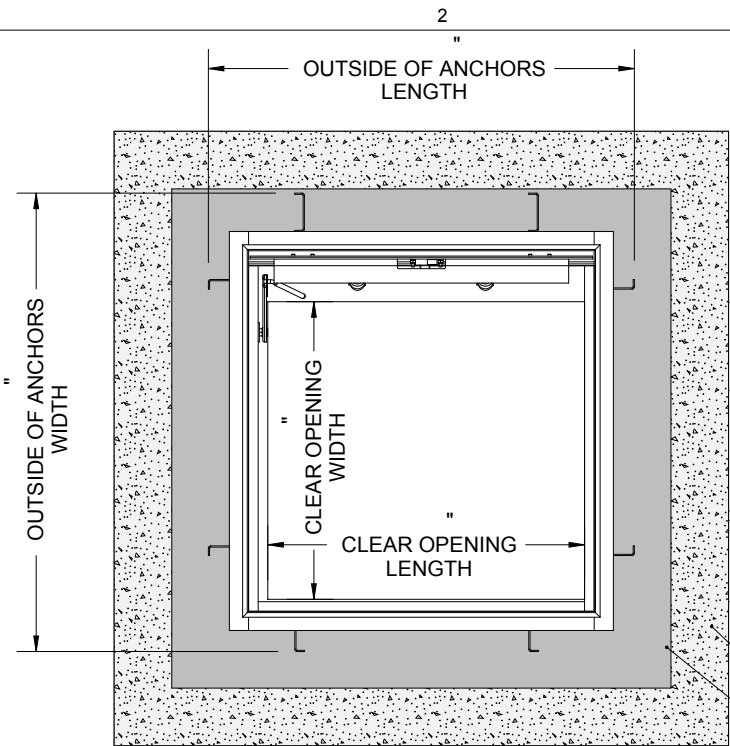


SPECIFICATIONS:

- ① **DOOR:** STEEL, 3/16" SMOOTH PLATE, RECESSED, GRAY PRIMER COAT WITH A LIVE LOAD OF 300 PSF WITH A MAXIMUM DEFLECTION OF L/160
 - ② **FRAME:** STEEL, 3/16" FORMED, RECESSED, GRAY PRIMER COAT
 - ③ **HINGES:** TYPE 316 STAINLESS STEEL
 - ④ **SLAM LATCH:** TYPE 316 STAINLESS STEEL WITH INSIDE LEVER HANDLE AND OUTSIDE REMOVABLE 5/16" SQUARE L HANDLE
 - ⑤ **COUNTER-BALANCE SPRING:** TYPE 17-7 STAINLESS STEEL SPRING ENCLOSED IN A TYPE 316 STAINLESS STEEL TELESCOPING TUBE
 - ⑥ **HOLD-OPEN ARM:** TYPE 316 STAINLESS STEEL WITH RED VINYL GRIP HANDLE
 - ⑦ **ANCHOR:** 4" CONCRETE ANCHOR STRAPS PROVIDED
 - ⑧ **TILE EXTRUSION:** ALUMINUM, RECESSED FOR 1/8" FLOOR COVERING
- FLOOR DOOR SIZE:**
" (WIDTH) x " (LENGTH)
- CLEAR UNOBSTRUCTED OPENING:**
" (WIDTH) x " (LENGTH)
- OPENING:**
" (WIDTH) x " (LENGTH)

PROPRIETARY AND CONFIDENTIAL: THE INFORMATION CONTAINED IN THIS DRAWING IS THE SOLE PROPERTY OF NYSTROM. ANY REPRODUCTION IN PART OR AS A WHOLE WITHOUT THE WRITTEN PERMISSION OF NYSTROM IS PROHIBITED. THIS IS A GENERIC SHOP DRAWING AND MAY NOT BE AN ACTUAL REPRESENTATION OF THE FINAL PRODUCT.

| | | | |
|---|----------|---|-------------|
| PROJECT: | | | |
| ARCHITECT: | | | |
| CONTRACTOR: | | | |
| QTY: | | | |
| PART#: | | FDRPP X SAL | |
| NYSTROM <small>Right to site.™ 9300 73rd Avenue North Brooklyn Park, MN 55428</small> | | TITLE: Floor Door, Recessed Series, Sngl Dr, 316 SST Hdw, Steel, Prime Coat, Pedestrian, Cast-In Anchors, Slam Latch Removbl L Hdl | |
| NAME | DATE | SIZE | DWG. NO. |
| DRAWN JE | 04/18/11 | A | FDRPP_X_SAL |
| RELEASED DWO | 04/18/11 | WEIGHT: Varies | REV A |



TILE EXTRUSION DETAIL

SLAM LATCH DETAIL

| | | | | | |
|--|------|----------|----------------|---|---|
| | | | | TITLE: Floor Door, Recessed Series, Sngl Dr, 316 SST Hdw, Steel, Prime Coat, Pedestrian, Cast-In Anchors, Slam Latch Removbl L Hdl | |
| Right to site. [™] 9300 73rd Avenue North Brooklyn Park, MN 55428 | | | | | |
| NAME | DATE | SIZE | DWG. NO. | REV | |
| DRAWN | JE | 04/18/11 | A | FDRPP_X_SAL | A |
| RELEASED | DWO | 04/18/11 | WEIGHT: Varies | SHEET 2 OF 2 | |

PROPRIETARY AND CONFIDENTIAL: THE INFORMATION CONTAINED IN THIS DRAWING IS THE SOLE PROPERTY OF NYSTROM. ANY REPRODUCTION IN PART OR AS A WHOLE WITHOUT THE WRITTEN PERMISSION OF NYSTROM IS PROHIBITED. THIS IS A GENERIC SHOP DRAWING AND MAY NOT BE AN ACTUAL REPRESENTATION OF THE FINAL PRODUCT.