

**SPECIFICATIONS:**

- ① **DOOR:** STEEL, 3/16" DIAMOND PLATE, GRAY PRIMER COAT WITH A H20 LOAD RATING FOR INFREQUENT LOW SPEED TRAFFIC WITH A MAXIMUM DEFLECTION OF L/160
  - ② **FRAME:** STEEL, 3/16" ANGLE, GRAY PRIMER COAT
  - ③ **HINGES:** TYPE 316 STAINLESS STEEL
  - ④ **SLAM LATCH:** TYPE 316 STAINLESS STEEL WITH INSIDE LEVER HANDLE AND OUTSIDE REMOVABLE 5/16" SQUARE L HANDLE
  - ⑤ **COUNTER-BALANCE SPRING:** TYPE 17-7 STAINLESS STEEL SPRING ENCLOSED IN A TYPE 316 STAINLESS STEEL TELESCOPING TUBE
  - ⑥ **HOLD-OPEN ARM:** TYPE 316 STAINLESS STEEL
  - ⑦ **ANCHOR:** 4" CONCRETE ANCHOR STRAPS PROVIDED
  - ⑧ **FLUSH LIFTING HANDLE:** TYPE 316 STAINLESS STEEL
- FLOOR DOOR SIZE:**  
" (WIDTH) x " (LENGTH)
- CLEAR UNOBSTRUCTED OPENING:**  
" (WIDTH) x " (LENGTH)
- OPENING:**  
" (WIDTH) x " (LENGTH)

PROPRIETARY AND CONFIDENTIAL: THE INFORMATION CONTAINED IN THIS DRAWING IS THE SOLE PROPERTY OF NYSTROM. ANY REPRODUCTION IN PART OR AS A WHOLE WITHOUT THE WRITTEN PERMISSION OF NYSTROM IS PROHIBITED. THIS IS A GENERIC SHOP DRAWING AND MAY NOT BE AN ACTUAL REPRESENTATION OF THE FINAL PRODUCT.

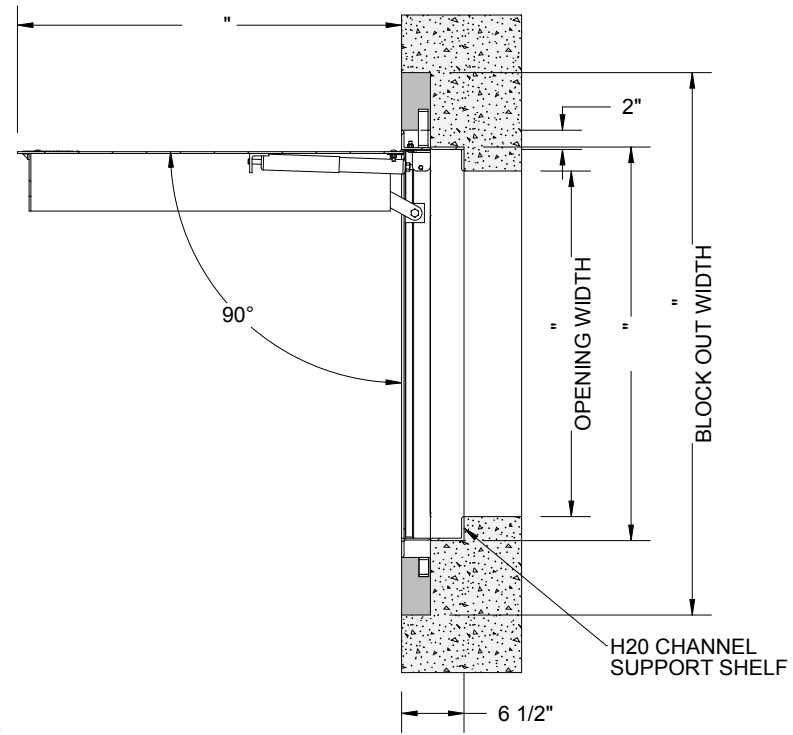
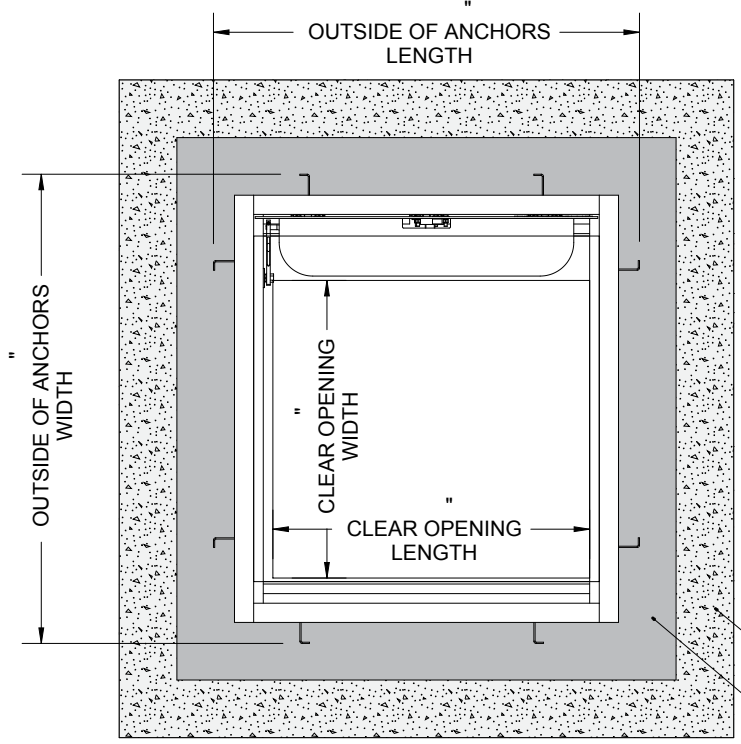
|  |     |  |                |             |              |
|--|-----|--|----------------|-------------|--------------|
| PROJECT:   |     |  |                |             |              |
| ARCHITECT:   |     |  |                |             |              |
| CONTRACTOR:  |     |  |                |             |              |
| QTY:   |     |  |                |             |              |
| PART#:   |     | <b>FDEHP X SAL</b>   |                |             |              |
| <b>NYSTROM</b><br>Right to site.™<br>9300 73rd Avenue North<br>Brooklyn Park, MN 55428 |     | TITLE: Floor Door, Non-Drainable,<br>Sngl Dr, 316 SST Hdw,<br>Steel, Prime Coat, H20, Cast-In Anchors, Slam<br>Latch Removbl L Hdl |                |             |              |
|  |     | NAME   | DATE           | SIZE        | DWG. NO.     |
| DRAWN  | JE  | 04/18/11   | A              | FDEHP_X_SAL | A            |
| RELEASED   | DWO | 04/18/11   | WEIGHT: Varies |             | SHEET 1 OF 2 |

2

1

B

B

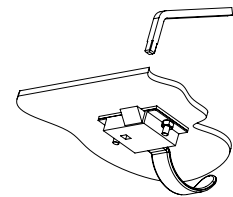
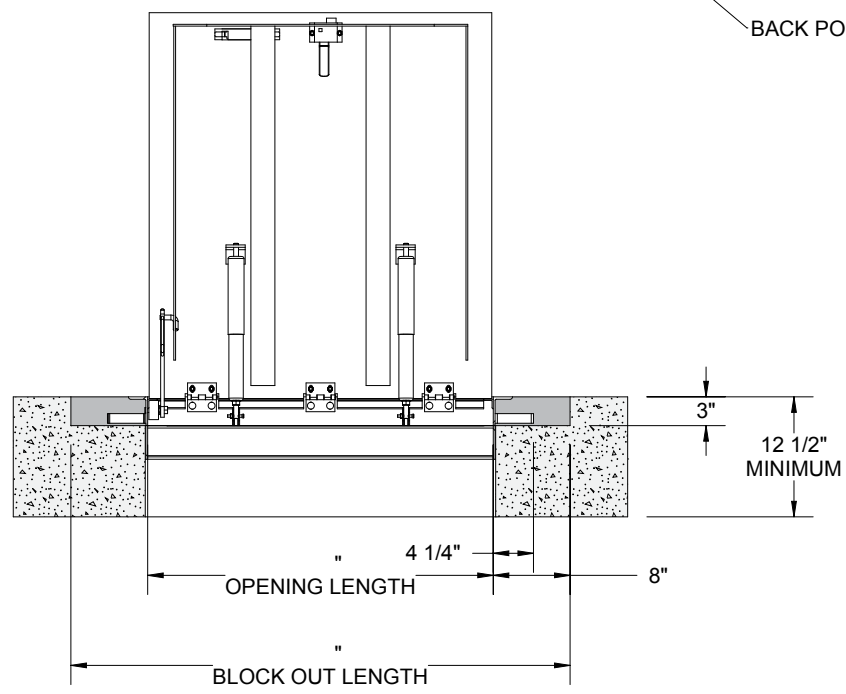


CONCRETE

BACK POUR AREA

A

A



**SLAM LATCH DETAIL**

|   |          |                |   |              |  |
|---|----------|----------------|---|--------------|--|
| <p>Right to site.<sup>SM</sup><br/>         9300 73rd Avenue North<br/>         Brooklyn Park, MN 55428</p> |          |                | TITLE: Floor Door, Existing Opening,<br>Sngl Dr, 316 SST Hdw,<br>Steel, Prime Coat, H2O, Cast-In Anchors, Slam<br>Latch Removbl L Hdl |              |  |
| NAME  | DATE     | SIZE           | DWG. NO.  | REV          |  |
| DRAWN JE  | 04/18/11 | A              | FDEHP_X_SAL   | A            |  |
| RELEASED DWO  | 04/18/11 | WEIGHT: Varies |   | SHEET 2 OF 2 |  |

PROPRIETARY AND CONFIDENTIAL: THE INFORMATION CONTAINED IN THIS DRAWING IS THE SOLE PROPERTY OF NYSTROM. ANY REPRODUCTION IN PART OR AS A WHOLE WITHOUT THE WRITTEN PERMISSION OF NYSTROM IS PROHIBITED. THIS IS A GENERIC SHOP DRAWING AND MAY NOT BE AN ACTUAL REPRESENTATION OF THE FINAL PRODUCT.

2

1