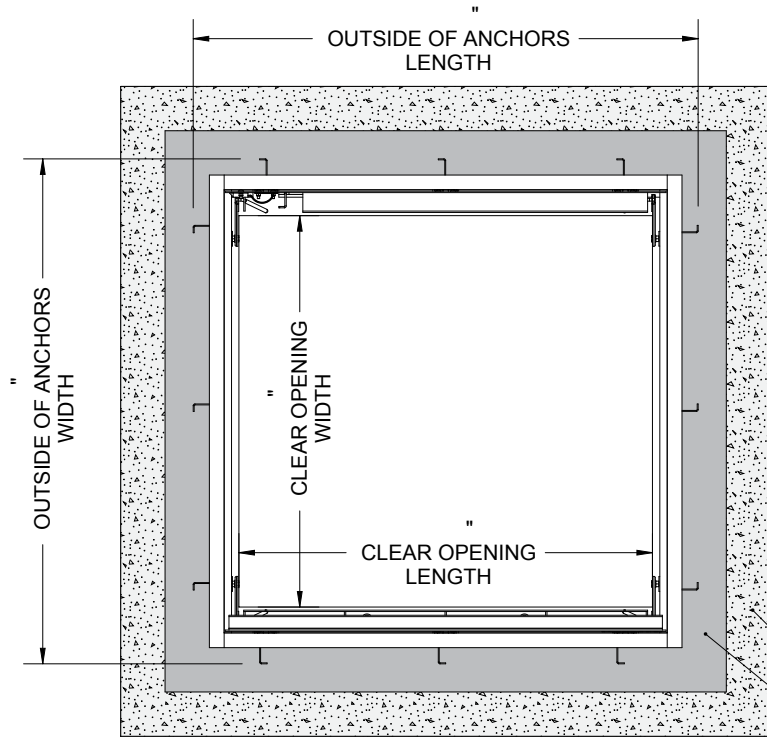


SPECIFICATIONS:

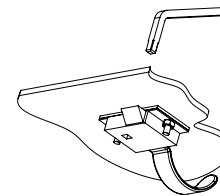
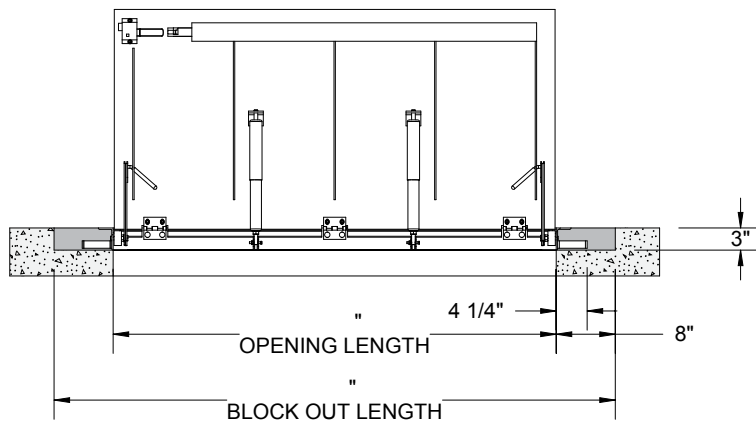
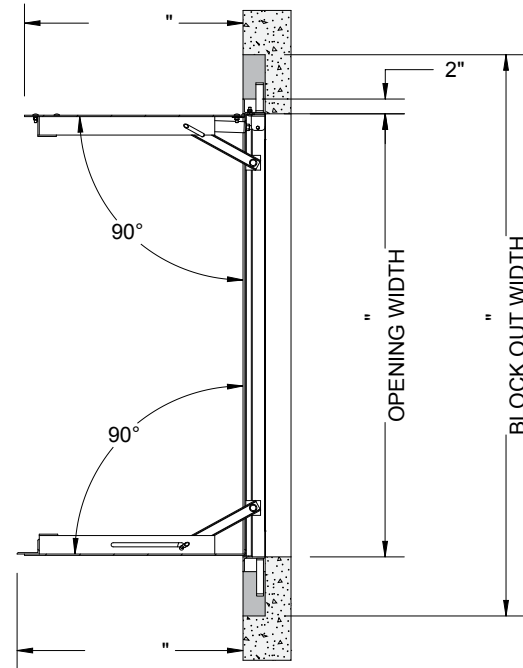
- ① **DOOR:** STEEL, 3/16" DIAMOND PLATE, GRAY PRIMER COAT WITH A LIVE LOAD OF 300 PSF WITH A MAXIMUM DEFLECTION OF L/160
 - ② **FRAME:** STEEL, 3/16" ANGLE, GRAY PRIMER COAT
 - ③ **HINGES:** TYPE 316 STAINLESS STEEL
 - ④ **SLAM LATCH:** TYPE 316 STAINLESS STEEL WITH INSIDE LEVER HANDLE AND OUTSIDE REMOVABLE 5/16" SQUARE L HANDLE
 - ⑤ **COUNTER-BALANCE SPRING:** TYPE 17-7 STAINLESS STEEL SPRING ENCLOSED IN A TYPE 316 STAINLESS STEEL TELESCOPING TUBE
 - ⑥ **HOLD-OPEN ARM:** TYPE 316 STAINLESS STEEL WITH RED VINYL GRIP HANDLE
 - ⑦ **ANCHOR:** 4" CONCRETE ANCHOR STRAPS PROVIDED
 - ⑧ **FLUSH LIFTING HANDLE:** TYPE 316 STAINLESS STEEL
- FLOOR DOOR SIZE:** " (WIDTH) x " (LENGTH)
CLEAR UNOBSTRUCTED OPENING: " (WIDTH) x " (LENGTH)
OPENING: " (WIDTH) x " (LENGTH)

PROPRIETARY AND CONFIDENTIAL: THE INFORMATION CONTAINED IN THIS DRAWING IS THE SOLE PROPERTY OF NYSTROM. ANY REPRODUCTION IN PART OR AS A WHOLE WITHOUT THE WRITTEN PERMISSION OF NYSTROM IS PROHIBITED. THIS IS A GENERIC SHOP DRAWING AND MAY NOT BE AN ACTUAL REPRESENTATION OF THE FINAL PRODUCT.

PROJECT:					
ARCHITECT:					
CONTRACTOR:					
QTY:					
PART#:		FDEPP X DAL			
 <small>Right to site.™</small> 9300 73rd Avenue North Brooklyn Park, MN 55428		TITLE: Floor Door, Non-Drainable, Dbl Dr, 316 SST Hdw, Steel, Prime Coat, Pedestrian, Cast-In Anchors, Slam Latch Removbl L Hdl			
NAME	DATE	SIZE	DWG. NO.	REV	
DRAWN	JE	04/18/11	A	FDEPP_X_DAL	A
RELEASED	DWO	04/18/11	WEIGHT: Varies	SHEET 1 OF 2	



CONCRETE
BACK POUR AREA



SLAM LATCH DETAIL

<p>Right to site.[™] 9300 73rd Avenue North Brooklyn Park, MN 55428</p>			<p>TITLE: Floor Door, Existing Opening, Dbl Dr, 316 SST Hdw, Steel, Prime Coat, Pedestrian, Cast-In Anchors, Slam Latch Removbl L Hdl</p>		
NAME	DATE	SIZE	DWG. NO.		
DRAWN	JE	04/18/11	A	FDEPP_X_DAL	REV A
RELEASED	DWO	04/18/11	WEIGHT: Varies	SHEET 2 OF 2	

PROPRIETARY AND CONFIDENTIAL: THE INFORMATION CONTAINED IN THIS DRAWING IS THE SOLE PROPERTY OF NYSTROM. ANY REPRODUCTION IN PART OR AS A WHOLE WITHOUT THE WRITTEN PERMISSION OF NYSTROM IS PROHIBITED. THIS IS A GENERIC SHOP DRAWING AND MAY NOT BE AN ACTUAL REPRESENTATION OF THE FINAL PRODUCT.