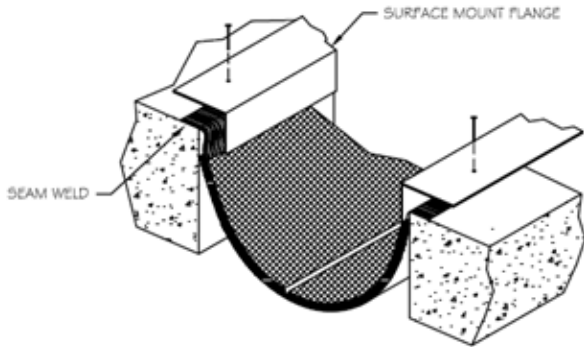
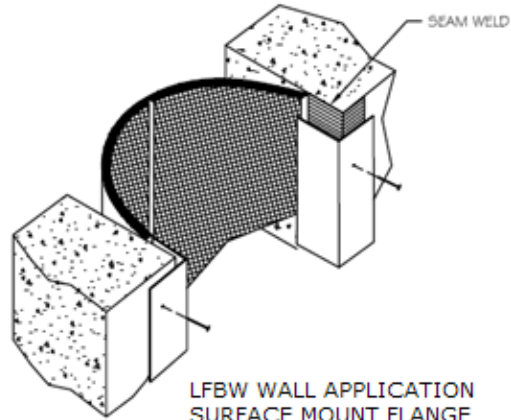


Fire Guard Light

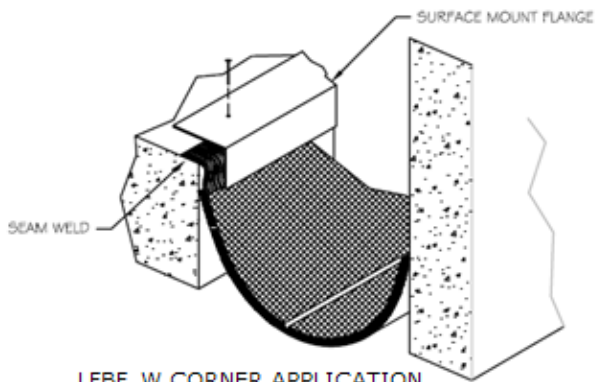
Non-Seismic Conditions



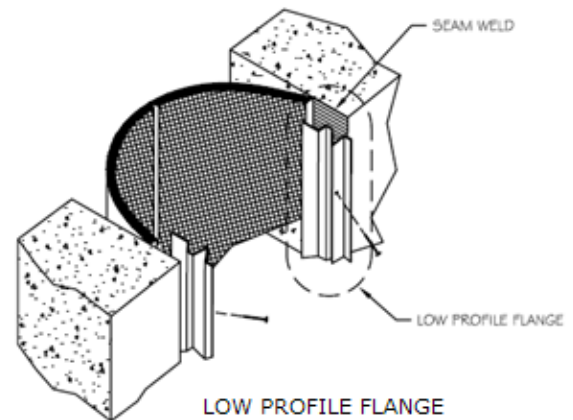
LFBF FLOOR APPLICATION
SURFACE MOUNT FLANGE



LFBW WALL APPLICATION
SURFACE MOUNT FLANGE



LFBF_W CORNER APPLICATION
SURFACE MOUNT FLANGE



LOW PROFILE FLANGE

SPECIFICATIONS:

- THE FIRE BARRIER PRODUCTS ARE TESTED AND APPROVED BY THE UNDERWRITERS LABORATORIES: UL 2079
- 2 HOUR FIRE RATING
- 1" TO 6" SIZES ARE AVAILABLE IN 25' ROLLS
- 7" AND LARGER ARE AVAILABLE IN 10' ROLLS

OPTIONS: (CHOOSE ONE)

- LOW PROFILE FLANGE (SEE DETAIL)
- SURFACE MOUNT FLANGE

System Sizes:
LFBF-100 thru 2000
LFBF-100W thru 2000W
LFBW-100 thru 2000



Right to site.

Call: 800-547-2635 Fax: 800-317-8770

USA or Canada

Web: www.nystrom.com

E-mail: info@nvstrom.com

PROJECT: _____

CONTRACTOR: _____

ARCHITECT: _____

INITIALS: QTY: DATE: PART NUMBER: