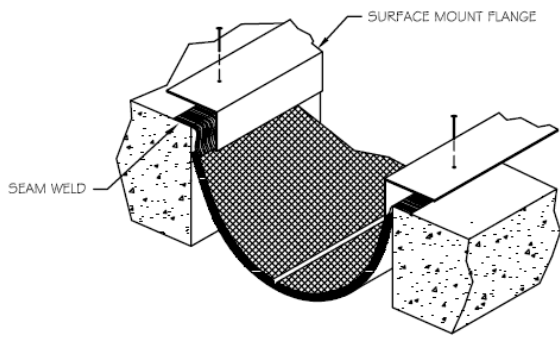
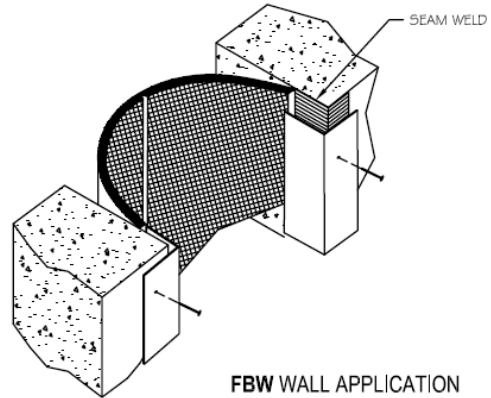


# Fire Guard

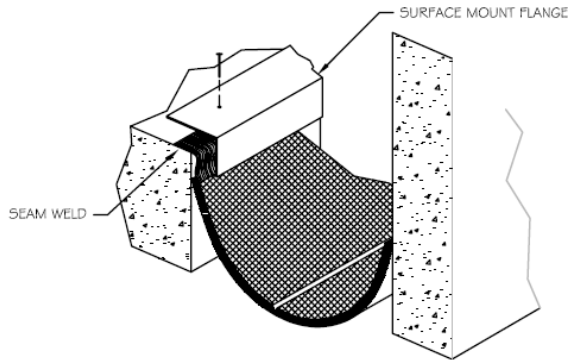
## Seismic Conditions



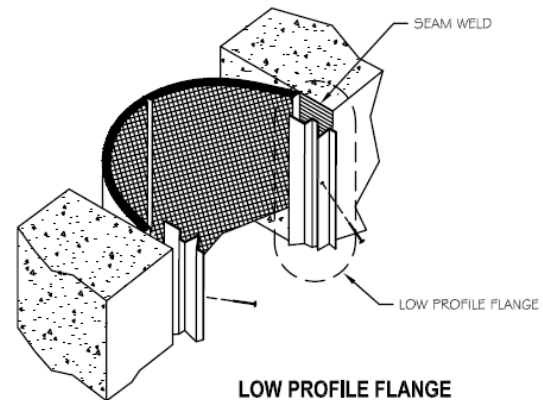
**FBF FLOOR APPLICATION**  
**SURFACE MOUNT FLANGE**



**FBW WALL APPLICATION**  
**SURFACE MOUNT FLANGE**



**FBFW CORNER APPLICATION**  
**SURFACE MOUNT FLANGE**



**LOW PROFILE FLANGE**

**SPECIFICATIONS:**

- THE FIRE BARRIER PRODUCTS ARE TESTED AND APPROVED BY THE UNDERWRITERS LABORATORIES: UL 2079
- 2 HOUR FIRE RATING
- ABLE TO WITHSTAND 50% MOVEMENT
- 1" TO 6" SIZES ARE AVAILABLE IN 25' ROLLS
- 7" AND LARGER ARE AVAILABLE IN 10' ROLLS

**OPTIONS: (CHOOSE ONE)**

- LOW PROFILE FLANGE (SEE DETAIL)
- SURFACE MOUNT FLANGE

**System Sizes:**  
**FBF-100 thru 2000**  
**FBF-100W thru 2000W**  
**FBW-100 thru 2000**



Right to site.

Call: 800-547-2635 Fax: 800-317-8770

USA or Canada

Web: [www.nystrom.com](http://www.nystrom.com)

E-mail: [info@nystrom.com](mailto:info@nystrom.com)

PROJECT: \_\_\_\_\_

CONTRACTOR: \_\_\_\_\_

ARCHITECT: \_\_\_\_\_

INITIALS:

QTY:

DATE:

PART NUMBER: