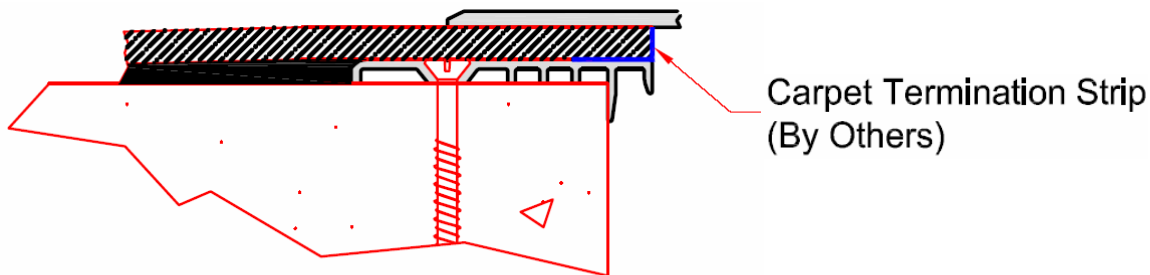
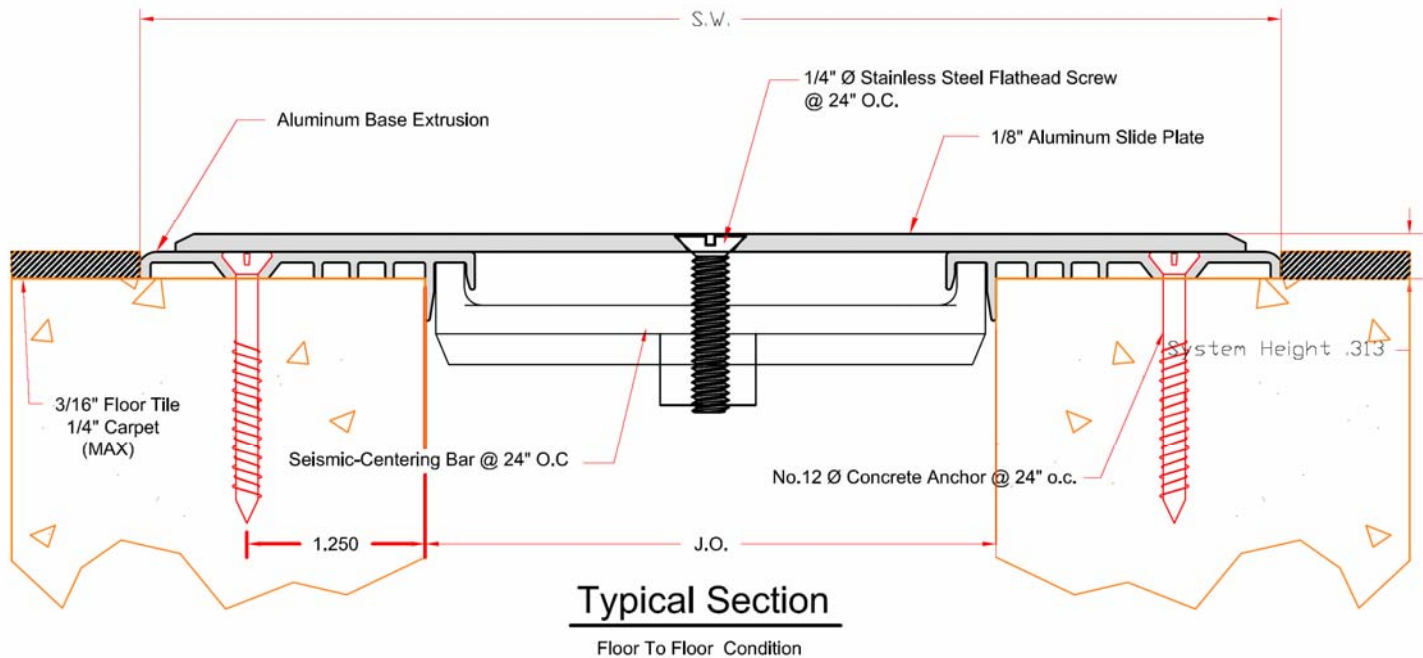


EJ-FLS Series

Expansion joint cover for floors
Floor to floor condition



Optional Carpet Treatment Detail

Dimension Chart										
Model	Joint Opening (J.O.)						Total Movement		S.W.	
	at install		allow min.		allow max.		inches	mm	at install	
	inches	mm	inches	mm	inches	mm			inches	mm
EJ-FLS-200	2	51	1	25	4	102	3	76	6	152
EJ-FLS-400	4	102	1	25	6	152	5	127	8	203
EJ-FLS-600	6	152	1	25	9	229	8	203	10	254

Note: Minimum and maximum values are after movement occurs



Right to site.

Call: 800-547-2635 Fax: 800-317-8770
USA or Canada
Web: www.nystrom.com
E-mail: info@nystrom.com

PROJECT: _____

CONTRACTOR: _____

ARCHITECT: _____

INITIALS: QTY: DATE: PART NUMBER: