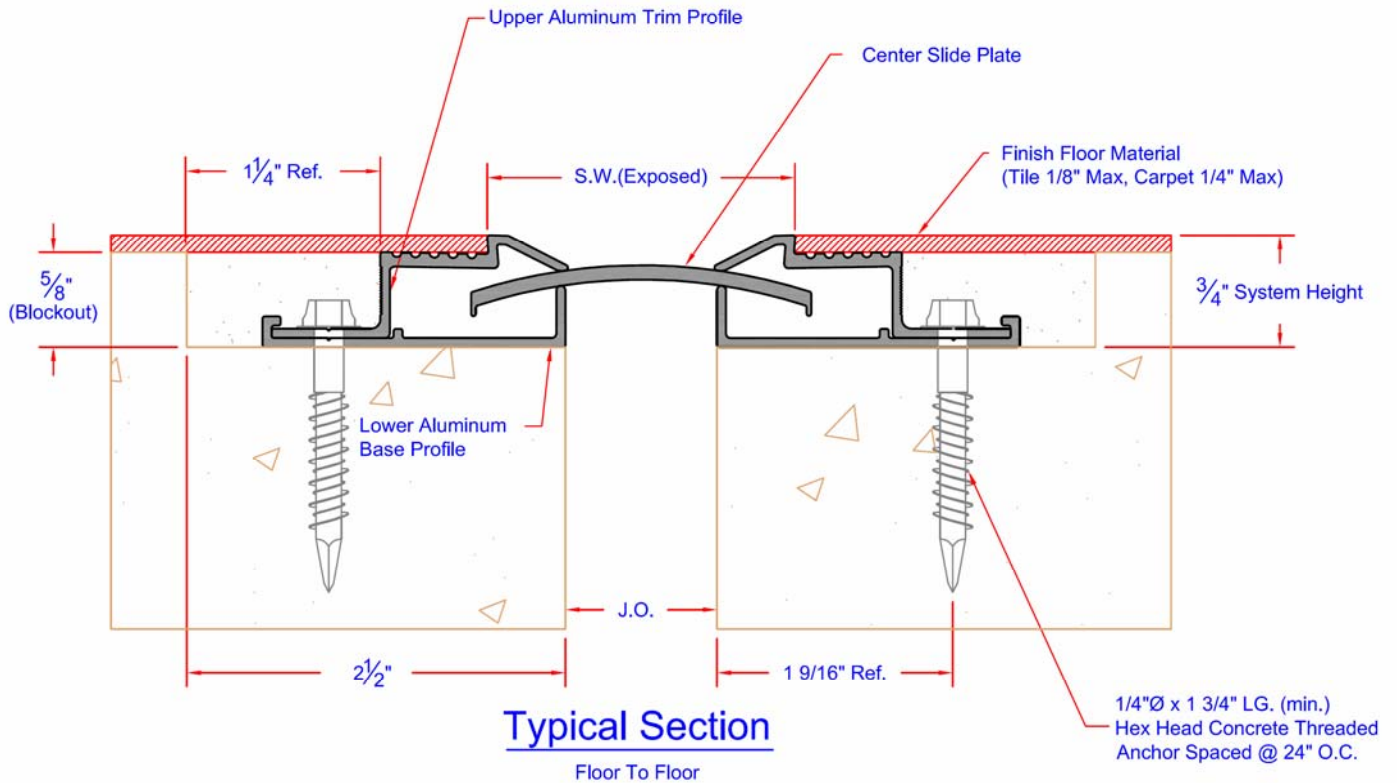


# EJ-NBR Series

Expansion joint cover for floors  
Floor to floor condition



Dimension Chart										
Model	Joint Opening (J.O.)						Total movement		S.W.	
	at install		allow min.		allow max.				at install	
	inches	mm	inches	mm	inches	mm	inches	mm	inches	mm
EJ-NBR-100	1	25	0	0	2	38	2	51	2	51
EJ-NBR-200	2	51	1	25	3	76	2	51	3	76

Note: J.O. minimum and maximum values are after thermal movement occurs.



Right to site.

Call: 800-547-2635 Fax: 800-317-8770  
USA or Canada  
Web: [www.nystrom.com](http://www.nystrom.com)  
E-mail: [info@nystrom.com](mailto:info@nystrom.com)

PROJECT: \_\_\_\_\_

CONTRACTOR: \_\_\_\_\_

ARCHITECT: \_\_\_\_\_

INITIALS: QTY: DATE: PART NUMBER: