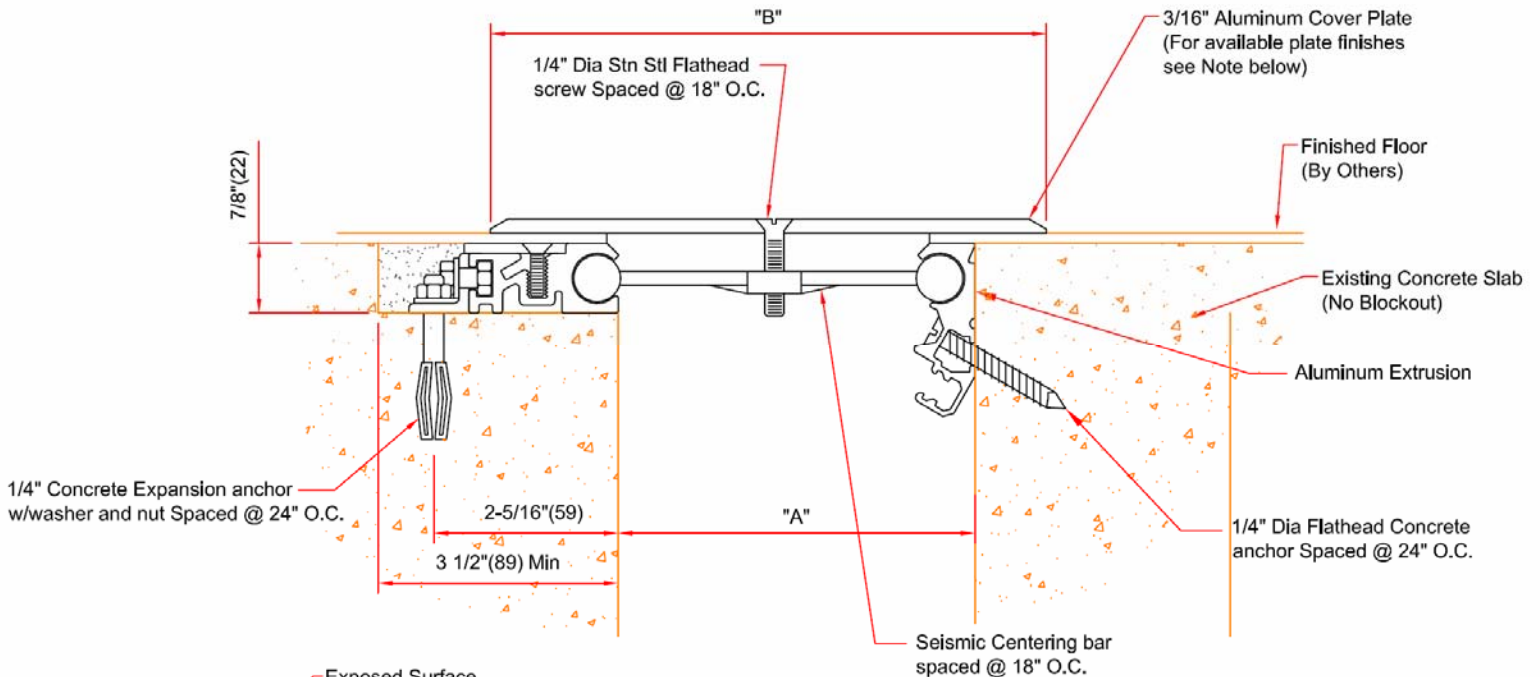


# EJ-SFB Series

## Expansion joint cover for floors

### Floor to floor condition



**EJ-SFB-400 THRU EJ-SFB-1800 DETAIL**  
**FLOOR TO FLOOR CONDITION**

Note: Exposed Surface

- For openings up to 6"
  - Plate supplied with grooved surface/mill finish
- For openings greater than 6"
  - Plate supplied with brush finish
  - Grooves optional for plates up to 24" in width

( ) - Denotes Millimeters

DIMENSION CHART					
Model	"A" @ Min.	"A" @ Mid	"A" @ Max.	"B"	Total Movement
EJ-SFB-400	1" (25)	4" (102)	6" (152)	6 1/2" (165)	5" (127)
EJ-SFB-600	1" (25)	6" (152)	9" (229)	9 1/2" (241)	8" (203)
EJ-SFB-800	1" (25)	8" (203)	12" (305)	12 1/2" (317)	11" (279)
EJ-SFB-1000	1" (25)	10" (254)	15" (381)	15 1/2" (394)	14" (356)
EJ-SFB-1200	1" (25)	12" (305)	18" (457)	18 1/2" (470)	17" (432)
EJ-SFB-1800	1" (25)	18" (457)	27" (686)	27 1/2" (699)	26" (660)

Note: Minimum And Maximum Values Are After Movement Occurs. Mid Point Value Is The Recommended Size Of Opening At Installation.



Right to site.

Call: 800-547-2635 Fax: 800-317-8770  
 USA or Canada  
 Web: www.nystrom.com  
 E-mail: info@nystrom.com

PROJECT: \_\_\_\_\_

CONTRACTOR: \_\_\_\_\_

ARCHITECT: \_\_\_\_\_

INITIALS: QTY: DATE: PART NUMBER: