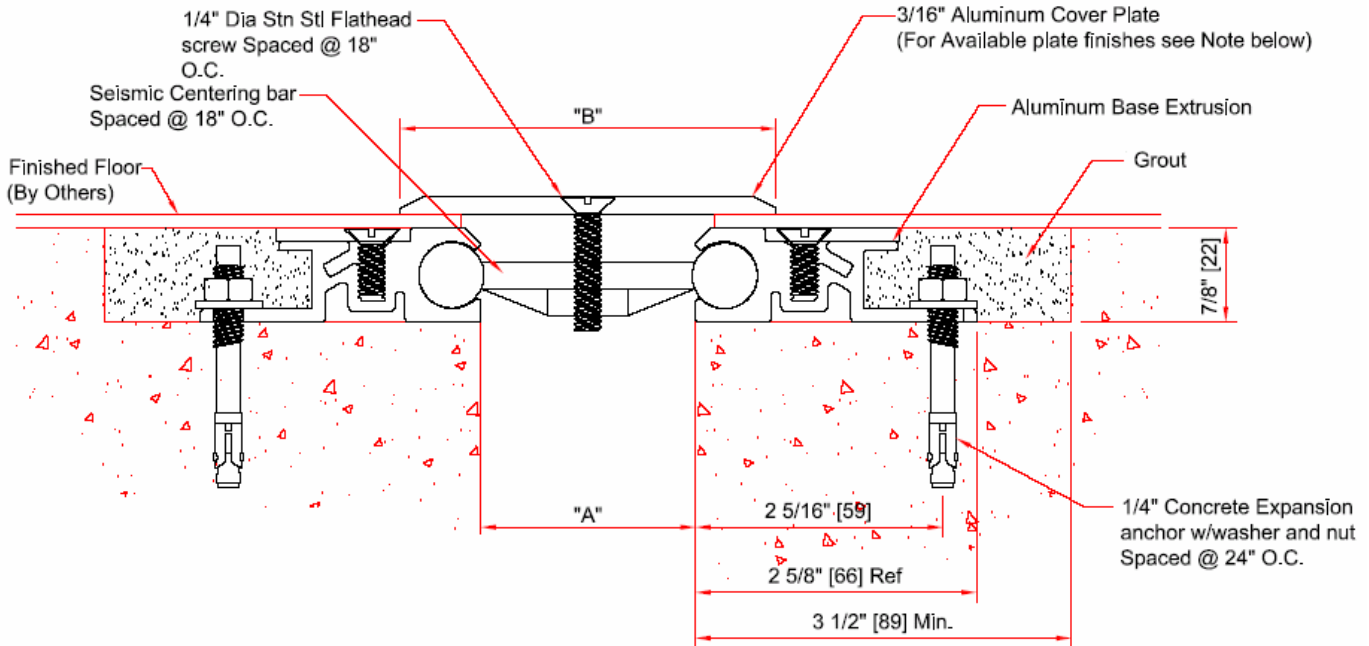


# EJ-SFC Series

## Expansion joint cover for floors Floor to floor condition



**EJ-SFC-200 THRU EJ-SFC-2400 DETAIL**  
FLOOR TO FLOOR CONDITION

Note: Exposed Surface

- For openings up to 6"
  - Plate supplied with grooved surface/mill finish
- For openings greater than 6"
  - Plate supplied with brush finish
  - Grooves optional for plates up to 24" in width

( ) - Denotes Millimeters

DIMENSION CHART					
Model	"A" @ Min.	"A" @ Mid	"A" @ Max.	"B"	Total Movement
-200	1" (25)	2" (51)	3"(76)	3 1/2"(89)	2" (51)
-400	1" (25)	4"(102)	6"(152)	6 1/2"(165)	5" (127)
-600	1" (25)	6"(152)	9"(229)	9 1/2"(241)	8" (203)
-800	1" (25)	8" (203)	12"(305)	12 1/2"(317)	11" (279)
-1000	1" (25)	10"(254)	15"(381)	15 1/2"(394)	14"(356)
-1200	1" (25)	12"(305)	18"(457)	18 1/2"(470)	17"(432)
-1800	1" (25)	18"(457)	27"(686)	27 1/2"(699)	26"(660)
-2400	1" (25)	24"(607)	36"(914)	36 1/2"(927)	35"(889)

Note: Minimum And Maximum Values Are After Movement Occurs. Mid Point Value Is The Recommended Size Of Opening At Installation.



Right to site.

Call: 800-547-2635 Fax: 800-317-8770  
USA or Canada  
Web: [www.nystrom.com](http://www.nystrom.com)  
E-mail: [info@nystrom.com](mailto:info@nystrom.com)

PROJECT:

CONTRACTOR:

ARCHITECT:

INITIALS:

QTY:

DATE:

PART NUMBER: