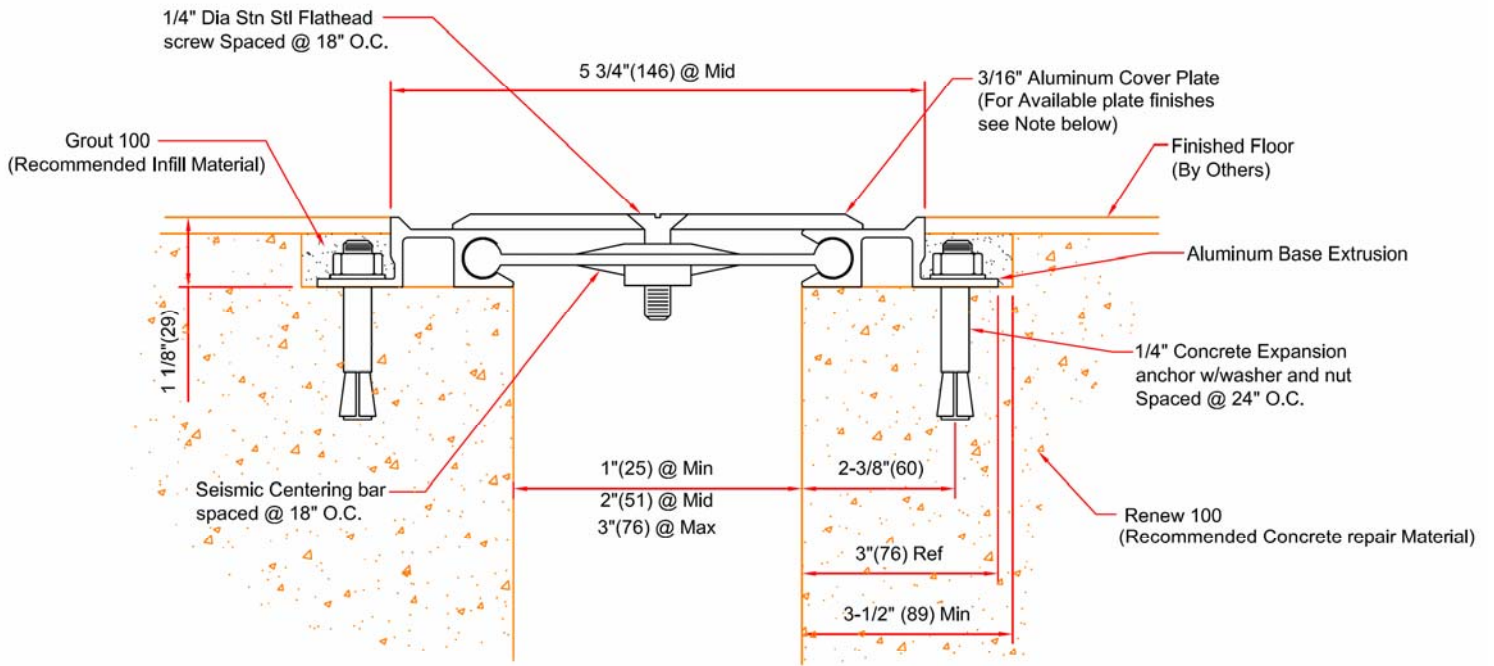



EJ-SFG-200

Expansion joint cover for floors

Floor to floor condition, 2 inch joint opening



EJ-SFG-200 DETAIL
FLOOR TO FLOOR CONDITION

Note:  Exposed Surface
 • For openings up to 6"
 - Plate supplied with grooved surface/mill finish

Note: Minimum And Maximum Values Are After Movement Occurs. Mid Point Value Is The Recommended Size Of Opening At Installation.



Right to site.

Call: 800-547-2635 Fax: 800-317-8770
 USA or Canada
 Web: www.nystrom.com
 E-mail: info@nystrom.com

PROJECT:

CONTRACTOR:

ARCHITECT:

INITIALS: QTY: DATE: PART NUMBER: