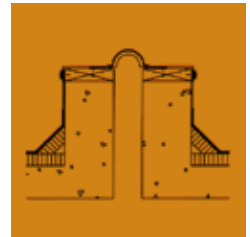
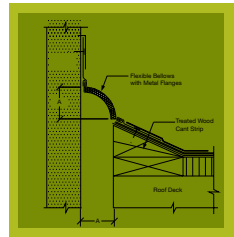
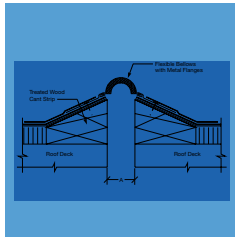
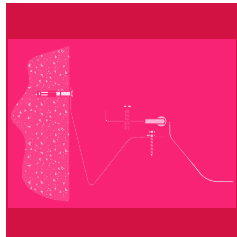
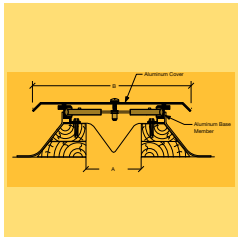


# Expansion Joints [ Roof ]



## Complementary Building Products



Right to site.

## Roof Cover

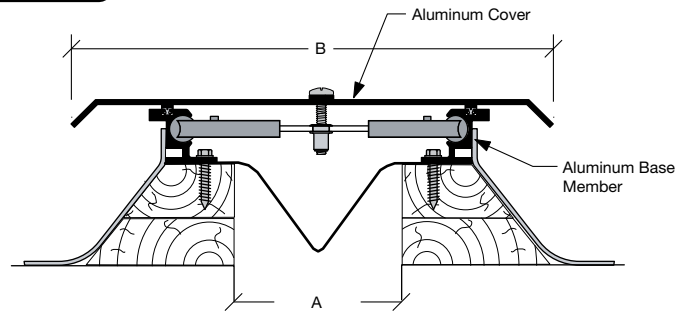
- Flat or sloped roofs
- Engineered for snow and ice loads
- Puncture proof



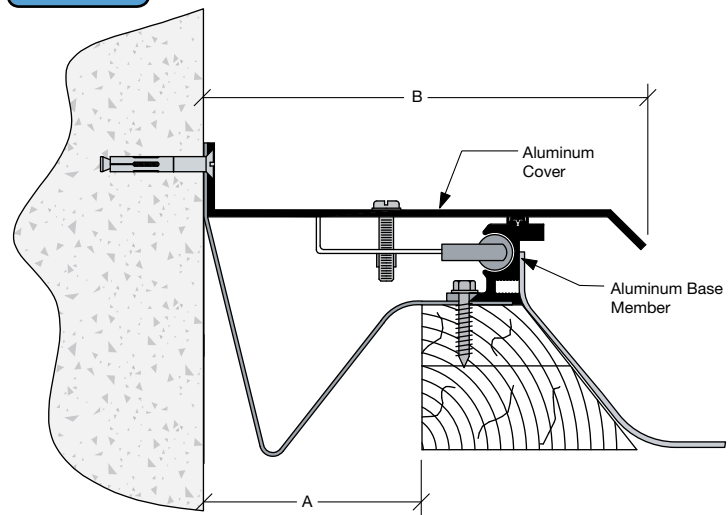
Roof to Roof	Joint Opening (A)		System Width (B)		Total Movement	
	in	mm	in	mm	in	mm
EJ-RJS-200	2.0	51	8.0	203	3.0	76
EJ-RJS-400	4.0	102	11.0	279	6.0	152
EJ-RJS-600	6.0	152	14.0	356	9.0	229
EJ-RJS-800	8.0	203	17.0	432	12.0	305
EJ-RJS-1000	10.0	254	20.0	508	15.0	381
EJ-RJS-1200	12.0	305	23.0	584	18.0	457
EJ-RJS-1800	18.0	457	32.0	813	27.0	686
EJ-RJS-2400	24.0	610	41.0	1041	36.0	914

Roof to Corner	Joint Opening (A)		System Width (B)		Total Movement	
	in	mm	in	mm	in	mm
EJ-RJS-200w	2.0	51	5.5	140	3.00	76
EJ-RJS-400w	4.0	102	8.5	216	6.00	152
EJ-RJS-600w	6.0	152	11.5	292	9.00	229
EJ-RJS-800w	8.0	203	14.5	368	12.00	305
EJ-RJS-1000w	10.0	254	17.5	445	9.75	248
EJ-RJS-1200w	12.0	305	20.5	521	11.75	298
EJ-RJS-1800w	18.0	457	29.5	749	17.75	451
EJ-RJS-2400w	24.0	610	38.5	978	23.75	603

EJ-RJS

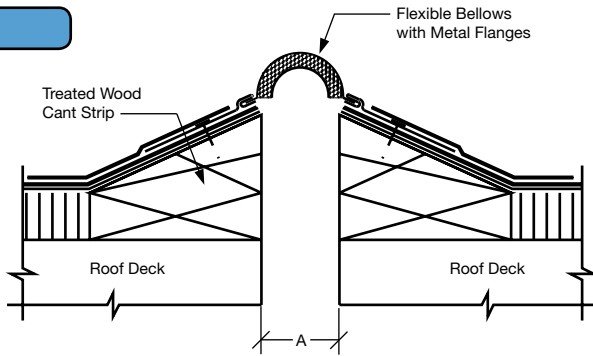


EJ-RJSw

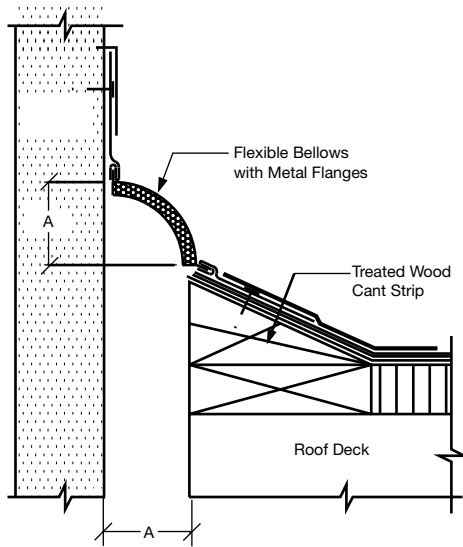


## Roof Bellows

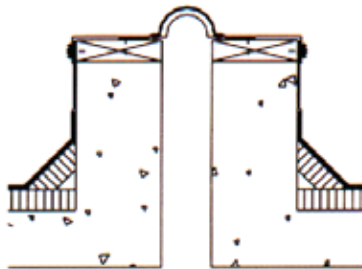
EJ-EEJ



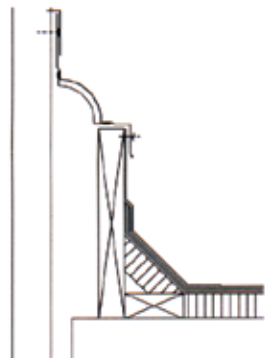
EJ-EEJw



EJ-ECF



EJ-ECFw



- Flat or sloped roofs
- Engineered for snow and ice loads
- Puncture proof



Roof to Roof	Opening (A) & Movement	
Model #	in	mm
EJ-EEJ-100	1.0	25
EJ-EEJ-200	2.0	51
EJ-EEJ-300	3.0	76
EJ-EEJ-400	4.0	102
EJ-EEJ-500	5.0	127
EJ-EEJ-600	6.0	152
EJ-EEJ-700	7.0	178

Roof to Roof	Opening (A) & Movement	
Model #	in	mm
EJ-EEJ-800	8.0	203
EJ-EEJ-1000	10.0	254
EJ-EEJ-1200	12.0	305
EJ-EEJ-1600	16.0	406
EJ-EEJ-1800	18.0	457
EJ-EEJ-2000	20.0	508

Roof to Wall	Opening (A) & Movement	
Model #	in	mm
EJ-EEJ-100w	1.0	25
EJ-EEJ-200w	2.0	51
EJ-EEJ-300w	3.0	76
EJ-EEJ-400w	4.0	102
EJ-EEJ-500w	5.0	127
EJ-EEJ-600w	6.0	152
EJ-EEJ-700w	7.0	178

Roof to Wall	Opening (A) & Movement	
Model #	in	mm
EJ-EEJ-800w	8.0	203
EJ-EEJ-1000w	10.0	254
EJ-EEJ-1200w	12.0	305
EJ-EEJ-1600w	16.0	406
EJ-EEJ-1800w	18.0	457
EJ-EEJ-2000w	20.0	508

Roof to Roof	Opening (A) & Movement	
Model #	in	mm
EJ-ECF-100	1.0	25
EJ-ECF-200	2.0	51
EJ-ECF-300	3.0	76
EJ-ECF-400	4.0	102
EJ-ECF-500	5.0	127
EJ-ECF-600	6.0	152
EJ-ECF-700	7.0	178

Roof to Roof	Opening (A) & Movement	
Model #	in	mm
EJ-ECF-800	8.0	203
EJ-ECF-1000	10.0	254
EJ-ECF-1200	12.0	305
EJ-ECF-1600	16.0	406
EJ-ECF-1800	18.0	457
EJ-ECF-2000	20.0	508

Roof to Wall	Opening (A) & Movement	
Model #	in	mm
EJ-ECF-100w	1.0	25
EJ-ECF-200w	2.0	51
EJ-ECF-300w	3.0	76
EJ-ECF-400w	4.0	102
EJ-ECF-500w	5.0	127
EJ-ECF-600w	6.0	152
EJ-ECF-700w	7.0	178

Roof to Wall	Opening (A) & Movement	
Model #	in	mm
EJ-ECF-800w	8.0	203
EJ-ECF-1000w	10.0	254
EJ-ECF-1200w	12.0	305
EJ-ECF-1600w	16.0	406
EJ-ECF-1800w	18.0	457
EJ-ECF-2000w	20.0	508

Nystrom reserves the right to withdraw products or make product changes to color or design without notice.

Access Doors



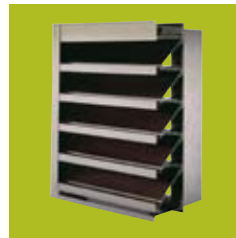
Roof Hatches



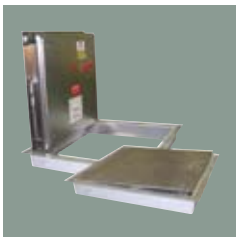
Smoke Vents



Louvers



Fire Cabinets



Floor Hatches



Expansion Joints



Entrance Systems



Stair Nosings



Wall Protection

9300 73rd Av N  
Brooklyn Park, MN  
55428

TF 800.547.2635  
FX 800.317.8770  
Nystrom.com



Right to site.