



WASHROOM ACCESSORIES



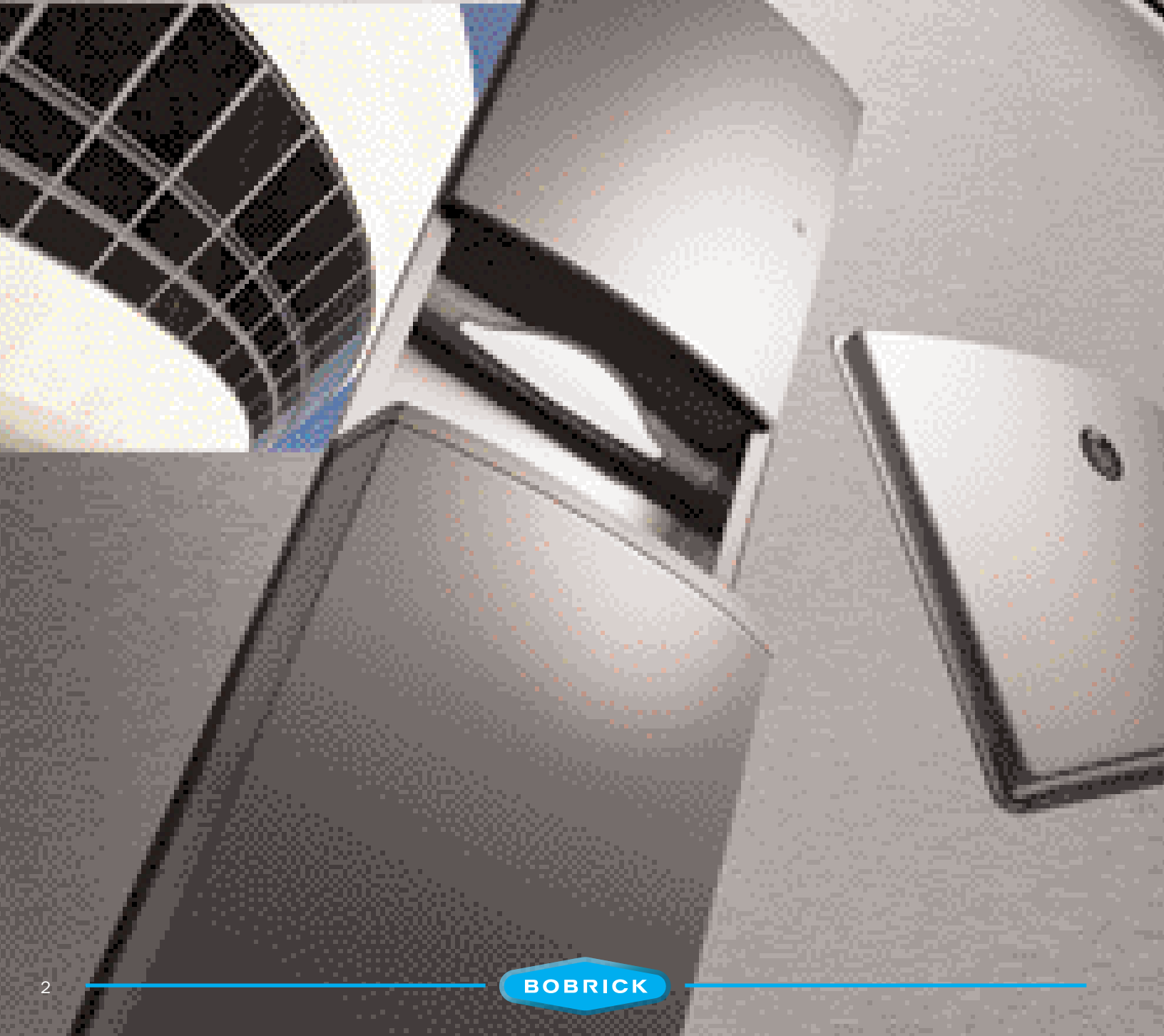
BUILDING VALUE SINCE 1906

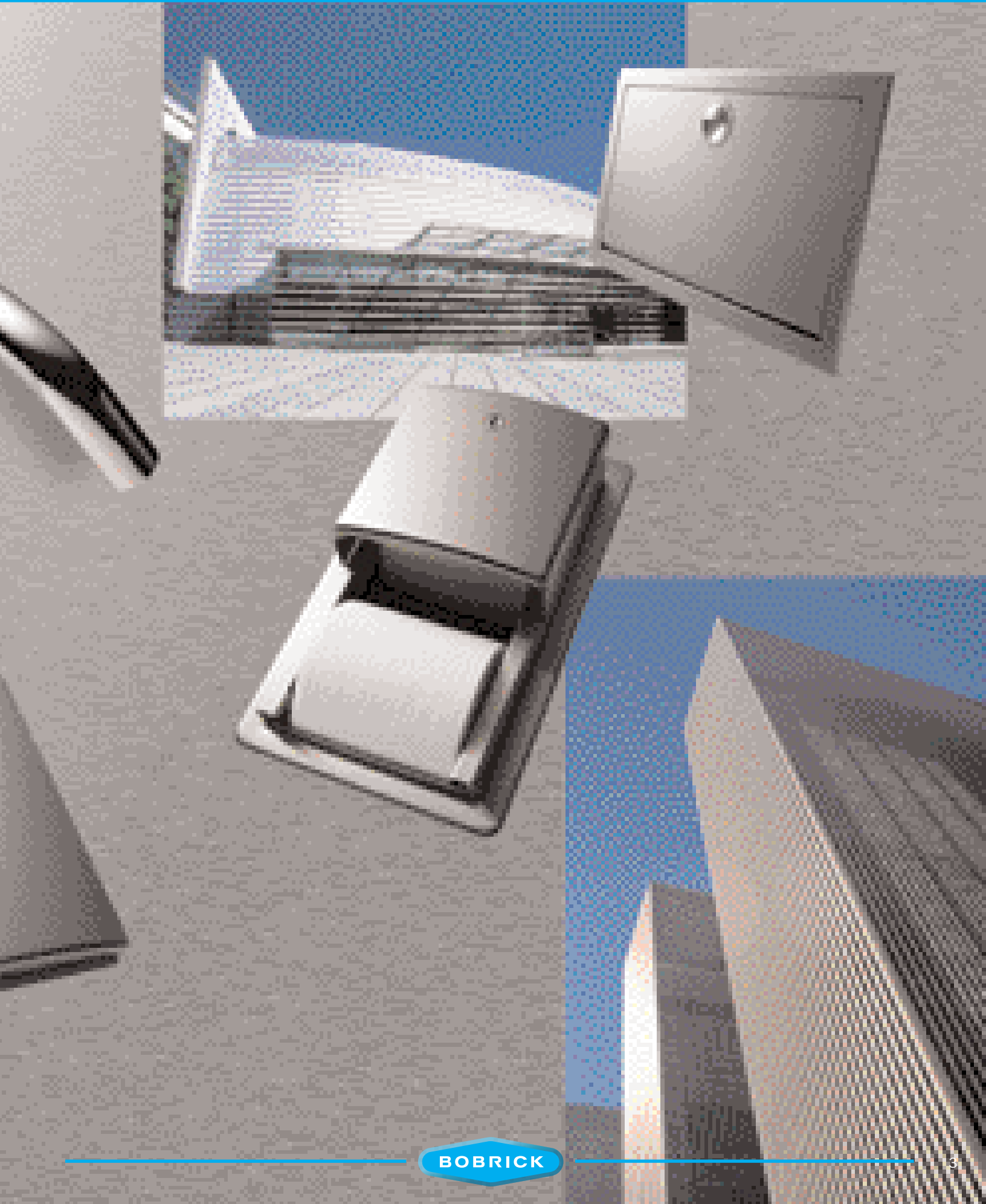
PRESTIGE BUILDINGS 

Corporate Headquarters
Class A Office Projects
Civic Center Icons
Major Universities

**Restroom Usage and
Accessory Requirements:**

Low to moderate traffic
Minimal use and abuse
Architectural design excellence
Quality materials and equipment





STANDARD USE BUILDINGS

Commercial Office Facilities
Healthcare Centers
Hospitality Projects
Manufacturing Plants

Restroom Usage and Accessory Requirements:

Moderate to heavy traffic
Some heavy use and abuse
Equipment durability important
Budget-sensitive specifications





HEAVY TRAFFIC BUILDINGS

K-12 Schools
Retail Malls
Amusement, Recreation
Transportation Centers

Restroom Usage and Accessory Requirements:

Periods of extreme traffic flows
Vandal-prone use and abuse
Equipment durability over design
Extra-large capacities



T Heavy Traffic Buildings



| | |
|--|----|
| NUMERICAL PRODUCT INDEX | 9 |
| WASHROOM ACCESSORIES: | |
| Combination Towel/Waste Units <i>bobrick.com/CombinationTowelWasteUnits</i> | 10 |
| Paper Towel Dispensers <i>bobrick.com/PaperTowelDispensers</i> | 14 |
| Waste Receptacles <i>bobrick.com/WasteReceptacles</i> | 17 |
| Sanitary Napkin/Tampon Vendors <i>bobrick.com/SanitaryNapkinTamponVendors</i> | 20 |
| SureFlo® Soap Dispensing System <i>bobrick.com/SureFloSoapDispensingSystem</i> | 21 |
| Lavatory-Mounted Soap Dispensers <i>bobrick.com/LavatoryMountedSoapDispensers</i> | 22 |
| Soap Dispensers <i>bobrick.com/SoapDispensers</i> | 23 |
| Mirrors <i>bobrick.com/Mirrors</i> | 26 |
| Warm-Air Hand Dryers <i>bobrick.com/WarmAirHandDryers</i> | 28 |
| TOILET COMPARTMENT ACCESSORIES: | |
| Toilet Tissue Dispensers <i>bobrick.com/ToiletTissueDispensers</i> | 30 |
| Toilet Compartment Accessories <i>bobrick.com/ToiletCompartmentAccessories</i> | 34 |
| Sanitary Napkin Disposals <i>bobrick.com/SanitaryNapkinDisposals</i> | 35 |
| Toilet Seat Cover Dispensers <i>bobrick.com/ToiletSeatCoverDispensers</i> | 37 |
| Grab Bars <i>bobrick.com/GrabBars</i> | 38 |
| SPECIALTY PRODUCTS: | |
| Bathroom Accessories <i>bobrick.com/BathroomAccessories</i> | 39 |
| Shower/Tub Accessories <i>bobrick.com/ShowerTubAccessories</i> | 42 |
| Hooks/Shelves/Custodial Accessories <i>bobrick.com/HooksShelvesCustodialAccessories</i> | 44 |
| Healthcare Accessories <i>bobrick.com/HealthcareAccessories</i> | 47 |
| Koala Kare Child Care Products <i>bobrick.com/KoalaKareChildCareProducts</i> | 48 |
| Product Selection Guide | 50 |
| Warranties/Patents | 51 |

BOBRICK WASHROOM EQUIPMENT, INC.

LOS ANGELES: 11611 Hart Street
North Hollywood, California 91605-5882
Washroom Accessories: (818) 982-9600, FAX: (818) 503-1102
e-mail: customerservicela@bobrick.com
Toilet Partitions: (818) 982-9070; FAX: (818) 503-9287
e-mail: lacspartitions@bobrick.com

JACKSON, TN: 100 Bobrick Drive
Jackson, TN 38301-5625
Washroom Accessories: (731) 424-7000, FAX: (731) 424-7800
e-mail: customerservicetn@bobrick.com
Toilet Partitions: (731) 424-7000, FAX: (731) 265-0578

NEW YORK: 200 Commerce Drive
Clifton Park, NY 12065-1350
(518) 877-7444; FAX: (518) 877-5029
e-mail: customerservicenyc@bobrick.com

CANADA: BOBRICK WASHROOM EQUIPMENT COMPANY
45 Rolark Drive, Scarborough, Ontario M1R 3B1
(416) 298-1611; FAX: (416) 298-6351
e-mail: customerserviceto@bobrick.com

INTERNATIONAL SALES: 11611 Hart Street
North Hollywood, California 91605-5882
(818) 764-1000; FAX: (818) 503-9941
e-mail: international@bobrick.com

AUSTRALIA: BOBRICK WASHROOM EQUIPMENT PTY. LTD.
+1 (818) 764-1000; FAX: +1 (818) 503-9941
e-mail: international@bobrick.com

GERMANY: BOBRICK WASHROOM EQUIPMENT
+1 (818) 764-1000; FAX: +1 (818) 503-9941
e-mail: info@bobrick.de

UNITED KINGDOM: BOBRICK WASHROOM EQUIPMENT LTD.
+44 (0)20 8366 1771; FAX: +44 (0)20 8363 5794
e-mail: uksales@bobrick.com

WWW.BOBRICK.COM

GAMCO SPECIALTY ACCESSORIES
A Division of Bobrick
One Gamco Place
Durant, OK 74701-1910
(800) 451-5766; FAX: (580) 920-2050
e-mail: mail@gamcousa.com
WWW.GAMCOUSA.COM

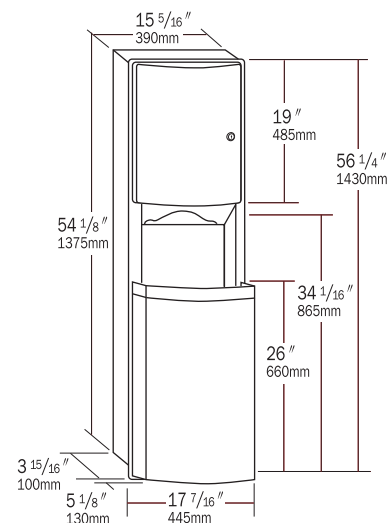
KOALA KARE PRODUCTS
A Division of Bobrick
6982 S. Quentin St.
Centennial, CO 80112-3945
(888) 733-3456; FAX: (303) 539-8399
e-mail: customerservice@koalabear.com
WWW.KOALABEAR.COM

Illustrations and descriptions herein are applicable to production as of the date of this catalog. The manufacturer reserves the right and does from time to time make changes and improvements in designs and dimensions. Catalog No. P-0706, 150M. April 2, 2007.

© 2007 Bobrick Washroom Equipment, Inc. Printed in U.S.A.

Numerical Product Index

| MODEL NO. | PAGE NO. | | | | | | | | | | |
|---------------|----------|---------------|----|----------|--------|---------------|----|---------------|----|-------------|-------|
| | | B-26212 | 15 | B-3500X2 | 20 | 4112-79 | 23 | B-6637 | 30 | B-740 | 28 |
| | | B-263 | 15 | B-352 25 | 20 | B-42 | 25 | B-667 | 30 | B-748 | 28 |
| B-132 | 25 | B-264 | 33 | B-353 | 35 | B-4221 | 37 | B-6677 | 30 | B-750 | 28 |
| B-155 | 24 | B-265 | 33 | 353-12 | 36 | B-4262 | 14 | B-669 | 30 | B-7507 | 28 |
| B-1556 Series | 27 | B-270 | 36 | B-35303 | 35 | B-4288 | 31 | B-6697 | 30 | 7600 Series | 39-45 |
| B-156 | 24 | 270-12 | 36 | B-354 | 35 | B-43500 | 20 | B-6699 | 32 | B-7636 | 43 |
| B-165 Series | 26 | B-272 | 33 | B-355 | 41 | B-43500X2 | 20 | B-66997 | 32 | B-7671 | 44 |
| B-1658 Series | 27 | B-273 | 32 | B-3552 | 41 | B-435009 | 20 | B-670 | 44 | B-76717 | 44 |
| B-166 Series | 26 | B-2730 | 32 | B-357 | 34 | B-4353 | 35 | B-6707 | 44 | B-7672 | 44 |
| B-2014 | 24 | B-274 | 32 | B-3571 | 34 | B-4354 | 35 | B-671 | 44 | B-76727 | 44 |
| 204-1 | 42 | B-2740 | 32 | B-3574 | 34 | B-4362 | 14 | B-6717 | 44 | B-7673 | 40 |
| 204-2 | 42 | B-2746 | 32 | B-3579 | 34 | B-43644 | 17 | B-672 | 44 | B-76737 | 40 |
| 204-3 | 42 | B-27460 | 32 | B-359 | 14 | B-4369 | 13 | B-6727 | 44 | B-7674 | 40 |
| B-205 | 41 | B-275 | 18 | B-35903 | 14 | 4369-22 | 10 | B-673 | 40 | B-76747 | 40 |
| B-207 | 42 | 275-14 | 17 | B-3644 | 17 | B-43699 | 13 | B-6737 | 40 | B-7676 | 40 |
| B-211 | 45 | B-277 | 17 | 367-60 | 11 | B-4380 | 43 | B-674 | 40 | B-76767 | 40 |
| B-2111 | 24 | B-279 | 18 | 368-16 | 10 | B-4388 | 30 | B-6747 | 40 | B-7679 | 39 |
| 2111-79 | 23 | 279-14 | 17 | 368-60 | 11 | B-4390 | 43 | B-676 | 40 | B-76797 | 39 |
| B-2112 | 24 | B-2800 | 20 | B-369 | 13 | B-43944 | 10 | B-677 | 44 | B-7680 | 39 |
| B-2116 | 45 | B-2800X2 | 20 | B-36903 | 13 | B-43949 | 10 | B-6777 | 44 | B-76807 | 39 |
| B-212 | 44 | B-282 25 | 20 | B-3699 | 13 | B-4998 | 38 | B-680 | 39 | B-7681 | 39 |
| B-221 | 37 | 283-604 | 32 | B-3803 | 12 | B-505 | 47 | B-6806 Series | 38 | B-7682 | 45 |
| B-223 | 46 | B-2840 | 33 | B-38032 | 12 | B-5050 | 25 | B-6807 | 39 | B-76827 | 45 |
| B-224 | 47 | B-2860 | 15 | B-38034 | 12 | B-517 | 43 | B-68137 | 38 | B-7685 | 33 |
| B-2250 | 18 | B-287 | 46 | B-380349 | 12 | B-518 | 43 | B-682 | 45 | B-76857 | 33 |
| 2250-3 | 17 | B-2888 | 31 | B-386 | 31 | B-5181 | 43 | B-6827 | 45 | B-7686 | 33 |
| B-2260 | 19 | B-2890 | 31 | B-38616 | 14 | B-5191 | 43 | B-683 | 40 | B-76867 | 33 |
| 2270-3 | 17 | B-2892 | 31 | B-3888 | 30 | B-5221 | 37 | B-685 | 33 | B-822 | 22 |
| B-2280 | 19 | B-290 Series | 26 | B-3900 | 12 | B-526 | 16 | B-6857 | 33 | B-8221 | 22 |
| B-2300 | 19 | B-2908 Series | 27 | B-39003 | 12 | B-5262 | 15 | B-686 | 33 | B-82216 | 22 |
| B-232 | 46 | B-292 Series | 26 | B-390034 | 12 | 5262-25 | 15 | B-6861 | 38 | B-8226 | 22 |
| B-233 | 45 | B-293 Series | 27 | B-3909 | 12 | B-5270 | 36 | B-68616 | 38 | B-826 | 22 |
| B-235 | 16, 47 | B-294 Series | 27 | B-3942 | 11 | B-5277 | 18 | B-6867 | 33 | B-830 | 21 |
| B-239 | 47 | B-295 | 46 | B-3944 | 11 | 5277-12 | 17 | B-687 | 40 | B-8397 | 41 |
| B-240 | 19 | B-296 | 46 | 3944-12 | 10, 17 | B-52860 | 16 | B-697 | 30 | B-942 | 27 |
| 251-4 | 38 | B-297 | 42 | 3944-52 | 11 | B-5288 | 32 | B-6977 | 30 | B-973 | 39 |
| 252-30 | 38 | B-298 | 46 | B-3947 | 11 | B-52891 | 32 | B-699 | 30 | B-981 | 46 |
| 2521-30 | 38 | B-299 | 42 | B-3949 | 11 | B-529 | 19 | B-6997 | 30 | B-983 | 45 |
| 2522-30 | 38 | B-301 | 37 | B-396034 | 13 | B-530 | 41 | B-6999 | 32 | B-985 | 46 |
| B-253 | 16 | B-3013 | 37 | B-3961 | 11 | B-550 | 41 | B-69997 | 32 | KB100-00 | 49 |
| B-254 | 36 | B-306 | 23 | 3961-50 | 11 | B-5806 Series | 38 | B-700 | 28 | KB101-00 | 49 |
| 2562 | 38 | B-3094 | 36 | B-39617 | 11 | B-5837 | 38 | B-7007 | 28 | KB102-00 | 49 |
| 2581 | 38 | B-318 | 15 | B-39619 | 11 | B-58616 | 38 | B-705 | 29 | KB110-SSRE | 48 |
| 2583 | 38 | B-347 | 34 | B-397 | 42 | B-60 | 25 | B-708 | 28 | KB110-SSWM | 49 |
| B-261 | 18 | B-3471 | 34 | B-398 | 42 | B-6047 | 42 | B-709 | 29 | KB150-99 | 49 |
| B-262 | 15 | B-3474 | 34 | B-40 | 25 | B-6107 | 42 | B-710 | 29 | | |
| B-2620 | 15 | B-3479 | 34 | B-4063 | 23 | B-633 | 47 | B-72860 | 16 | | |
| B-2621 | 15 | B-3500 | 20 | B-4112 | 24 | B-663 | 30 | B-731 | 28 | | |



B-43944 ConturaSeries™ RECESSED PAPER TOWEL DISPENSER/WASTE RECEPTACLE



Satin-finish stainless steel. Flush tumbler lock. Dispenses 600 C-fold or 800 multifold towels. Waste receptacle has 14.2-gal. (53.7-L) capacity; extends 5 1/8" (130mm) from wall. Removable front panel for easy cleaning. Clips secure furnished reusable vinyl liner. Rough Wall Opening: 16" W, 54 3/4" H, 4" min. depth (405 x 1390 x 100mm). Av. Mtg. Ht.: 67-74" (1700-1880mm) to top of unit; Barrier-Free, 61 1/4" (1555mm). Patented.

B-43949 Similar to B-43944, but with skirt for surface mounting.

COMBINATION TOWEL/WASTE UNIT BARRIER-FREE WASHROOM GUIDELINES:

Access to paper towels should be 15" to 48" (380-1220mm) above the finish floor to allow forward and side reach by people in wheelchairs. Hinged panels covering waste receptacle openings should not require more than 5 pounds of force (22.2 N) to open. It is recommended that units projecting more than 4" (100mm) from the wall be located in corners, alcoves, or between other protruding structural elements so as not to be a hazard to blind people or interfere with required access aisles and 60" (1525mm) minimum diameter turning spaces for persons using wheelchairs.

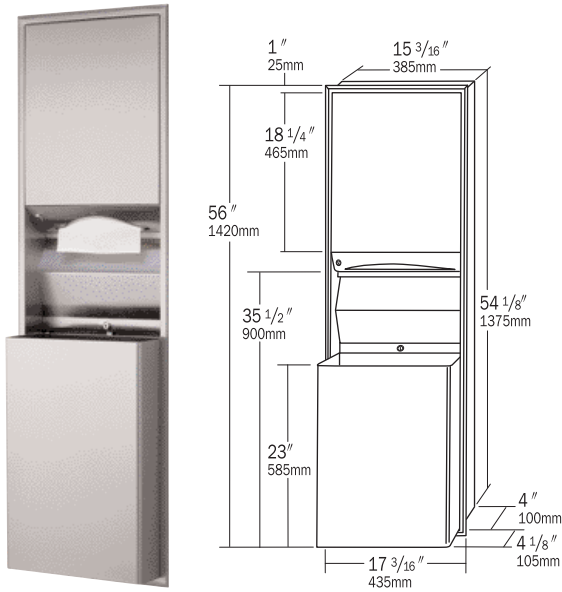
REUSABLE HEAVY-GAUGE VINYL LINERS:

| ORDER PART NO. | FOR MODEL NO. |
|----------------|---|
| 3944-12 | B-3900, B-3909 B-3961, B-39619, B-3944, B-3942, B-3949, 367-60, B-43944, B-43949 |
| 368-16 | B-39617, B-3947, 368-60 |
| 4369-22 | B-4369, B-43699 |

PRICE INDEX:

| | |
|------------------------|------------|
| ConturaSeries™ | 2.0 |
| TrimLineSeries™ | 1.7 |
| ClassicSeries™ | 1.0 |
| MatrixSeries™ | 0.6 |

Note: Washroom accessory price indices compare typical layouts of popularly specified products. Selected accessory mix may affect Price Index comparisons.



B-3944 ClassicSeries™ RECESSED CONVERTIBLE PAPER TOWEL DISPENSER/WASTE RECEPTACLE



Unit includes convertible folded paper towel module and 12-gallon waste receptacle module which can be interchanged with a universal touch-free roll towel module and 18-gallon waste receptacle module, respectively. Cabinet is not replaced when changing modules. Satin-finish stainless steel. Seamless beveled flange. Dispenses 600 C-fold or 800 multifold towels. Removable waste receptacle is locked into cabinet. Receptacle is 8" (205mm) deep with capacity of 12-gal. (45.4L); extends 4 1/8" (105mm) from wall. Rough Wall Opening: 16" W, 54 3/4" H, 4" min. depth (405 x 1390 x 100mm). Av. Mtg. Ht.: 67-74" (1700-1880mm) to top of unit; Barrier-Free, 60 1/2" (1535mm).

B-3942 Similar to B-3944, but with skirt for semi-recessing in 2" (50mm) walls.

B-3949 Similar to B-3944, but with skirt for surface mounting.

B-3947 Similar to B-3944, but with 18-gallon (68.0-L) waste receptacle.



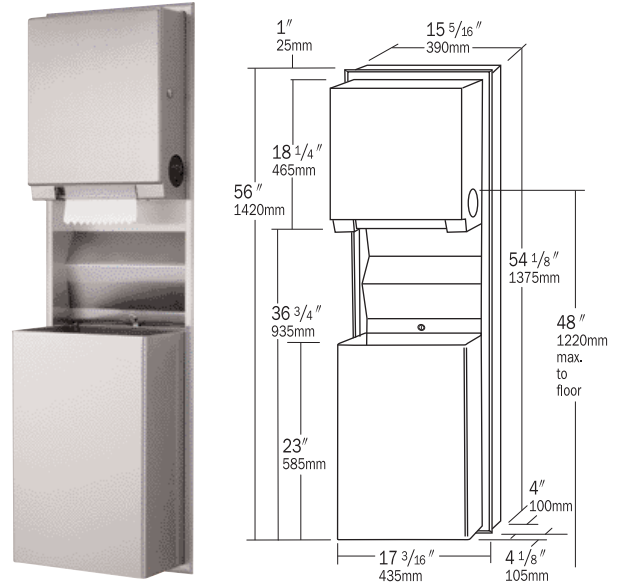
3961-50 Convertible touch-free universal roll towel dispenser module is interchangeable with folded towel dispenser module.



368-60 Interchangeable 18-gallon waste receptacle module.



367-60 Interchangeable 12-gallon waste receptacle module.



B-3961 ClassicSeries™ RECESSED CONVERTIBLE PAPER TOWEL DISPENSER/WASTE RECEPTACLE



Unit includes convertible universal, touch-free roll towel module and 12-gallon waste receptacle module which can be interchanged with a folded towel module and 18-gallon waste receptacle module, respectively. Cabinet is not replaced when changing modules. Satin-finish stainless steel. Seamless beveled flange. Accepts paper rolls 8" (205mm) wide 800 ft (244mm) long. Delivers preset length of towel: 2 1/2", 4", or 5" (65, 100 or 125mm) per stroke. Removable waste receptacle is locked into cabinet. Receptacle is 8" (205mm) deep with capacity of 12-gal. (45.4L); extends 4 1/8" (105mm) from wall. Rough Wall Opening: 16" W, 54 3/4" H, 4" min. depth (405 x 1390 x 100mm). Av. Mtg. Ht.: 67-74" (1700-1880mm) to top of unit; Barrier-Free, 60 1/2" (1535mm).

B-39619 Similar to B-3961, but with skirt for surface mounting.

B-39617 Similar to B-3961, but with 18-gallon (68.0-L) waste receptacle.



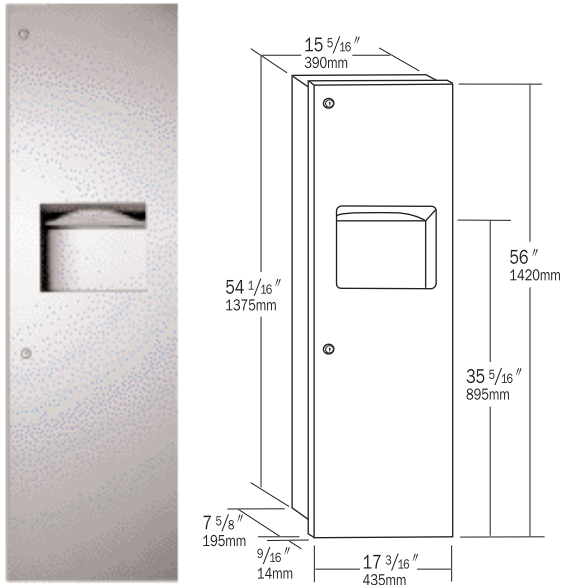
3944-52 Convertible folded towel dispenser module is interchangeable with touch-free universal roll towel dispenser module.



368-60 Interchangeable 18-gallon waste receptacle module.



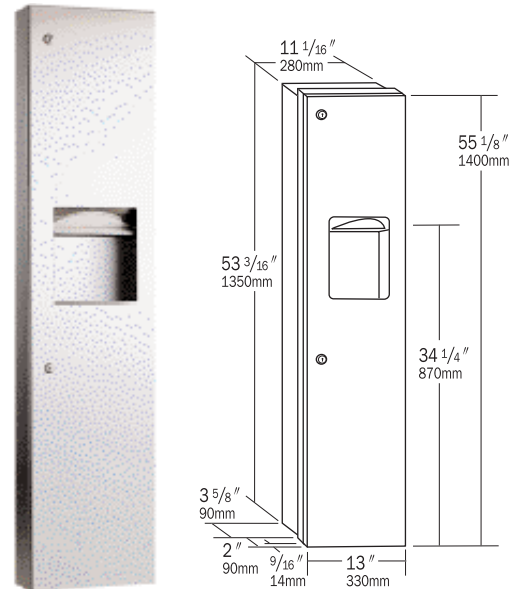
367-60 Interchangeable 12-gallon waste receptacle module.



B-39003 TrimLineSeries™ RECESSED PAPER TOWEL DISPENSER/WASTE RECEPTACLE

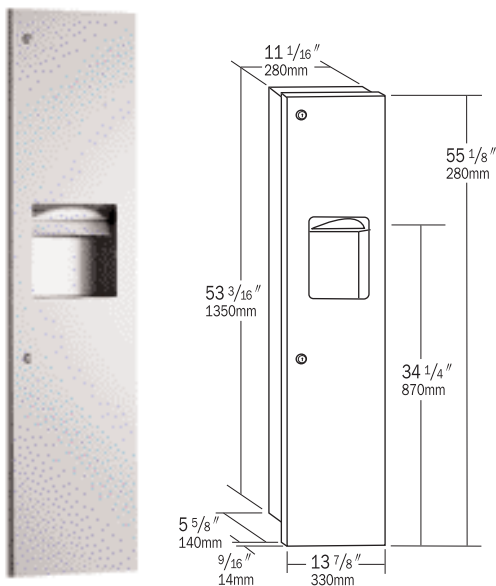
Satin-finish stainless steel. Door has 90° return, conceals flange. Dispenses 600 C-fold, 800 multifold or 1100 singlefold towels. Removable leak-proof, 12-gal. (45.4-L) waste container. Rough Wall Opening: 16" W, 54 3/4" H, 7 7/8" min. depth (405 x 1390 x 200mm). Av. Mtg. Ht.: 67-74" (1700-1880mm) to top of unit; Barrier-Free, 60 1/2" (1535mm).

B-390034 Similar to B-39003, but with stainless steel skirt for semi-recessing in 4" (100mm) walls.



B-38032 TrimLineSeries™ SEMI-RECESSED PAPER TOWEL DISPENSER/WASTE RECEPTACLE

Satin-finish stainless steel. Door has 90° return, conceals flange. Skirt for 4" (100mm) walls. Dispenses 600 C-fold, 800 multifold or 1100 singlefold towels. Uncovered, removable, leak-proof, 6.3-gal. (24-L) waste container. Rough Wall Opening: 11 1/2" W, 53 5/8" H, 3 3/4" min. depth (290 x 1360 x 95mm). Av. Mtg. Ht.: 67-74" (1700-1880mm) to top of unit; Barrier-Free, 60 3/4" (1545mm).

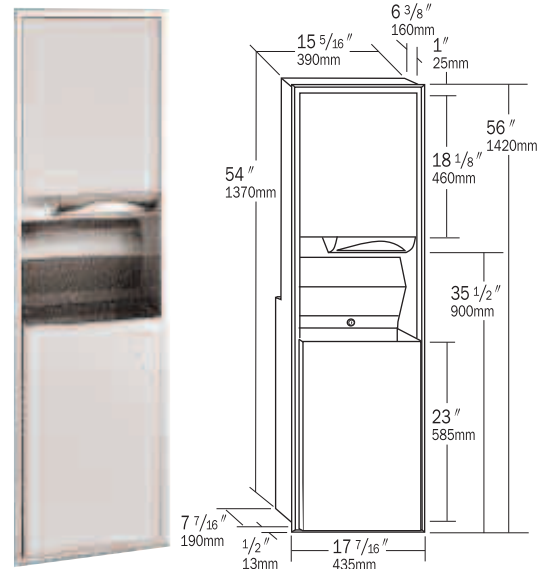


B-3803 TrimLineSeries™ RECESSED PAPER TOWEL DISPENSER/WASTE RECEPTACLE

Satin-finish stainless steel. Door has 90° return, conceals flange. Dispenses 600 C-fold, 800 multifold or 1100 single-fold towels. Removable, leak-proof, 6.3-gal. (24-L) waste container. Rough Wall Opening: 11 1/2" W, 53 5/8" H, 5 3/4" min. depth (290 x 1360 x 145mm). Av. Mtg. Ht.: 67-74" (1700-1880mm) to top of unit; Barrier-Free, 60 3/4" (1545mm).

B-38034 Similar to B-3803, but requires 3 3/4" (95mm) min. depth. Waste capacity: 3.8-gal. (14.4-L). Dispenses C-fold and multifold towels.

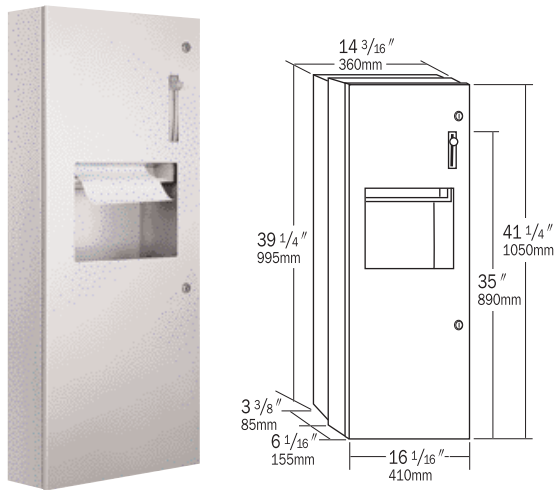
B-380349 Similar to B-38034, but with skirt for surface mounting.




B-3900 ClassicSeries™ RECESSED PAPER TOWEL DISPENSER/WASTE RECEPTACLE

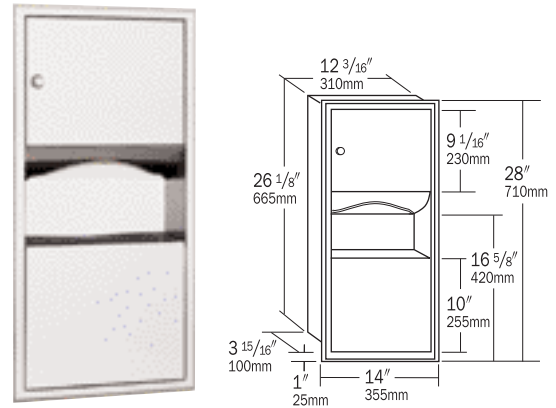
Satin-finish stainless steel. Seamless beveled flange. Dispenses 600 C-fold, 800 multifold or 1100 singlefold towels. Removable waste receptacle is locked into cabinet. Receptacle is 8" (205mm) deep with capacity of 12-gal. (45.4-L); extends 1/2" (13mm) from wall. Rough Wall Opening: 16" W, 54 3/4" H, 7 5/8" min. depth (405 x 1390 x 195mm). Av. Mtg. Ht.: 67-74" (1700-1880mm) to top of unit; Barrier-Free, 60 1/2" (1535mm).



B-3909 Similar to B-3900, but with stainless steel skirt for semi-recessing in 2" (50mm) walls.



B-396034 TrimLineSeries™ SEMI-RECESSED ROLL TOWEL DISPENSER/WASTE RECEPTACLE 

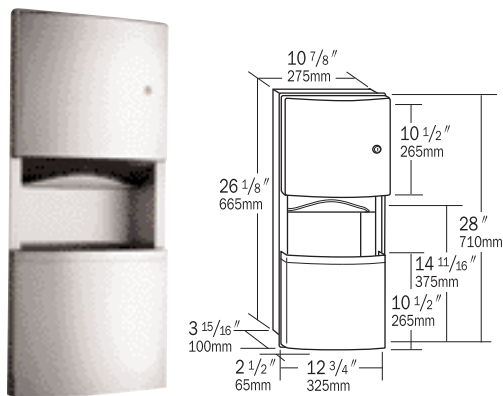
Satin-finish stainless steel. Door has 90° return, conceals flange. Dispenses paper rolls 8" (205mm) wide, 800 ft (244 m) long in preset lengths, 2 1/2", 4" or 5" (65, 100 or 125mm) per stroke. Removable, leak-proof, 8.6-gal. (32.6-L) waste container. Extends 6 1/4" (155mm) from wall. Rough Wall Opening: 14 1/2" W, 39 5/8" H, 3 1/2" min. depth (370 x 1005 x 90mm). Av. Mtg. Ht.: 67-74" (1700- 1880mm) to top of unit; Barrier-Free, 45 1/2" (1155mm).



B-369 ClassicSeries™ RECESSED PAPER TOWEL DISPENSER/WASTE RECEPTACLE  

Satin-finish stainless steel. Seamless beveled flange. Dispenses 350 C-fold or 475 multifold towels. Knob-latch retains door. Removable waste container has 2-gal. (7.6-L) capacity. Rough Wall Opening: 12 5/8" W, 26 5/8" H, 4" min. depth (320 x 675 x 100mm). Av. Mtg. Ht.: 71" (1805mm) to top of unit; Barrier-Free, 51 1/2" (1310mm).

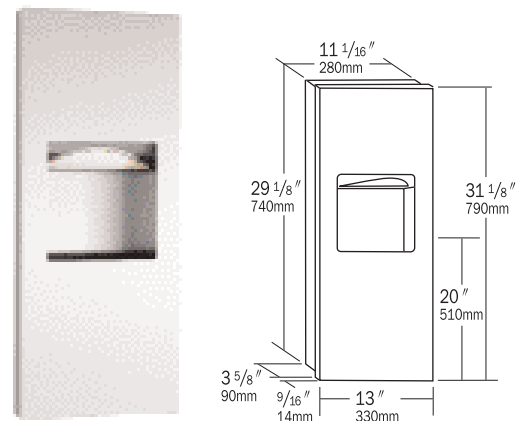
B-3699 Similar to B-369, but with stainless steel skirt for surface mounting.



B-4369 ConturaSeries™ RECESSED PAPER TOWEL DISPENSER/WASTE RECEPTACLE  

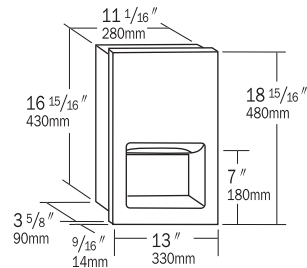
Satin-finish stainless steel. Flush tumbler lock. Dispenses 350 C-fold or 475 multifold towels. Waste receptacle has 2.6-gal. (9.8-L) capacity; extends 2 1/2" (65mm) from wall. Removable front panel for easy cleaning. Clips secure furnished reusable vinyl liner. Rough Wall Opening: 11 3/8" W, 26 5/8" H, 4" min. depth (290 x 675 x 100mm). Av. Mtg. Ht.: 71" (1805mm) to top of unit; Barrier-Free, 52 3/4" (1340mm). Patented.

B-43699 Similar to B-4369, but with stainless steel skirt for surface mounting. Patented.



B-36903 TrimLineSeries™ RECESSED PAPER TOWEL DISPENSER/WASTE RECEPTACLE 

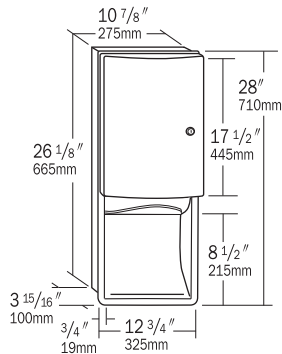
Satin-finish stainless steel. Door has 90° return, conceals flange. Dispenses 300 C-fold or 400 multifold towels. Removable, leak-proof, 1.6-gal. (6.1-L) waste container. Rough Wall Opening: 11 1/2" W, 29 1/2" H, 3 3/4" min. depth (290 x 750 x 95mm). Av. Mtg. Ht.: 69" (1753mm) to top of unit; Barrier-Free, 51" (1295mm).



B-35903 TrimLineSeries™ RECESSED PAPER TOWEL DISPENSER



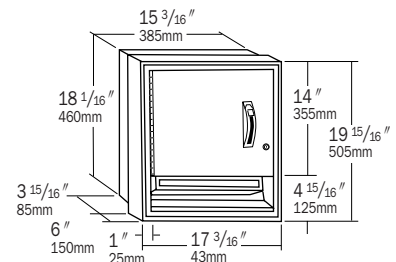
Satin-finish stainless steel. Door has 90° return, conceals flange. Dispenses 300 C-fold or 400 multifold towels. Rough Wall Opening: 11 1/2" W, 17 1/4" H, 3 3/4" min. depth (290 x 440 x 95mm). Av. Mtg. Ht.: 67" (1700mm) to top of unit; Barrier-Free, 52" (1320mm).



B-4362 ConturaSeries™ RECESSED PAPER TOWEL DISPENSER



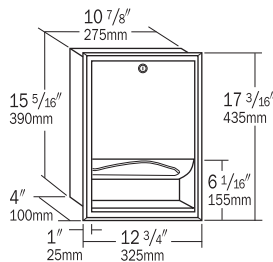
Satin-finish stainless steel. Flush tumbler lock. Dispenses 600 C-fold or 800 multifold towels. Rough Wall Opening: 11 3/8" W, 26 1/2" H, 4" min. depth (290 x 675 x 100mm). Av. Mtg. Ht.: 78" (1980mm) to top of unit; Barrier-Free, 59 1/2" (1510mm). Patented.



B-38616 ClassicSeries™ SEMI-RECESSED ROLL TOWEL DISPENSER



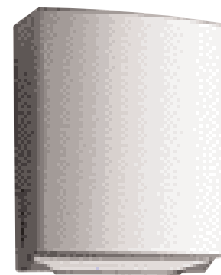
Satin-finish stainless steel. Seamless beveled flange. Delivers preset length of paper towel: 2 1/2", 4" or 5" (65, 100 or 125mm) per stroke. Accepts rolls 8" (205mm) wide, 800 ft (244 m) long. Extends 9 1/2" (240mm) from wall. Rough Wall Opening: 15 3/4" W, 18 5/8" H, 3 1/2" min. depth (400 x 475 x 90mm). Av. Mtg. Ht.: 70-78" (1780-1980mm) to top of unit; Barrier-Free, 46 1/2" (1180mm).



B-359 ClassicSeries™ RECESSED PAPER TOWEL DISPENSER



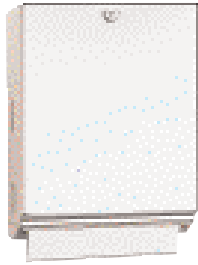
Satin-finish stainless steel. Seamless beveled flange. Dispenses 350 C-fold or 475 multifold towels. Door equipped with full-length stainless steel piano-hinge at bottom; swings down for easy filling. Rough Wall Opening: 11 1/4" W, 15 5/8" H, 4" min. depth (285 x 395 x 100mm). Av. Mtg. Ht.: 67" (1700mm) to top of unit; Barrier-Free, 52 1/2" (1335mm).



B-4262 ConturaSeries™ SURFACE-MOUNTED PAPER TOWEL DISPENSER



Satin-finish stainless steel. Tumbler lock on top of cabinet. Door swings down for loading towels. Dispenses 400 C-fold or 525 multifold towels measuring 3 1/8" to 3 13/16" (79-97mm) deep without adjustment or adapter. Furnished with internal towel tray adapter kit for dispensing narrower towels 2 1/2" to 3 1/8" (64-79mm) deep. Cabinet slots indicate refill time. Unit 10 13/16" W, 13 1/4" H, 4 11/16" D (275 x 335 x 120mm). Patented.

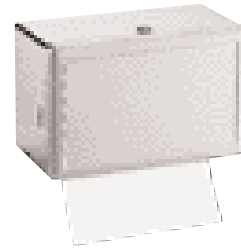


#B-262 ClassicSeries™ SURFACE MOUNTED PAPER TOWEL DISPENSER



Satin-finish stainless steel. Dispenses 400 C-fold or 525 multifold towels measuring 3 1/8" to 3 13/16" (79-97mm) deep without adjustment or adapters. Door has tumbler lock and piano-hinge. Cabinet slots indicate refill time. Unit 10 3/4" W, 14" H, 4" D (275 x 355 x 100mm). Av. Mtg. Ht.: 66-70" (1675-1780mm) to top of unit; Barrier-Free, 54" (1370mm).

#B-2620 Similar to B-262, but with knob-latch.



#B-263 SURFACE-MOUNTED PAPER TOWEL DISPENSER

Satin-finish stainless steel. Tumbler lock on top of cabinet. Dispenses 400 singlefold towels. Cabinet slots indicate refill time. Unit 12 1/8" W, 7 1/4" H, 6 7/8" D (310 x 185 x 155mm).

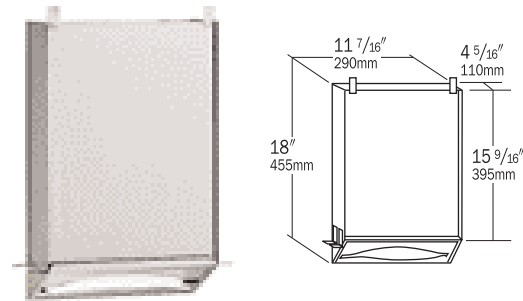


#B-2621 SURFACE-MOUNTED PAPER TOWEL DISPENSER



Satin-finish stainless steel. Dispenses 200 C-fold or 275 multifold towels measuring 3 1/8" to 3 13/16" (79-97mm) deep without adjustment or adapters. Door has knob-latch. Cabinet slots indicate refill time. Unit 10 3/4" W, 7 1/8" H, 4" D (275 x 180 x 100mm). Av. Mtg. Ht.: 58-62" (1475-1575mm) to top of unit; Barrier-Free, 47" (1195mm).

B-26212 Similar to B-2621, but with tumbler lock.



B-318 RECESSED PAPER TOWEL DISPENSER



Satin-finish stainless steel. Dispenses 600 C-fold or 800 multifold towels. Towels load into bottom of cabinet concealed behind wall or mirror; only the towel tray is visible. Rough Wall Opening: 12" W, 18 1/4" H (305 x 465mm) to accept cabinet height, plus 6" (150mm) min. clearance space below towel tray; 4 1/2" (115mm) min. depth. Av. Mtg. Ht.: 68-73" (1725-1855mm) to top of unit; Barrier-Free, 56 3/4" (1440mm).



#B-2860 SURFACE-MOUNTED ROLL TOWEL DISPENSER



Satin-finish stainless steel. Touch-free pull-towel mechanism dispenses 12" (305mm) length of economical, non-perforated, universal roll paper towels. Accommodates 8" (205mm) wide, up to 8" (205mm) diameter rolls, plus 3 1/2" (90mm) stub roll with automatic transfer. Pull force to operate 1.8 lbs (8.0 N). Door has tumbler lock and piano-hinge. Cabinet slots indicate refill time. Unit 11 3/4" W, 15" H, 9" D (300 x 380 x 230mm). Av. Mtg. Ht.: 67-74" (1700-1880mm) to top of unit; Barrier-Free 60-66" (1525-1675mm). Patented.



#B-5262 MatrixSeries™ SURFACE-MOUNTED PAPER TOWEL DISPENSER

Durable ABS plastic; grey color. Dispenses 400 C-fold or 525 multifold towels measuring 3 1/8" to 3 13/16" (79-97mm) deep without adjustment or adapter. Cabinet slots indicate refill time. Door has concealed locking device. Unit 11 1/2" W, 15 1/4" H, 4 3/4" D (290 x 385 x 120mm). Patented.

5262-25 INTERNAL TOWEL TRAY ADAPTER KIT

Optional for Models B-262, B-2620, B-2621, B-26212, B-4262, and B-5262 to dispense narrower paper towels 2 1/2" to 3 1/8" (64-79mm) deep.



B-72860 SURFACE-MOUNTED ROLL PAPER TOWEL DISPENSER

Durable plastic construction; translucent cover. Touch-free pull towel mechanism dispenses 12" (305mm) length of economical, non-perforated, universal roll paper towels. Accommodates 8" (205mm) wide, up to 8" (205mm) diameter rolls, plus 3 1/2" (90mm) stub roll with automatic transfer. Pull force to operate 1.8 lbs (8.0 N). Locking cabinet furnished with removable and permanent keys. Unit 12 1/2" W, 15 1/2" H, 9 1/2" D (320 x 395 x 240mm). Patented.



B-235 SURFACE-MOUNTED PAPER CUP DISPENSER



Satin-finish stainless steel. Dispenses 150 3-oz (0.1-L) cups. Adjusts to dispense up to 6-oz (0.2-L) cups. Tumbler lock on top and stainless steel piano-hinge on bottom. Cabinet swings down for easy filling. Slot on front indicates refill time. Unit 3 1/4" W, 14 1/2" H, 3 1/4" D (85 x 370 x 85mm). Universal/Barrier-Free Mtg. Ht.: 52 1/2-58 1/2" (1335-1485mm) to top.



B-52860 MatrixSeries™ SURFACE-MOUNTED ROLL PAPER TOWEL DISPENSER

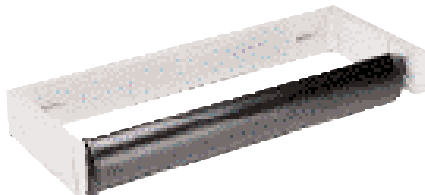
Durable ABS plastic; grey color. Delivers preset length of paper towel: 2" or 4" (50 or 100mm) per stroke. 4" (100mm) stub roll. Accepts standard core rolls 7 1/4" to 8" (185 to 205mm) wide, up to 8" diameter (205mm). Unit 11 5/8" W, 15 1/16" H (295 x 385mm), wall to lever 10 1/8" (255mm).



B-526 TrimLineSeries™ COUNTERTOP MOUNTED PAPER TOWEL DISPENSER



Satin-finish stainless steel. Flange has 90° return. Towels load into top of dispenser. Dispenses 300 C-fold or multifold towels. Unit 12 3/4" W, 6" front to back depth (325 x 150mm); 17" (430mm) min. clearance below mounting surface is required. Rough Countertop Cutout: 12 1/4" W (310mm), 4 1/2" front to back depth (115mm), 3/4" to 1 1/2" (19 to 38mm) mounting thickness. Housing below countertop to conceal dispenser is not included. Barrier-free countertop must not exceed 34" (865mm) height, and have a clearance of at least 29" (735mm) from the bottom of the apron to the finish floor.



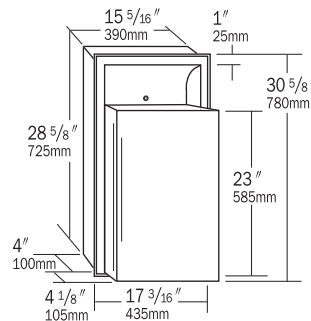
B-253 SURFACE-MOUNTED ROLL TOWEL DISPENSER

Heavy-duty aluminum casting, satin finish. Molded plastic spindle has concealed locking device; removed with special key furnished. Controlled delivery. Holds paper towel rolls up to 6" (150mm) diameter. Unit 12 1/2" wide and projects 4 7/8" from wall (320 x 125mm).

PRICE INDEX:

| | |
|------------------------|------------|
| ConturaSeries™ | 2.0 |
| TrimLineSeries™ | 1.7 |
| ClassicSeries™ | 1.0 |
| MatrixSeries™ | 0.6 |

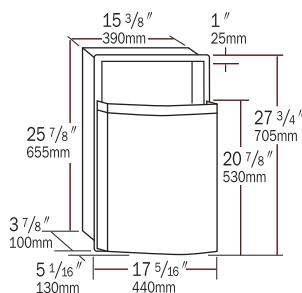
Note: Price indices are a comparison of washroom accessories for a typical layout of popularly specified products. Selected accessory mix may affect Price Index comparisons.



♣B-3644 ClassicSeries™ RECESSED WASTE RECEPTACLE



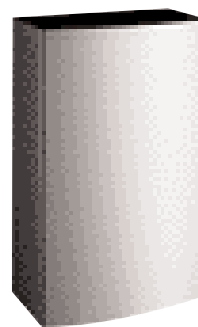
Satin-finish stainless steel. Seamless beveled flange. Removable, 12-gal. (45.4-L) receptacle locks into cabinet. Hooks hold optional vinyl liner. Rough wall opening: 16" W, 29 1/4" H, 4" min. depth (405 x 745 x 100mm). Universal/Barrier-Free Mtg. Ht.: 42-46" (1065-1170mm) to top of unit.



B-43644 ConturaSeries™ RECESSED WASTE RECEPTACLE



Satin-finish stainless steel. Removable front panel for easy cleaning. Clips secure furnished reusable vinyl liner. Capacity: 11.2-gal. (42.2-L). Rough Wall Opening: 15 7/8" W, 26 1/4" H, 4" min. depth (405 x 665 x 100mm). Universal/Barrier-Free Mtg. Ht.: 43-47" (1090-1195mm) to top of unit. Patented.



♣B-277 ConturaSeries™ SURFACE-MOUNTED WASTE RECEPTACLE



Satin-finish stainless steel. Capacity: 12.75-gal. (48.3-L). Top edges are hemmed and bottom of waste receptacle has recessed finger grip for safe handling. Clips secure furnished reusable vinyl liner. Unit 15 1/8" W, 23" H, 8 1/2" D (385 x 585 x 215mm). Patented.

WASTE RECEPTACLE BARRIER-FREE WASHROOM GUIDELINES:

Access to receptacle openings should be 15" to 48" (380-1220mm) above the finish floor to allow forward and side reach by people in wheelchairs. Hinged panels covering waste receptacle openings should not require more than 5 pounds of force (22.2 N) to open. It is recommended that units projecting more than 4" (100mm) from the wall be located in corners, alcoves, or between other protruding structural elements so as not to be a hazard to blind people or interfere with required access aisles and 60" (1525mm) minimum diameter turning spaces for wheelchairs.

REUSABLE HEAVY-GAUGE VINYL LINERS:

| ORDER PART NO. | FOR MODEL NO. |
|----------------|----------------|
| 2250-3 | B-2250, B-2260 |
| 2270-3 | B-2280 |
| 275-14 | B-275 |
| 279-14 | B-279 |
| ♣3944-12 | B-277 |
| 5277-12 | B-527 |



B-279 ClassicSeries™ SURFACE MOUNTED WASTE RECEPTACLE

Satin-finish stainless steel. Bottom edges hemmed for safety. Hooks hold furnished reusable vinyl liner; removable for servicing. Capacity: 6.4-gal. (24.2-L). Unit 14" W, 18" H, 6" D (355 x 455 x 150mm).



B-275 SURFACE-MOUNTED WASTE RECEPTACLE

Satin-finish stainless steel. Bottom edges hemmed for maximum safety. Hooks hold furnished reusable vinyl liner; removable for servicing. Capacity: 20-gal. (75.7-L). Unit 16 1/2" W, 23" H, 12 1/2" D (420 x 585 x 320mm).



B-2250 FLOOR-STANDING WASTE RECEPTACLE WITH TOP

Satin-finish stainless steel. Top with self-closing doors. Vinyl wall bumper, rubber feet. Hooks for liners. Capacity: 13-gal. (49.2-L). Unit 12 1/2" x 12 1/2" (320 x 320mm) at top, 29 1/2" (750mm) high.



B-261 SURFACE-MOUNTED FACIAL TISSUE WASTE RECEPTACLE

Satin-finish stainless steel. Bottom edges hemmed for maximum safety. Capacity: 1 1/2-gal. (5.7-L). 10 1/2" (265mm) W at top, 8 5/8" (220mm) W at bottom. Unit 9" H, 4 3/8" D (230 x 110mm).



B-5277 MatrixSeries™ SURFACE-MOUNTED WASTE RECEPTACLE

Impact-resistant polymer; grey color. Capacity: 13-gal. (49.2-L). Clips secure optional vinyl liner. Unit 17" W, 23" H, 9 1/2" D (430 x 585 x 240mm). Patented.

WASTE RECEPTACLE BARRIER-FREE WASHROOM GUIDELINES:

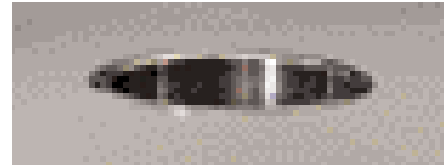
Access to receptacle openings should be 15" to 48" (380–1220mm) above the finish floor to allow forward and side reach by people in wheelchairs. Hinged panels covering waste receptacle openings should not require more than 5 pounds of force (22.2 N) to open. It is recommended that units projecting more than 4" (100mm) from the wall be located in corners, alcoves, or between other protruding structural elements so as not to be a hazard to blind people or interfere with required access aisles and 60" (1525mm) minimum diameter turning spaces for wheelchairs.



B-2280 FLOOR-STANDING OPEN-TOP WASTE RECEPTACLE

Satin-finish stainless steel. Open top. Vinyl wall bumper, rubber feet. Hooks for liners. Capacity: 21-gal. (79.5-L). Unit 14" x 14" (355 x 355mm) at top, 30" (760mm) high.

B-2260 Similar to B-2280, but with 13-gal. (49.2-L) capacity. Unit 12 1/2" x 12 1/2" (320 x 320mm) at top, 22" (560mm) high.



B-529 COUNTERTOP-MOUNTED CIRCULAR WASTE CHUTE



Rolled flange and exposed surfaces bright-polished stainless steel. Outside diameter 6 15/16" (175mm), inside diameter 5 1/2" (140mm), chute depth 5" (130mm). Rough Countertop Cutout: 5 5/8" diameter (140mm). Provides waste deposit access to receptacle (not furnished) placed under countertop. Universal/Barrier-Free: countertop must not exceed 34" (865mm) height and have a clearance of at least 29" (735mm) from the bottom of the apron to the finish floor.



B-2300 FLOOR-STANDING DOME-TOP WASTE RECEPTACLE

Satin-finish stainless steel with black steel dome-top. 6" (150mm) dia. opening for hygienic, no-touch disposal of waste. Removable, galvanized steel waste container. Capacity: 15-gal. (56.8-L). Unit 15" dia., 34" H (380 x 865mm).



B-240 WALL-MOUNTED STAINLESS STEEL ASHTRAY



Satin-finish stainless steel. For installation in washrooms above countertops, in toilet compartments, and alongside urinals. Can also be mounted in hallway and lobby areas where space is limited. Ashtray flips over for emptying without removal from frame. Unit 5" W, 1 1/2" H, 3 7/8" D (125 x 40 x 100mm). Universal/Barrier-Free Mtg. Ht.: 38-48" (965-1220mm) to top of unit.

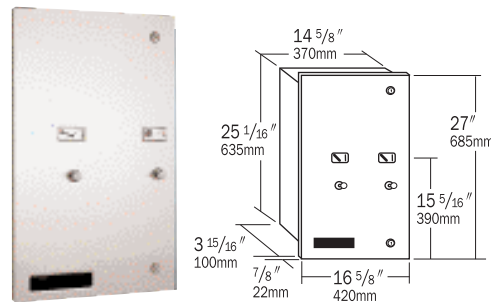
ASHTRAY BARRIER-FREE DESIGN GUIDELINES:

It is recommended that all floor-standing and surface-mounted units projecting more than 4" (100mm) from the wall be located in corners, alcoves, or between other protruding structural elements so as not to be a hazard to blind people or interfere with required access aisles and 60" (1525mm) min. diameter turning space for wheelchairs. Surface-mounted units should not be located above grab bars. Ashtrays and waste receptacle openings should be located 15" to 48" (380-1220mm) above the finish floor to allow forward reach by people in wheelchairs.

PRICE INDEX:

| | |
|------------------------|------------|
| ConturaSeries™ | 2.0 |
| TrimLineSeries™ | 1.7 |
| ClassicSeries™ | 1.0 |
| MatrixSeries™ | 0.6 |

Note: Price indices are a comparison of washroom accessories for a typical layout of popularly specified products. Selected accessory mix may affect Price Index comparisons.

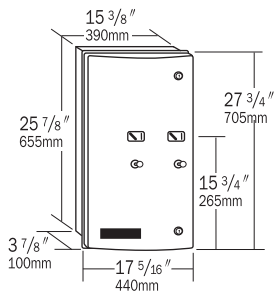


⚡B-3500 TrimLineSeries™ RECESSED SANITARY NAPKIN/TAMPON VENDOR



Satin-finish stainless steel. Door has 90° return, conceals flange. Dispenses 31 napkins and 22 tampons. Single-coin mechanisms convertible for ⚡25¢-operation, or specify Free-operation (no-coin) mechanisms. Two tumbler locks. Separate lock and key for coin box. Rough Wall Opening: 15 1/8" W, 25 1/2" H, 4" min. depth (385 x 650 x 100mm). Av. Mtg. Ht.: 71-75" (1805-1905mm) to top of unit; Barrier-Free, 51" (1295mm). Patented.

B-3500X2 Similar to B-3500, but with double-coin mechanisms convertible for 50¢-operation. Patented.



B-43500 ConturaSeries™ RECESSED SANITARY NAPKIN/TAMPON VENDOR



Satin-finish stainless steel. Dispenses 31 napkins and 22 tampons. Single-coin mechanisms convertible for 25¢-operation, or specify Free-operation (no coin) mechanisms. Two flush tumbler locks. Separate lock and key for coin box. Rough Wall Opening: 15 3/4" W, 26 1/4" H, 4" min. depth (400 x 665 x 100mm). Av. Mtg. Ht.: 69-73" (1755-1855mm) to top of unit; Barrier-Free, 52" (1320mm). Patented.

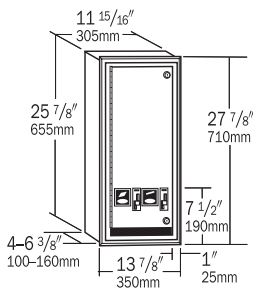
B-435009 Similar to B-43500, but with stainless steel skirt for surface mounting, 25¢-operation. Patented. **B-43500X2** Similar to B-43500, but with double coin mechanism convertible for 50¢-operation. Patented.



⚡B-2800 TrimLineSeries™ SURFACE-MOUNTED SANITARY NAPKIN/TAMPON VENDOR

Satin-finish stainless steel. Similar to B-3500, but with cabinet for surface-mounted installation. Single-coin mechanisms convertible for ⚡25¢-operation, or specify Free-operation (no-coin) mechanisms. Unit 14 7/8" W, 25 3/8" H, 4 3/4" D (380 x 645 x 120mm). Patented.

B-2800X2 Similar to B-2800, but with double-coin mechanisms convertible for 50¢-operation. Patented.



B-352 25 ClassicSeries™ RECESSED SANITARY NAPKIN/TAMPON VENDOR.



Satin-finish stainless steel. Seamless beveled flange. Dispenses 30 napkins and 27 tampons. Single-coin mechanisms for 25¢-operation. Adjustable flange allows semi- or fully-recessed installation. Plastic twist handles. Rough Wall Opening: 12 1/2" W, 26 3/8" H, 4-6 1/2" min. depth (320 x 670 x 100-165mm). Av. Mtg. Ht.: 75-79" (1905-2005mm) to top of unit; Barrier-Free, 61 1/2" (1560mm).

B-282 25 Similar to B-352 25, but with cabinet for surface-mounted installation. Unit 11 7/8" W, 25 7/8" H, 6 1/2" D (300 x 655 x 165mm).

DESIGNER'S NOTES:

How to specify sanitary napkin/tampon vendors:

1. Select model number of vendor required.
2. Add coin denomination required (25¢ for models with single-coin mechanisms, 50¢ for models with double-coin mechanisms, and Free for no-coin mechanisms). See product descriptions for coin denominations available.

Example: To order recessed sanitary napkin/tampon vendors with double-coin mechanisms and 50¢-operation, specify B-3500X2 50.

B-2800, B-3500, and B-43500 Series sanitary napkin/tampon vendors are convertible in the field to any Bobrick standard coinage (single, double or complimentary) with the purchase of a Coin Plate Replacement Kit. Contact your Bobrick Representative for full details.

Coin-mechanism pull knobs meet Barrier-Free standards: operable with one hand and less than 5 pounds of force (22.2 N), with no twisting motion.

All vendor doors are 18-gauge (1.2mm), secured with concealed full-length stainless steel hinge and replaceable in the field.



BOBRICK SureFlo® SOAP SYSTEM



SureFlo® SOAP SYSTEM CABINET

Accommodates one 12-liter (13,000 handwashes) SureFlo Soap Cartridge. Cabinet is equipped with a concealed 2-liter (2,000 hand washes) soap reservoir. Cabinet is constructed of type 304 stainless steel. Door has satin finish and tumbler lock, keyed like other Bobrick washroom accessories. Cabinet is equipped with Low Soap Indicator (LSI) Light. Cabinet is mounted under lavatory countertop on left or right side walls, or rear wall. Includes tubing and connectors. Cabinet furnished with one 12-liter cartridge of Bobrick SureFlo Soap. Cabinet 10" W, 15 1/4" H in front, 16 1/2" H in rear, 18 5/8" D (255 x 385-420 x 475mm). Patented.

B-830.12 Soap System Cabinet with one 12-liter cartridge of Pink Lotion SureFlo Soap.

B-830.13 Soap System Cabinet with one 12-liter cartridge of Premium Gold SureFlo Soap.

830-141 SureFlo® CONNECTOR KIT FOR EXISTING OR NEW B-822 SERIES SOAP DISPENSER INSTALLATIONS

One kit required for each existing or new B-822 Series Soap Dispenser. Includes vandal-resistant, 360° free turning, Swivel Assembly, Shank Extension, tubing and connectors for converting existing B-822 Series Installations (or installing new B-822 Series Soap Dispensers) into a B-830 SureFlo Soap Dispensing System.

SOAP PUMP (B-822 SERIES), MOUNTING SHANK KITS FOR NEW SOAP DISPENSER INSTALLATIONS

One kit required for each new lavatory-mounted soap dispenser. Also requires one 830-141 Connector Kit for each soap dispenser.

| PART NO. | SOAP PUMP DESCRIPTION |
|-----------------|---|
| 830-159 | 4" (100mm) Spout Length, Bright Polished Stainless Steel (B-822) |
| 830-172 | 6" (150mm) Spout Length, Bright Polished Stainless Steel (B-8226) |

Note: Maximum Countertop Mounting Thickness 4 1/4" (110mm)

HOW TO SPECIFY/ORDER:

EXISTING B-822 SERIES DISPENSERS INSTALLED

B-830.12, or **B-830.13** Soap System Cabinet.

830-141 Connector Kit. One kit required for each B-822 Series Soap Dispenser.

NEW INSTALLATIONS

B-830.12, or **B-830.13** Soap System Cabinet.

830-159 or **830-172** Soap Pump, Mounting Shank Kit. One kit required for each B-822 Series Soap Dispenser.

830-141 Connector Kit. One kit required for each soap dispenser.

SureFlo® SOAP SYSTEM SOAP CARTRIDGES

Formulated especially for Bobrick B-822 Series Lavatory-Mounted Soap Dispensers.

B-81312 Premium Gold Soap, 12 liter (13,000 handwashes)

B-81212 Pink Lotion Soap, 12 liter (13,000 handwashes)

SureFlo Soap Dispensing Systems can be converted back to individual B-822 Series Soap Dispensers, see page 22. Order one 830-145 Re-conversion Kit for each soap dispenser.

WARRANTY

Only Bobrick SureFlo Soaps should be used in B-822 Series Lavatory-Mounted Soap Dispensers used in a SureFlo Soap System. Use of any other soap will void the warranty provided for the B-822 Series Soap Dispensers used in the SureFlo Soap System. See page 51 for warranties and limitations on Bobrick's SureFlo Soap System.



B-826 AUTOMATIC SOAP DISPENSER



Automatic touch-free sensor eliminates cross contamination. Meets Barrier-Free accessibility standards. Sensor detects user's hand to automatically dispense controlled amount (0.8ml) of soap; activation range is 4" (100mm) from sensor lens. Reduces soap usage, waste. Bright Polished chrome spout cover.

Dispenses 1000 handwashes per 800ml, 2000 handwashes per 1600ml OneShot® soap refills. Soap refills available from sanitary supply distributors. Red LED light blinks when soap refill is low. Yellow LED light blinks when battery life is low (average battery life 100 soap refills or 2 years). Water-resistant battery compartment and motor housing.

Mounts through 1" (25mm) diameter hole in lavatory or countertop. Maximum countertop mounting thickness 2" (50mm). Spacer for use with lavatory rim 3/4" (19mm) or greater is included. Battery requirements: 4 Alkaline D Cells (not included).

B-826.18 Starter Kit Includes B-826 Automatic Lavatory-Mounted Soap Dispenser, an 800ml lotion soap refill, and 4 Alkaline D Cell batteries.

826-20 AC ADAPTER (6V) for one B-826 Automatic Lavatory-Mounted Soap Dispenser.

Available on special order: All-metal soap dispenser for vandal-prone installations. AC Adapter (6V) for up to four B-826 Automatic Lavatory Mounted Soap Dispensers.

OneShot is a registered trademark of Technical Concepts LLC.

B-822 SERIES SOAP DISPENSERS



For ease of maintenance and labor savings • Vandal-resistant locking cover and free-turning spout • Corrosion-resistant • Bright polished spout, cover and escutcheon • High-impact-resistant ABS body and shank • Shatter-resistant polyethylene container • Patented design



B-822



B-8221

LIQUID & LOTION SOAPS, AND SYNTHETIC DETERGENT DISPENSERS:

| MODEL NUMBER | CAPACITY | SPOUT LENGTH | MAX. MTG. THICKNESS |
|----------------|------------------|--------------|---------------------|
| B-822 | 34-fl oz (1.0-L) | 4" (100mm) | 4" (100mm) |
| B-8221 | 20-fl oz (0.6-L) | 4" (100mm) | 1" (25mm) |
| B-8226 | 34-fl oz (1.0-L) | 6" (150mm) | 4" (100mm) |
| B-82216 | 20-fl oz (0.6-L) | 6" (150mm) | 1" (25mm) |

IMPORTANT NOTE:

All Bobrick B-822 Series Soap Dispensers are designed to dispense commercially marketed all-purpose hand soaps including liquid and lotion soaps, synthetic detergents, and antibacterial soaps containing PCMX and/or Triclosan. Bobrick soap dispensers are not designed to dispense alcohol-based hand sanitizers or iodine-based surgical soaps.

B-822 DESIGNER'S NOTES:

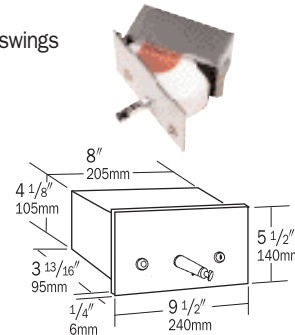
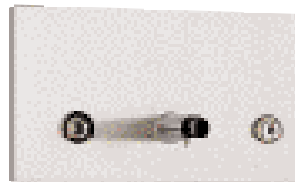
1. Mount through 1" (25mm) diameter hole in lavatory or countertop.
2. Diameter of escutcheon: 2 1/16" (50mm).
3. Maximum height from base of body to bottom of container: 14 5/8" (370mm) for B-822, B-8226; 8 1/4" (210mm) for B-8221, B-82216. Allow clearance below basin for 3 1/2" (90mm) diameter container.
4. Mount with end of spout extending over inner edge of bowl.

B-826 DESIGNER'S NOTES:

1. Maximum height from base of dispenser to bottom of refill 14 7/8" (380mm) for 800ml refill; 16 5/8" (420mm) for 1600ml refill.
2. Allow 5" (125mm) diameter clearance below lavatory or countertop for motor housing and 800ml refill. For 1600ml refill allow 5 1/2" (140mm) diameter clearance.
3. Battery compartment equipped with 36" (915mm) cord, mounts on wall under lavatory or countertop.



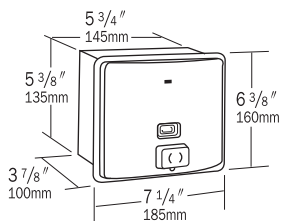
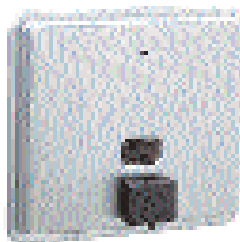
Soap vessel swings out for filling.



B-306 TrimLineSeries™ RECESSED SOAP DISPENSER



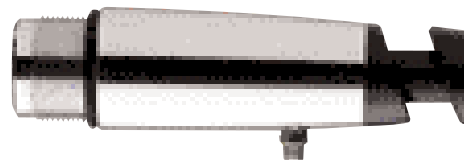
Satin-finish stainless steel. Door: 90° return, conceals flange. Vessel on back of door swings open for filling. Hinge and tumbler lock secure door to cabinet. Capacity: 45-fl oz (1.3-L). Valve dispenses all-purpose hand soaps. Soap refill window. Rough Wall Opening: 8 3/8" W, 4 3/8" H, 3 7/8" min. depth (215 x 110 x 100mm). Universal/Barrier-Free Mtg. Ht.: 47 3/4" (1215mm) to top of unit with pushbutton 44" (1120mm) above floor.



B-4063 ConturaSeries™ RECESSED SOAP DISPENSER



Dispenses all-purpose soaps. Drawn, 20-gauge (1.0mm), one-piece front, satin-finish stainless steel with vessel attached to back. Capacity: 50-fl oz (1.5-L). Pulls out for filling. Concealed locking device. Wall to pushbutton, 1 5/8" (40mm). Rough Wall Opening: 5 7/8" W, 5 1/2" H, 4" min. depth (150 x 140 x 100mm). Universal/Barrier-Free Mtg. Ht.: 49" (1245mm) to top of unit with pushbutton 44" (1120mm) above floor. Patented.



2111-79 SureFlo® RETROFIT VALVE

For Models B-11, B-12, B-111, B-112, B-201, B-2014, B-2111, B-202, B-2024, B-306, B-3067; B-310, B-320 and B-330 Series Combination Units. Valve operates with less than 5 pounds of force (22.2 N). Patented.

DESIGNER'S NOTES:

All surface-mounted soap dispensers require 4" (100mm) minimum clearance above unit for filling; B-2014 SoaperShelf® requires 5 1/4" (135mm), see page 24.

All Bobrick soap valves meet Barrier-Free standards: operable with one hand, without tight grasping, pinching, or twisting of the wrist, and with less than 5 pounds of force (22.2 N) when soap container is completely filled.

PRICE INDEX:

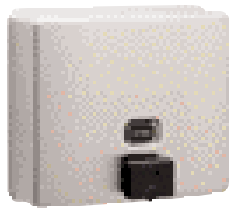
| | |
|------------------------|------------|
| ConturaSeries™ | 2.0 |
| TrimLineSeries™ | 1.7 |
| ClassicSeries™ | 1.0 |
| MatrixSeries™ | 0.6 |

Note: Price indices are a comparison of washroom accessories for a typical layout of popularly specified products. Selected accessory mix may affect Price Index comparisons.



4112-79 RETROFIT ALL-PURPOSE VALVE

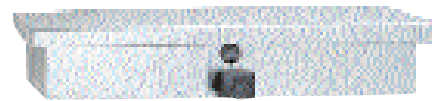
Available for Models B-4063, B-4112, B-2111, B-2112 and B-2014. Field-replaceable corrosion-resistant valve dispenses most commercially marketed all-purpose hand soaps. Valve operates with less than 5 pounds of force (22.2 N). Patented.



⚡B-4112 ConturaSeries™ SURFACE MOUNTED SOAP DISPENSER



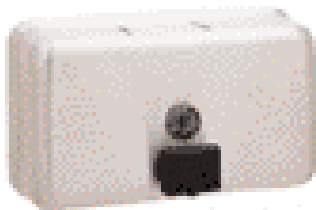
Corrosion-resistant valve dispenses commercially marketed all-purpose hand soaps. Container is satin-finish stainless steel. Capacity: 40-fl oz (1.2-L). Soap refill window. Concealed wall fastening. Hinged filler-top requires special key to open. Vandal-resistant. Unit 7" W, 6 1/8" H (180 x 155mm); wall to pushbutton, 3 5/16" (85mm). Universal/Barrier-Free Mtg. Ht.: 49" (1245mm) to top of unit with pushbutton 44" (1120mm) above floor. Patented.



B-2014 SoaperShelf® SURFACE-MOUNTED COMBINATION UNIT



Soap vessel and shelf are satin-finish stainless steel. Capacity: 80-fl oz (2.4-L). Corrosion-resistant valve dispenses commercially marketed all-purpose hand soaps. Soap refill window. Unit 17 5/16" W, 3 5/16" H, 5" D (440 x 85 x 125mm); wall to pushbutton, 5 1/4" (135mm). Universal/Barrier Free Mtg. Ht.: 46 1/2" (1180mm) to top of unit with pushbutton 44" (1120mm) above floor. Patented.



⚡B-2112 ClassicSeries™ SURFACE MOUNTED SOAP DISPENSER



Horizontal tank is satin-finish stainless steel. Valve dispenses all-purpose hand soaps. Capacity: 40-fl oz (1.2-L). Soap refill window. Concealed wall fastening. Hinged filler-top requires special key to open. Vandal-resistant. Unit 8 1/8" W, 4 3/4" H (205 x 120mm); wall to pushbutton, 3 1/2" (90mm). Universal/Barrier-Free Mtg. Ht.: 47 1/2" (1205mm) to top of unit with pushbutton 44" (1120mm) above floor. Patented.



⚡B-155 ClassicSeries™ LiquidMate® WALL-MOUNTED SOAP DISPENSERS



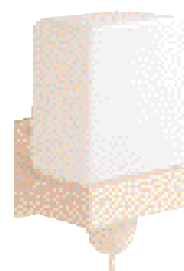
Corrosion-resistant valve dispenses thin, free-flowing commercially marketed all-purpose hand soaps. Translucent polyethylene container provides visible soap level. 24-fl oz (0.7-L) capacity. Unit 4" W, 7 5/8" H (100 x 195mm). Universal/Barrier-Free Mtg. Ht.: 50 1/2" (1285mm) to top of unit with pushbutton 44" (1120mm) above floor. Bright polished, chrome-plated ABS mounting bracket.



⚡B-2111 ClassicSeries™ SURFACE MOUNTED SOAP DISPENSER



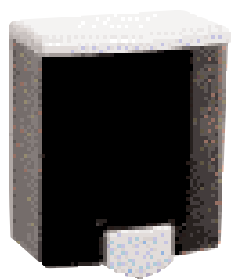
Vertical tank is satin-finish stainless steel. Valve dispenses all-purpose hand soaps. Capacity: 40-fl oz (1.2-L). Soap refill window. Concealed wall fastening. Hinged filler-top requires special key to open. Vandal-resistant. Unit 4 3/4" W, 8 1/8" H (120 x 205mm); wall to pushbutton, 3 1/2" (90mm). Universal/Barrier-Free Mtg. Ht.: 50 7/8" (1290mm) to top of unit with pushbutton 44" (1120mm) above floor. Patented.



⚡B-156 ClassicSeries™ LiquidMate® WALL-MOUNTED SOAP DISPENSERS



Corrosion-resistant valve dispenses thin, free-flowing commercially marketed all-purpose hand soaps. Translucent polyethylene container provides visible soap level. 24-fl oz (0.7-L) capacity. Unit 4" W, 7 5/8" H (100 x 195mm). Universal/Barrier-Free Mtg. Ht.: 50 1/2" (1285mm) to top of unit with pushbutton 44" (1120mm) above floor. Beige ABS mounting bracket.



#B-40 ClassicSeries™ SURFACE-MOUNTED SOAP DISPENSER



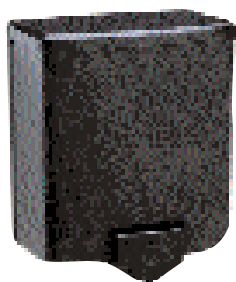
Two-tone black and grey. Valve dispenses all-purpose soaps. Vandal-resistant lid has keyless locking device, pivots up for easy top filling. Translucent container provides visible soap level. Capacity: 40-fl oz (1.2-L). Concealed wall/mirror mounting, removable for cleaning. Unit 5 13/16" W, 6 7/8" H (150 x 175mm); wall to pushbutton, 3 3/16" (80mm). Universal/Barrier-Free Mtg. Ht.: 50" (1270mm) to top of unit with pushbutton 44" (1120mm) above floor. Patented.



B-60 SURFACE-MOUNTED SOAP DISPENSER



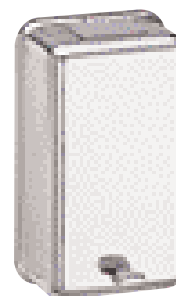
Ideal for high-volume applications, such as health and sports club showers. Corrosion-resistant valve dispenses commercially marketed all-purpose hand soaps. Translucent high-impact plastic container provides visible soap level and has oversized opening for quick top filling. Extra-large capacity: 1.5-gal. (5.7-L). Unit 7 3/4" W, 13" H (195 x 330mm); wall to pushbutton, 5 3/4" (145mm). Universal/Barrier-Free Mtg. Ht.: 54 3/4" (1390mm) to top of unit with pushbutton 44" (1120mm) above floor.



#B-42 ClassicSeries™ SURFACE-MOUNTED SOAP DISPENSER



All-black. Valve dispenses all-purpose soaps. Vandal-resistant lid has keyless locking device, pivots up for easy top filling. Translucent container provides visible soap level. Capacity: 40-fl oz (1.2-L). Concealed wall/mirror mounting, removable for cleaning. Unit 5 13/16" W, 6 7/8" H (150 x 175mm); wall to pushbutton, 3 3/16" (80mm). Universal/Barrier-Free Mtg. Ht.: 50" (1270mm) to top of unit with pushbutton 44" (1120mm) above floor. Patented.



B-132 ClassicSeries™ SURFACE-MOUNTED SOAP DISPENSER



Container is satin-finish stainless steel. Capacity: 32-oz (0.9-L). Dispensing mechanism with stainless steel lever dispenses any free-flowing powdered soap. Agitator spring prevents soap build-up. Top opens with special key provided. Concealed wall fastening. Unit 4 13/16" W, 8 1/8" H (120 x 205mm); wall to lever, 3 7/8" (100mm). Universal/Barrier-Free Mtg. Ht.: 50 5/8" (1285mm) to top of unit with lever 44" (1120mm) above floor.



#B-5050 MatrixSeries™ SURFACE-MOUNTED SOAP DISPENSER



Impact-resistant polymer; grey color. Valve dispenses all-purpose hand soaps, removable for easy maintenance. Lid has concealed locking device. Concealed wall/mirror mounting. Large-capacity container: 50-fl oz (1.5-L). Unit 6" W, 8 1/8" H (150 x 205mm); wall to pushbutton, 4" (100mm). Universal/Barrier-Free Mtg. Ht.: 51" (1295mm) to top of unit with pushbutton 44" (1120mm) above floor. Patented.

SOAP DISPENSER BARRIER-FREE WASHROOM GUIDELINES:

Push buttons and pistons should be operable with one hand and without tight grasping, pinching, or twisting of the wrist. Activation of soap valves should not require more than 5 pounds of force (22.2 N) when unit is completely filled. If wall-mounted units are placed over lavatories or countertops, then their pushbuttons should be located no more than 44" (1120mm) above the finish floor. Depending on the depth of the obstruction, the pushbuttons can be mounted as high as 48" (1220mm).

IMPORTANT NOTE:

All Bobrick liquid soap dispensers are designed to dispense commercially marketed all-purpose hand soaps including liquid and lotion soaps, synthetic detergents, and antibacterial soaps containing PCMX and/or Triclosan. Bobrick soap dispensers are not designed to dispense alcohol-based hand sanitizers or iodine-based surgical soaps.



B-290 SERIES WELDED-FRAME MIRRORS



• One-piece, roll-formed 3/4" x 3/4" (19 x 19mm) angle-frame • Type 304 stainless steel angle with satin finish • Corners heliarc welded, ground and polished smooth • Beveled frame edge at mirror for improved appearance • No. 1 quality, 1/4" (6mm) glass mirror; warranted against silver spoilage for 15 years • Galvanized steel back • Secured to concealed wall hanger with theft-resistant mounting

| MODEL NO. | W | H | MODEL NO. | W | H | | |
|-------------------|-----|-----|-------------|-------------------|-----|-----|--------------|
| B-290 1824 | 18" | 24" | (46 x 61cm) | B-290 2448 | 24" | 48" | (61 x 122cm) |
| B-290 1830 | 18" | 30" | (46 x 76cm) | B-290 2460 | 24" | 60" | (61 x 152cm) |
| B-290 1836 | 18" | 36" | (46 x 91cm) | B-290 2472 | 24" | 72" | (61 x 183cm) |
| B-290 2430 | 24" | 30" | (61 x 76cm) | B-290 7236 | 72" | 36" | (183 x 91cm) |
| B-290 2436 | 24" | 36" | (61 x 91cm) | | | | |

B-292 SERIES WELDED-FRAME MIRROR/SHELF COMBINATION

• Same mirror as B-290 Series • Type 304 satin-finish stainless steel shelf • Shelf projects 5" (127mm), with 3/4" (19mm) return on front and sides; front return edge hemmed for rigidity and safety • Shelf corners heliarc welded, ground and polished smooth

| MODEL NO. | W | H | MODEL NO. | W | H | | |
|-------------------|-----|-----|-------------|-------------------|-----|-----|-------------|
| B-292 1824 | 18" | 24" | (46 x 61cm) | B-292 1836 | 18" | 36" | (46 x 91cm) |
| B-292 1830 | 18" | 30" | (46 x 76cm) | B-292 2436 | 24" | 36" | (61 x 91cm) |

SPECIAL-ORDER CUSTOM SIZE B-290 AND B-292 SERIES MIRRORS

Maximum size of one-piece mirror: 144" x 72" (366 x 183cm). Maximum frame size available: 186" x 72" (472 x 183cm) with two pieces of glass. Shelves longer than 120" (305cm) furnished as two pieces. To specify special sizes, use Series Number followed by width and height in inches.

DESIGNER'S NOTES:

To specify mirrors, use Series Number desired followed by width and height in inches. Width dimension must always be stated first following Series Number. Framed mirrors are manufactured to overall dimensions, as shown in all mirror tables on pages 26 and 27. Overall height of mirror/shelf models includes shelf. Framed mirrors must be installed with width and height dimensions as ordered. Mirror back and wall hanger cannot be installed side ways to reverse width and height dimensions. Provide minimum 3/4" (19mm) clearance at top of mirror for mounting on wall hanger and 1" (25mm) clearance on each side.

B-165 SERIES CHANNEL-FRAME MIRRORS



• One-piece, 1/2" x 1/2" x 1/2" (13 x 13 x 13mm) channel-frame • Type 430 stainless steel with bright polished finish • Mitered corners • Frame screw permits easy replacement of glass • No. 1 quality, 1/4" (6mm) glass mirror warranted against silver spoilage for 10 years • Galvanized steel back • Secured to concealed wall hanger with theft-resistant mounting

| MODEL NO. | W | H | MODEL NO. | W | H | | |
|-------------------|-----|-----|-------------|-------------------|-----|-----|--------------|
| B-165 1624 | 16" | 24" | (41 x 61cm) | B-165 2448 | 24" | 48" | (61 x 122cm) |
| B-165 1824 | 18" | 24" | (46 x 61cm) | B-165 2460 | 24" | 60" | (61 x 152cm) |
| B-165 1830 | 18" | 30" | (46 x 76cm) | B-165 3636 | 36" | 36" | (91 x 91cm) |
| B-165 1836 | 18" | 36" | (46 x 91cm) | B-165 4836 | 48" | 36" | (122 x 91cm) |
| B-165 2430 | 24" | 30" | (61 x 76cm) | B-165 6036 | 60" | 36" | (152 x 91cm) |
| B-165 2436 | 24" | 36" | (61 x 91cm) | | | | |

SPECIAL-ORDER CUSTOM SIZE B-165 SERIES MIRRORS

Maximum size mirror: 72" x 60" (183 x 152cm). To specify special sizes, use Series Number followed by width and height.

B-166 SERIES CHANNEL-FRAME MIRROR/SHELF COMBINATION

• Same mirror as B-165 Series • Type 304 satin-finish stainless steel shelf • Shelf projects 5" (127mm) with 3/8" (10mm) return on front and sides; front return edge hemmed for rigidity and safety

| MODEL NO. | W | H | MODEL NO. | W | H | | |
|-------------------|-----|-----|-------------|-------------------|-----|-----|-------------|
| B-166 1824 | 18" | 24" | (46 x 61cm) | B-166 1836 | 18" | 36" | (46 x 91cm) |
| B-166 1830 | 18" | 30" | (46 x 76cm) | B-166 2436 | 24" | 36" | (61 x 91cm) |

SPECIAL-ORDER CUSTOM SIZE B-166 SERIES MIRRORS

Maximum size mirror: 24" x 60" (61 x 152cm). Maximum shelf length: 24" (61cm). To specify special sizes, use Series Number followed by width and height.

PRICE INDEX:

| | |
|---------------------|------------|
| B-290 SERIES | 2.0 |
| B-292 SERIES | 1.9 |
| B-166 SERIES | 1.0 |
| B-165 SERIES | 1.0 |

Note: Price indices are a comparison of washroom accessories for a typical layout of popularly specified products. Selected accessory mix may affect Price Index comparisons.

**STANDARD SIZE
TEMPERED GLASS MIRRORS**



B-2908 SERIES

B-1658 SERIES

Tempered glass mirrors are engineered for heavy-traffic, vandal-prone restrooms in K-12 school buildings, stadiums, outdoor recreation centers and low-supervision facilities such as parks and highway rest stops.

Tempered glass mirrors resist breakage and provide a measure of safety from broken glass, but differ in color and reflective quality from standard glass mirrors. Bobrick uses the highest quality tempered glass mirrors. Modest distortion or heat-generated markings are normal in the tempered glass mirror manufacturing process. Therefore, Bobrick will not accept returns of tempered glass mirrors with random distortion or markings.

B-2908 SERIES STANDARD SIZE TEMPERED GLASS WELDED-FRAME MIRRORS



- Same frame as B-290 Series • 1/4" (6mm) tempered glass mirror

| MODEL NO. | W | H |
|-------------|-----|-----------------|
| B-2908 1830 | 18" | 30" (46 x 76cm) |
| B-2908 1836 | 18" | 36" (46 x 91cm) |
| B-2908 2436 | 24" | 36" (61 x 91cm) |

B-1658 SERIES STANDARD SIZE TEMPERED GLASS CHANNEL-FRAME MIRRORS



- Same frame as B-165 Series • 1/4" (6mm) tempered glass mirror

| MODEL NO. | W | H |
|-------------|-----|-----------------|
| B-1658 1830 | 18" | 30" (46 x 76cm) |
| B-1658 1836 | 18" | 36" (46 x 91cm) |
| B-1658 2436 | 24" | 36" (61 x 91cm) |

SPECIAL-ORDER REFLECTIVE SURFACES

Polished Stainless Steel, Tempered and Laminated Glass Mirrors resist breakage and provide a measure of safety from broken glass, but differ in color and reflective quality from standard glass mirrors. Modest distortion is normal and not a returnable condition. Available on special order.

POLISHED STAINLESS STEEL

B-1656 Series Mirrors (up to 72" x 24"; 183 x 61cm)
B-2906 Series Mirrors (up to 72" x 24"; 183 x 61cm)

TEMPERED GLASS

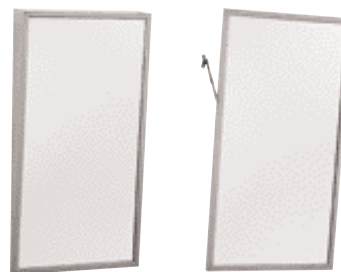
B-1658 Series Mirrors (up to 72" x 48"; 183 x 122cm)
B-2908 Series Mirrors (up to 120" x 48"; 305 x 122cm)

LAMINATED GLASS

B-1659 Series Mirrors (up to 72" x 48"; 183 x 122cm)
B-2909 Series Mirrors (up to 96" x 48"; 245 x 122cm)

MIRROR BARRIER-FREE WASHROOM GUIDELINES:

Bottom edge of reflective surface should be mounted no higher than 40" (1015mm) above the finish floor. A single full-length mirror is recommended in each washroom because it is universally usable.



B-293

B-294

B-293 SERIES FIXED-POSITION TILT MIRRORS



Provide visibility for wheelchair patients. Frame is type 304 stainless steel, satin finish. Beveled edges of frame hug mirror; provides gapless fit for improved appearance, and safety when cleaning mirror. No. 1 quality, 1/4" (6mm) glass mirror electrolytically copper plated. Mirror extends 4" (100mm) from wall at top and tapers to 1" (25mm) at bottom.

| MODEL NO. | W | H | MODEL NO. | W | H |
|------------|-----|-----------------|------------|-----|-----------------|
| B-293 1630 | 16" | 30" (41 x 76cm) | B-293 1836 | 18" | 36" (46 x 91cm) |
| B-293 1830 | 18" | 30" (46 x 76cm) | B-293 2436 | 24" | 36" (61 x 91cm) |

SPECIAL-ORDER CUSTOM SIZE B-293 SERIES MIRRORS

Maximum size mirror: 36" x 48" (914 x 1219mm).

B-294 SERIES ANGLE-FRAME TWO POSITION TILT MIRROR



Tilt forward to provide full visibility for wheelchair patients or return to upright position. Frame is 3/4" x 3/4" (19 x 19mm), type 304 stainless steel angle, satin finish. Beveled edges of frame hug mirror; provides gapless fit for improved appearance, and safety when cleaning mirror. No. 1 quality, 1/4" (6mm) glass mirror electrolytically copper-plated. Top of mirror tilts 7" (180mm) from wall with self-locking mechanisms; bottom of mirror mounts to wall with full-length stainless steel hinge.

| MODEL NO. | W | H | MODEL NO. | W | H |
|------------|-----|-----------------|------------|-----|-----------------|
| B-294 1624 | 16" | 24" (41 x 61cm) | B-294 1630 | 16" | 30" (41 x 76cm) |

SPECIAL-ORDER CUSTOM SIZE B-294 SERIES MIRRORS

Maximum size mirror: 30" x 36" (762 x 914mm).



B-1556 SERIES FRAMELESS MIRRORS

Bright polished stainless steel. Mirror has 1/4" (6mm) return concealing 1/4" (6mm) tempered masonite backing. Furnished with four mounting screws.

| MODEL NO. | W | H | MODEL NO. | W | H |
|-------------|---------|---------------------|-------------|---------|---------------------|
| B-1556 1620 | 15 1/2" | 19 1/2" (39 x 50cm) | B-1556 1830 | 17 1/2" | 29 1/2" (44 x 75cm) |
| B-1556 1824 | 17 1/2" | 23 1/2" (44 x 60cm) | B-1556 2436 | 23 1/2" | 35 1/2" (60 x 90cm) |



B-942 FRAMELESS MIRROR (FRONT SECURED)

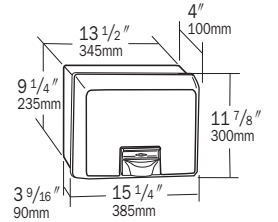


Mirror is 11 1/4" x 17 1/4" (285 x 440mm) overall, 1/4" (6mm) deep. 18-gauge (1.2mm), type 430 stainless steel with bright polished finish.



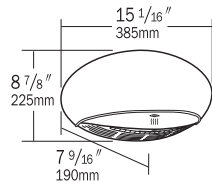
⚡B-750, B-7507 AirCraft® RECESSED HAND DRYERS

Durable, cast-iron with white vitreous enamel finish, automatic sensor, ⚡115V AC, 20 Amp, 2300 Watts, 50/60 Hz, or 208-240V AC, 9-10 Amp, 1900-2400 Watts, 50/60 Hz, VDE approved, with CE marking. Patented. B-750 shown.



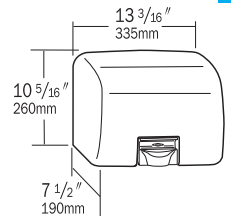
⚡B-740 Eclipse® SURFACE-MOUNTED HAND DRYER

Durable, drawn-steel white vitreous enamel cover, automatic sensor, ⚡115V AC, 20 Amp, 2300 Watts, 50/60 Hz, or 208-240V AC, 9-10 Amp, 1900-2400 Watts, 50/60 Hz, VDE approved, with CE marking. Patented.



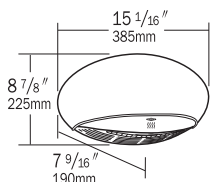
⚡B-708 AirGuard™ SURFACE-MOUNTED HAND DRYER

Durable, cast-iron with white vitreous enamel cover, automatic sensor, ⚡115V AC, 20 Amp, 2300 Watts, 50/60 Hz, or 208-240V AC, 9-10 Amp, 1900-2400 Watts, 50/60 Hz, VDE approved, with CE marking.



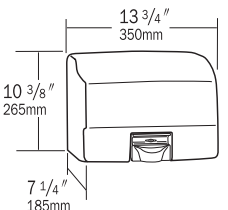
B-748 Eclipse® SURFACE-MOUNTED HAND DRYER

Durable, drawn-steel bright-polished chrome-plated cover, automatic sensor, 115V AC, 20 Amp, 2300 Watts, 50/60 Hz, or 208-240V AC, 9-10 Amp, 1900-2400 Watts, 50/60 Hz, VDE approved, with CE marking. Patented.



⚡B-700, B-7007 AirCraft® SURFACE-MOUNTED HAND DRYERS, B-731 AirCraft® HAIR DRYER

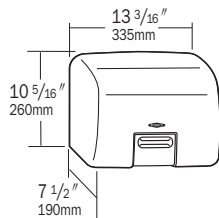
Cast-iron with white vitreous enamel finish, automatic (B-731, touch-button operation, 80-sec. drying cycle), ⚡115V AC, 20 Amp, 2300 Watts, 50/60 Hz, or 208-240V AC, 9-10 Amp, 1900-2400 Watts, 50/60 Hz, VDE approved, with CE marking. Patented. B-700 shown.





B-709 AirPro™ SURFACE-MOUNTED HAND DRYER

Durable, cast aluminum white painted cover, automatic sensor, 115V AC, 20 Amp, 2300 Watts, 50/60 Hz, or 208–240V AC, 9–10 Amp, 1900–2400 Watts, 50/60 Hz, VDE approved, with CE marking.



- **11 STYLING, PERFORMANCE AND PRICING CHOICES.**
- **6 DISTINCTIVE DESIGNS, 5 MATERIALS/FINISHES.**
- **5 ELECTRONIC PLATFORMS.**
- **5 VANDAL-RESISTANCE LEVELS.**
- **ENVIRONMENTALLY RESPONSIBLE.**
- **ELIMINATES PAPER COSTS, VANDALISM AND EXPENSIVE WASTE DISPOSAL.**

PRICE INDEX:

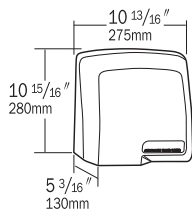
| | | | |
|---------------|------------|--------------|------------|
| B-7507 | 1.8 | B-708 | 1.0 |
| B-750 | 1.6 | B-709 | 0.9 |
| B-7007 | 1.6 | B-740 | 0.8 |
| B-700 | 1.4 | B-710 | 0.6 |
| B-731 | 1.4 | B-705 | 0.4 |
| B-748 | 1.2 | | |

This chart will assist you in selecting models to meet your budget requirements. Bobrick's B-708 AirGuard is the industry standard for vitreous enamel on cast iron construction with an index of 1.0.



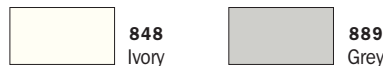
B-710 CompacDryer™ SURFACE MOUNTED HAND DRYER

One-piece grey-molded plastic cover, automatic sensor, 115V AC, 15 Amp, 1725 Watts, 60 Hz. Patented.



DESIGNER'S NOTES:

1. When ordering, specify voltage by adding 115V or 230V following model number, example: B-700 115V.
2. B-7007, B-7507 AirCraft Dryer Colors



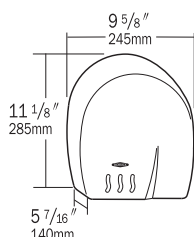
Specify color following voltage. Example: B-7007 115V #889. Colors are printed reproductions and are shown for descriptive purposes only.

3. B-705 Cub and B-710 CompacDryer are not designed for vandal-prone installations. For vandal-prone installations, use Bobrick AirCraft and B-708 AirGuard dryers with cast-iron vitreous enamel finished covers, or B-740 Eclipse dryer with drawn steel, vitreous enamel finished cover.
4. Bobrick automatic hand dryers should be installed 15" (380mm) above any projection or horizontal surface which may interfere with the operation of the automatic sensor.
5. Bobrick dryers comply with EU Directive "Restriction of Hazardous Substances" (RoHS) requirements for non-use of certain hazardous substances in the production of electronic products.



B-705 Cub™ SURFACE-MOUNTED HAND DRYER

One-piece white-molded plastic cover, automatic sensor, 115 V AC, 9 Amp, 1035 Watts, 60 Hz. Patented.

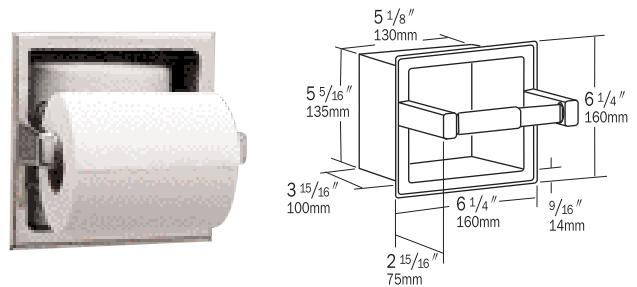


WARRANTIES:

For product warranties and limitations information, see page 51.

WARM-AIR HAND DRYER BARRIER-FREE WASHROOM GUIDELINES:

Start buttons should be operable with one hand and with no more than 5 pounds of force (22.2 N), and they should protrude and be a contrasting color from surrounding material so visually impaired people can see them well and blind people can feel them easily; otherwise, provide automatic dryers with no-touch operation. When a single dryer is installed in a washroom, it is recommended that the bottom of the dryer or the start button on Model B-731 be located 38" to 40" (965–1220mm) above the finish floor, with at least 30" x 48" (760 x 1220mm) of clear floor space centered in front of the unit to allow both left- and right-hand wheelchair approaches. When two or more dryers are installed, mount one dryer so the bottom of the dryer or the start button of Model B-731 is 38" to 40" (965–1220mm) above the finish floor and locate others at 41" to 48" (1040–1220mm), and alternate left- and right-hand approaches.



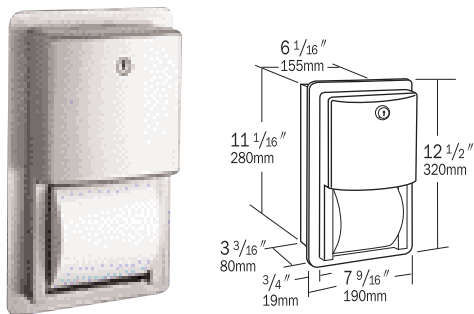
B-663 RECESSED TOILET TISSUE DISPENSER WITH STORAGE SPACE FOR EXTRA ROLL



Bright polished stainless steel. Chrome-plated plastic spindle holds rolls up to 5 1/8" (130mm) dia. (1500 sheets). Recessed cabinet 3 15/16" (100mm) deep holds spare roll. Unit 6 1/4" W, 6 1/4" H (160 x 160mm). Rough Wall Opening: 5 1/2" W, 5 1/2" H, 4" min. depth (140 x 140 x 100mm). Universal/Barrier-Free Mtg. Ht.: 22 1/8" (560mm) to top of unit.

B-6637 Similar to B-663, but with satin finish.

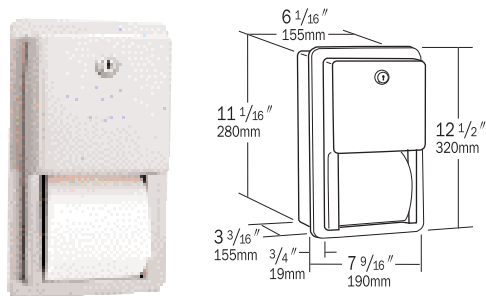
Theft-resistant Spindle (Part No. 283-604) available as an option for above models, see page 32.



B-4388 ConturaSeries™ RECESSED MULTI-ROLL TOILET TISSUE DISPENSER



Satin-finish stainless steel unit and dispensing mechanism. Flush tumbler lock. Holds two rolls up to 5 1/4" (133mm) dia. (1800 sheets). Extra roll drops in place when bottom roll is depleted. Theft-resistant, heavy-duty spindles. Extends 2 3/4" (70mm) from wall. Rough Wall Opening: 6 1/4" W, 11 1/4" H, 3 1/4" min. depth (160 x 285 x 85mm). Av. Mtg. Ht.: 28 3/4–36 3/4" (730–935mm) to top of unit; Barrier-Free, 28 3/4" (730mm). Patented.



B-3888 ClassicSeries™ RECESSED MULTI-ROLL TOILET TISSUE DISPENSER



Satin-finish stainless steel unit and dispensing mechanism. Door has flat face with protruding tumbler lock. Holds two rolls up to 5 1/4" (133mm) dia. (1800 sheets). Extra roll drops in place when bottom roll is depleted. Theft-resistant, heavy-duty spindles. Extends 2 3/4" (70mm) from wall. Rough Wall Opening: 6 1/4" W, 11 1/4" H, 3 1/4" min. depth (160 x 285 x 85mm). Av. Mtg. Ht.: 28 3/4–36 3/4" (730–935mm) to top of unit; Barrier-Free, 28 3/4" (730mm). Patented.



B-667

B-697



B-699

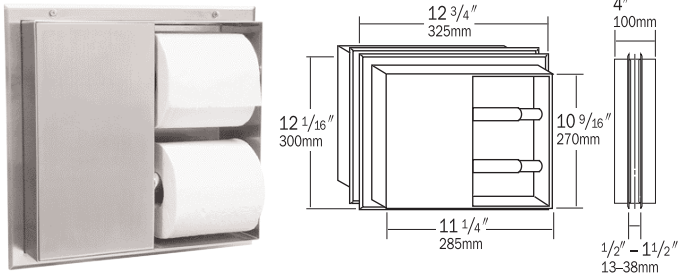
600 SERIES RECESSED TOILET TISSUE DISPENSERS



- Type 304 stainless steel with one-piece seamless construction.
- Choice of finish: bright polished or satin.
- Chrome-plated plastic spindles hold rolls up to 5 1/8" (130mm) dia. (1500 sheets).
- Choice of capacity: single-roll models measure 6 1/8" W x 6 1/8" H (155 x 155mm); double-roll models measure 12 5/16" W x 6 1/8" H (315 x 155mm).
- Mounting: clamps for securing to stud walls or countertop aprons.
- Rough Wall Openings: single-roll models require 5 1/2" W x 5 1/4" H x 3 3/8" min. depth (140 x 135 x 85mm), double-roll models require 11 3/4" W x 5 1/4" H x 3 3/8" min. depth (300 x 135 x 85mm).

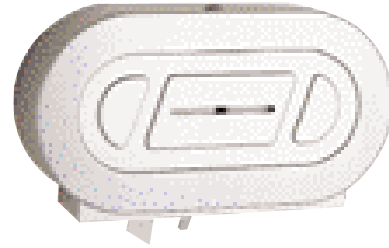
| *MODEL NO. | CAPACITY | | FINISH | | STAINLESS STEEL HOODS |
|---------------|----------|---------|--------|-------|-----------------------|
| | 1 ROLL | 2 ROLLS | BRIGHT | SATIN | |
| B-667 | ✓ | | ✓ | | |
| B-6677 | ✓ | | | ✓ | |
| B-669 | ✓ | | ✓ | | ✓ |
| B-6697 | ✓ | | | ✓ | ✓ |
| B-697 | | ✓ | ✓ | | |
| B-6977 | | ✓ | | ✓ | |
| B-699 | | ✓ | ✓ | | ✓ |
| B-6997 | | ✓ | | ✓ | ✓ |

*Theft-Resistant Spindle (Part No. 283-604) available as an option for all models, see page 32.



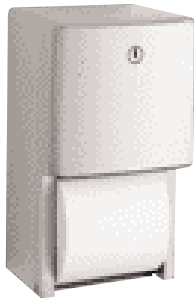
B-386 PARTITION-MOUNTED MULTI ROLL TOILET TISSUE DISPENSER (SERVES TWO TOILET COMPARTMENTS) **S T**

Satin-finish stainless steel. Mounts centered through toilet partitions, 1/2–2" (13–51mm) thick; used from both sides. Holds four standard core toilet tissue rolls up to 5 1/8" (130mm) dia.; two for each side. Chrome-plated plastic spindles with heavy-duty internal springs. Rough Partition Opening: 11 1/2" W, 10 7/8" H (290 x 275mm). Av. Mtg. Ht.: 36" (915mm) to top of unit; Barrier-Free Mtg. Ht.: 27 1/2" (700mm). Theft-Resistant Spindle (Part No. 283-604) available as an option for above model, see page 32.



B-2892 ClassicSeries™ SURFACE MOUNTED TWIN JUMBO-ROLL TOILET TISSUE DISPENSER **T**

Satin-finish stainless steel. Equipped with tumbler lock. Spindles hold two 10" (255mm) dia. rolls with 2 1/4" (55mm) dia. core rolls; convertible for 3" (75mm) dia. core rolls. Sliding access panel exposes one roll at a time, allows easy roll change-over. Wide viewing slot in door. Quick reloading. Unit 20 13/16" W, 11 3/8" H, 5 5/16" D (530 x 290 x 135mm). Universal/Barrier-Free Mtg. Ht.: 30" (760mm) to top of unit. Patented.



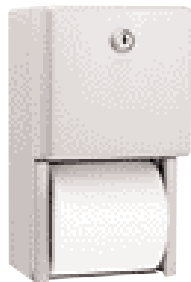
B-4288 ConturaSeries™ SURFACE MOUNTED MULTI-ROLL TOILET TISSUE DISPENSER **P**

Satin-finish stainless steel unit with stainless steel dispensing mechanism. Flush tumbler lock. Holds two rolls up to 5 1/4" (135mm) dia. (1800 sheets). Extra roll automatically drops in place when bottom roll is depleted. Theft-resistant, heavy-duty spindles. Unit 6 1/16" W, 11" H, 5 15/16" D (155 x 280 x 150mm). Av. Mtg. Ht.: 28–36" (710–915mm) to top of unit; Barrier-Free 28" (710mm). Patented.



B-2890 SINGLE JUMBO-ROLL SURFACE MOUNTED TOILET TISSUE DISPENSER

Satin-finish stainless steel. Equipped with spring lock. Spindle holds one 10" (255mm) dia. roll with 3" (75mm) dia. core. Convertible for 2 11/16" (70mm) and 1 5/8" (40mm) dia. core rolls. Powder-coated mounting plate. Slot reveals tissue supply. Unit 10 5/8" W, 10 5/8" H, 4 1/2" D (270 x 270 x 115mm). Universal/Barrier-Free Mtg. Ht.: 29 1/2" (750mm) to top of unit.



B-2888 ClassicSeries™ SURFACE-MOUNTED MULTI-ROLL TOILET TISSUE DISPENSER **S T**

Satin-finish stainless steel unit with stainless steel dispensing mechanism. Door has flat face with protruding tumbler lock. Holds two rolls up to 5 1/4" (135mm) dia. (1800 sheets). Extra roll automatically drops in place when bottom roll is depleted. Theft-resistant, heavy-duty spindles. Unit 6 1/16" W, 11" H, 5 15/16" D (155 x 280 x 150mm). Av. Mtg. Ht.: 28–36" (710–915mm) to top of unit; Barrier-Free 28" (710mm). Patented.

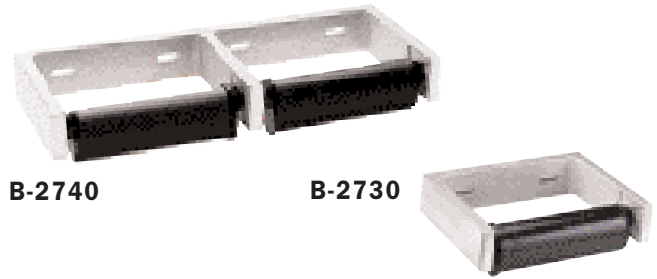
TOILET TISSUE DISPENSER BARRIER-FREE WASHROOM GUIDELINES:

For universal access, roll-type dispensers without controlled delivery are preferred. Folded-tissue dispensers are not recommended because they require a finger-pinching action. Standard toilet tissue rolls should be mounted with their forward edge no more than 36" (915mm) from the back wall, their vertical centerline 7" to 9" (180–230mm) in front of toilet seat, and their horizontal centerline at least 19" (485mm) above the finish floor.



B-52891 MarixSeries™ SURFACE-MOUNTED JUMBO-ROLL TOILET TISSUE DISPENSER 

Durable ABS plastic; grey color. Spindle holds one 10" (255mm) dia. roll with 3" (75mm) dia. core; convertible in field to hold 2 1/4" (55mm) dia. core roll. Concealed locking device. Viewing slot in door. Unit 10 3/4" W, 12 9/16" H, 5 1/4" D (275 x 320 x 135mm). Universal/Barrier-Free Mtg. Ht.: 31" (785mm) to top of unit. Patented.



B-2740

B-2730

⚡B-2740 ClassicSeries™ SURFACE-MOUNTED TOILET TISSUE DISPENSER FOR TWO ROLLS 

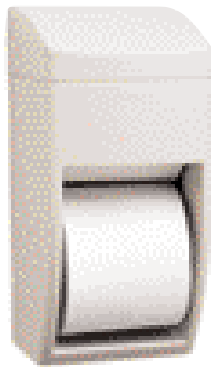
Cast aluminum, satin finish. Plastic spindles have concealed locking device; theft-resistant. Holds two rolls up to 6" (150mm) dia. (2000 sheets). Unit 12 1/2" (320mm) wide, projects 4 7/8" (125mm) from wall. No controlled delivery. Universal/Barrier-Free Mtg. Ht.: 19 3/4" (500mm) to top of unit.

⚡B-274 Similar to B-2740, with controlled delivery.

⚡B-2730 TOILET TISSUE DISPENSER FOR SINGLE ROLL 

Unit 6 1/2" (165mm) wide. No controlled delivery.

⚡B-273 Similar to B-2730, with controlled delivery.



⚡B-5288 MatrixSeries™ SURFACE-MOUNTED MULTI-ROLL TOILET TISSUE DISPENSER 

Durable ABS plastic; grey color. Two-roll dispensing mechanism for rolls up to 5 3/4" (145mm) dia. (2000 sheets). Extra roll easily shifts into place when bottom roll is depleted. Concealed locking device. Unit 6 1/4" W, 13 1/2" H, 6 7/8" D (160 x 345 x 175mm). Av. Mtg. Ht.: 28-36" (710-915mm) to top of unit; Barrier-Free 28" (710mm). Patented.



⚡B-27460 SURFACE-MOUNTED TOILET TISSUE DISPENSER FOR TWO ROLLS 

Vandal-resistant unit: heavy-duty cast aluminum, satin finish. Tumbler lock secures spindles in place. High-impact plastic spindles hold rolls up to 6" (150mm) dia. (2000 sheets). Unit 14 1/8" (360mm) wide, projects 5 1/4" (135mm) from wall. No controlled delivery. Universal/Barrier-Free Mtg. Ht.: 20 1/8" (510mm) to top of unit. Patented.

B-2746 Similar to B-27460, with controlled delivery. Patented.



B-6699 SURFACE-MOUNTED TOILET TISSUE DISPENSER WITH HOOD FOR SINGLE ROLL 

Bright polished stainless steel. Hood protects paper. Chrome-plated plastic spindle holds rolls up to 5 1/8" (130mm) dia. (1500 sheets). Unit 6 3/16" W, 6 3/16" H (155 x 155mm); hood projects 4 3/4" (120mm) from wall with full roll in place. Universal/Barrier-Free Mtg. Ht.: 22" (560mm) to top of unit. **B-66997** Similar to B-6699, but with satin finish.

B-6999 TOILET TISSUE DISPENSER WITH HOODS FOR TWO ROLLS

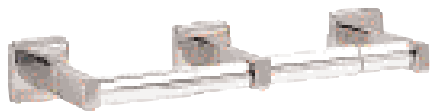
Bright polished finish. Unit 12 3/8" W, 6 3/16" H (315 x 155mm); hoods project 4 3/4" (120mm) from wall with full roll in place.

B-69997 Similar to B-6999, but with satin finish.



⚡B-283-604 THEFT-RESISTANT SPINDLE

Molded plastic spindle with concealed locking feature is available as an option or replacement part for Bobrick surface-mounted and recessed toilet tissue dispensers. After rolls are depleted, spindle is removed with special key furnished; theft-resistant. Patented.



B-7686



B-7685

B-7685 ClassicSeries™ SURFACE-MOUNTED TOILET TISSUE DISPENSER FOR SINGLE ROLL 

Bright polished stainless steel. Support-arm flanges lock to concealed stainless steel wall plate. Chrome-plated plastic spindle holds rolls up to 5 1/2" (140mm) dia. (1800 sheets). Unit 7 1/4" W, 2" H (185 x 50mm); projects 3 15/16" (100mm) from wall. Universal/Barrier-Free Mtg. Ht.: 20" (510mm) to top of unit.

B-76857 Similar to B-7685, but with satin finish.

B-685 SURFACE-MOUNTED TOILET TISSUE DISPENSER FOR SINGLE ROLL 

Bright polished stainless steel. Support-arm flanges lock to concealed stainless steel wall plate. Chrome-plated plastic spindle holds rolls up to 5 1/2" (140mm) dia. (1800 sheets). Unit 7 1/4" W, 2" H (185 x 50mm); projects 3 15/16" (100mm) from wall.

B-6857 Similar to B-685, but with satin finish.

B-7686 ClassicSeries™ SURFACE-MOUNTED TOILET TISSUE DISPENSER FOR TWO ROLLS 

Bright polished stainless steel. Unit 12 1/2" W, 2" H (320 x 50mm); projects 3 15/16" (100mm) from wall.

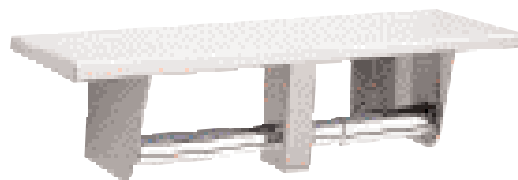
B-76867 Similar to B-7686, but with satin finish.

B-686 SURFACE-MOUNTED TOILET TISSUE DISPENSER FOR TWO ROLLS 

Bright polished stainless steel. Unit 12 1/2" W, 2" H (320 x 50mm); projects 3 15/16" (100mm) from wall.

B-6867 Similar to B-686, but with satin finish.

Theft-Resistant Spindle (Part No. 283-604) available as an option for above models, see page 32.



B-2840 SURFACE-MOUNTED TOILET TISSUE DISPENSER WITH SHELF

Satin-finish stainless steel. Shelf has 1/2" (13mm) returns, hemmed front edge. Chrome-plated plastic spindles hold rolls up to 5 1/2" (140mm) dia. (1800 sheets). Unit 16" W, 4" H, 5" D (405 x 100 x 125mm). Universal/Barrier-Free Mtg. Ht.: 22" (560mm) to top of unit.

Theft-Resistant Spindle (Part No. 283-604) available as an option for above model, see page 32.



B-272 SURFACE-MOUNTED TOILET TISSUE CABINET

Satin-finish stainless steel. Equipped with tumbler lock; vandal-resistant. Dispenses either single- or double-fold toilet tissue. Large capacity: 1330 singlefold tissues. Slots in cabinet indicate refill time. May be refilled with full standard pack before dispenser is empty. Unit 5" W, 8 15/16" H, 3" D (125 x 225 x 710mm).



B-264

B-265



B-264 ClassicSeries™ SURFACE-MOUNTED VANDAL-RESISTANT TOILET TISSUE DISPENSER FOR SINGLE ROLL

Bright polished chrome-plated steel. Self-locking mechanism. Controlled delivery. Accommodates one standard-core toilet tissue roll up to 4 1/2" (115mm) diameter. Roll cannot be removed from dispenser until empty. Unit 6" W, 2 3/4" H (150 x 70mm); projects 4 1/4" (110mm) from wall.

B-265 ClassicSeries™ SURFACE-MOUNTED TOILET TISSUE DISPENSER FOR TWO ROLLS

Similar to B-264, Unit 12 1/4" W, 2 3/4" H (310 x 70mm), projects 4 1/4" (110mm) from wall.

PRICE INDEX:

| | |
|------------------------|------------|
| ConturaSeries™ | 2.0 |
| TrimLineSeries™ | 1.7 |
| ClassicSeries™ | 1.0 |
| MatrixSeries™ | 0.6 |

Note: Price indices are a comparison of washroom accessories for a typical layout of popularly specified products. Selected accessory mix may affect Price Index comparisons.



DESIGNER'S NOTES:


1. Partition-mounted units B-3471, B-3571 with one side flush to partition of Barrier-Free compartment have toilet tissue on left when facing unit.
2. Recessed units B-3474, B-3574 and surface-mounted units B-3479, B-3579 have toilet tissue on right when facing unit.
3. Rear edge of partition cutout should be 20 1/2" (520mm) from back wall. This will locate toilet tissue within 12" (305mm) of front of a standard toilet that projects 30" (760mm) from back wall.
4. Cutouts in partitions for accessories can be pre-cut at factory if location and size of cutouts are specified and orders for both partitions and accessories are received together.
5. When combination units are mounted in an accessible toilet compartment through the shared toilet partition panel, the unit's location in the adjoining toilet compartment must permit the unit's complete operation, and allow for the unit's door to swing clear of the toilet when custodians service the unit.




B-357

⚡ **B-357 ClassicSeries™ PARTITION-MOUNTED SEAT-COVER DISPENSER, SANITARY NAPKIN DISPOSAL AND TOILET TISSUE DISPENSER**

Mounts centered through toilet partition. Used from both sides, serviced from one side. Capacity: 0.8-gal. (3.0L). Holds 1000 toilet seat covers and four rolls of tissue, two for each compartment. Theft-resistant spindles. Rough Partition Opening: 15 1/2" W, 28 7/8" H (395 x 735mm). Av. Mtg. Ht.: 60" (1525mm) to top of unit.

⚡ **B-3571** Similar to B-357, but one side mounts flush against partition of Barrier-Free compartment to allow clearance for grab bar. Universal/Barrier-Free Mtg. Ht.: 43 1/4" (1100mm) to top of unit. 

⚡ **B-3574** Similar to B-3571, but for recessed installation in side wall of single compartment. Rough Wall Opening: 16" W, 29 1/4" H, 4" min. depth (405 x 745 x 100mm). Av. Mtg. Ht.: 60" (1525mm) to top of unit; Barrier-Free, 43 1/4" (1100mm). 

B-3579 Similar to B-3574, but with stainless steel skirt for surface mounting. Av. Mtg. Ht.: 60" (1525mm) to top of unit.




B-3471

⚡ **B-3471 ClassicSeries™ PARTITION MOUNTED SEAT-COVER DISPENSER AND TOILET TISSUE DISPENSER**

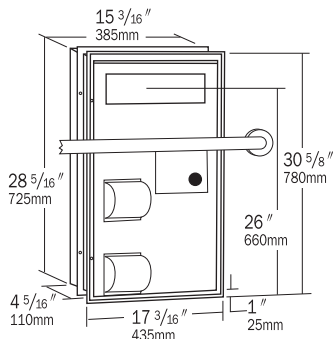
One side mounts flush against partition of Barrier-Free compartment to allow clearance for grab bar. Used from both sides, serviced from one side. Holds 1000 toilet seat covers and four rolls of tissue, two for each compartment. Theft-resistant spindles. Rough Partition Opening: 15 1/2" W, 28 7/8" H (395 x 735mm). Universal/Barrier-Free Mtg. Ht.: 43 1/4" (1100mm) to top of unit.

⚡ **B-347** Similar to B-3471, but mounts centered through toilet partition. Used from both sides, serviced from one side. Average Mounting Height: 60" (1525mm) to top of unit.

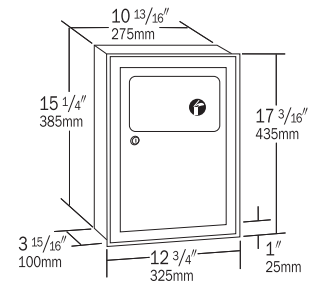
⚡ **B-3474** Similar to B-3471, but for recessed installation in side wall of single compartment. Rough Wall Opening: 16" W, 29 1/4" H, 4" min. depth (405 x 745 x 100mm). Av. Mtg. Ht.: 60" (1525mm) to top of unit; Barrier-Free, 43 1/4" (1100mm). 

B-3479 Similar to B-3474, but with stainless steel skirt for surface mounting. Av. Mtg. Ht.: 60" (1525mm) to top of unit.

Dimensions typical for all partition-mounted models with toilet-seat-cover dispensers.



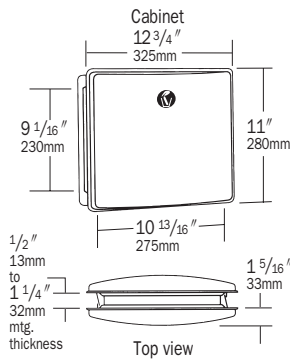
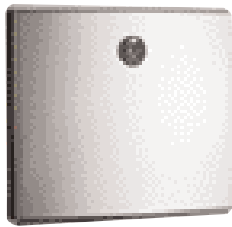
- Partition-Mounted Models B-347, B-3471, B-357, B-3571 mount through partitions 1/2" to 2" (13–51mm) thick, serving two compartments.
- Models B-3471, B-3474, B-3571, B-3574 meet accessibility guidelines.
- Toilet tissue dispensers accommodate 5 1/4" (135mm) diameter, 1800-sheet rolls.
- Flanges are one-piece seamless, doors secured with full-length stainless steel hinges, and tumbler locks keyed like other Bobrick models.
- Constructed of type 304 stainless steel throughout with satin finish on all exposed surfaces; welded construction.
- Theft-resistant spindles included.



B-353 ClassicSeries™ RECESSED SANITARY NAPKIN DISPOSAL



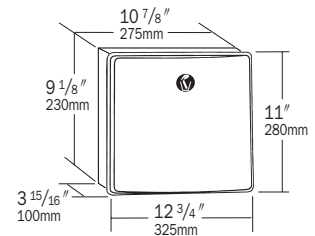
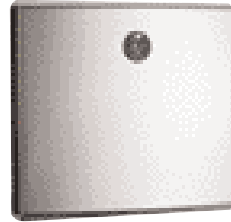
Satin-finish stainless steel. Seamless beveled flange. Door has tumbler lock. Self-closing panel covers disposal opening. Removable, leak-proof, 1.2-gal. (4.6-L) plastic receptacle. Rough Wall Opening: 11 1/4" W, 15 5/8" H, 4" min. depth (285 x 395 x 100mm). Universal/Barrier-Free Mtg. Ht.: 31" (785mm) to top of unit.



B-4354 ConturaSeries™ PARTITION MOUNTED SANITARY NAPKIN DISPOSAL



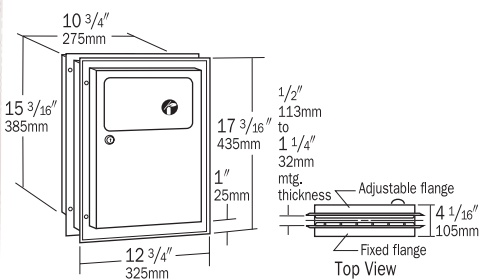
Satin-finish stainless steel. Mounts in toilet partition 1/2-1 1/4" (13-32mm) thick. Self-closing doors pull down with less than 5 lb of force (22.2 N) for access to disposal. Removable, leak-proof, 0.7-gal. (2.7-L) plastic receptacle. Rough Partition Opening: 11" W, 9 3/8" H (280 x 240mm). Universal/Barrier-Free Mtg. Ht.: 31" (785mm) to top of unit. Patented.



B-4353 ConturaSeries™ RECESSED SANITARY NAPKIN DISPOSAL



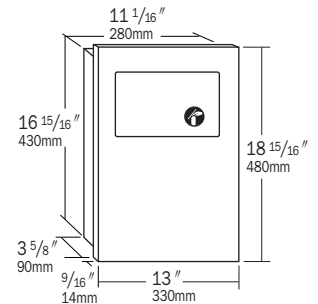
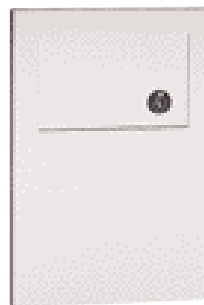
Satin-finish stainless steel. Self-closing door pulls down for access to disposal. Furnished with removable, leak-proof, 1.2-gal. (4.6-L) plastic receptacle. Rough Wall Opening: 11 1/4" W, 9 1/2" H, 4" min. depth (285 x 240 x 100mm). Universal/Barrier-Free Mtg. Ht.: 31" (785mm) to top of unit. Patented.



B-354 ClassicSeries™ PARTITION MOUNTED SANITARY NAPKIN DISPOSAL



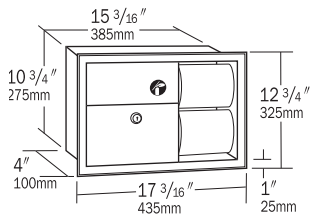
Satin-finish stainless steel. Mounts in partitions 1/2-1 1/4" (13-32mm) thick. Self-closing panels cover openings. Removable, leakproof, 1.2-gal. (4.6-L) plastic receptacle. Rough Partition Opening: 11" W, 15 1/2" H (280 x 395mm). Universal/Barrier-Free Mtg. Ht.: 31" (785mm) to top of unit.



B-35303 TrimLineSeries™ RECESSED SANITARY NAPKIN DISPOSAL



Satin-finish stainless steel. Door has 90° return, conceals flange. Self-closing panel covers disposal opening. Removable, leak-proof, 1.2-gal. (4.6-L) plastic receptacle. Rough Wall Opening: 11 1/2" W, 17 1/4" H, 3 3/4" min. depth (290 x 440 x 95mm). Universal/Barrier-Free Mtg. Ht.: 31" (785mm) to top of unit.



B-3094 ClassicSeries™ RECESSED SANITARY NAPKIN DISPOSAL AND TOILET TISSUE DISPENSER



Satin-finish stainless steel. Disposal door is self-closing. Receptacle retained in cabinet by tumbler lock. Capacity: 3/4-gal. (2.8-L). Holds two rolls up to 5 1/4" (135mm) dia. (1800 sheets). Rough Wall Opening: 15 5/8" W, 11 1/4" H, 4" min. depth (395 x 285 x 100mm). Universal/Barrier-Free Mtg. Ht.: 30" (760mm) to top of unit.

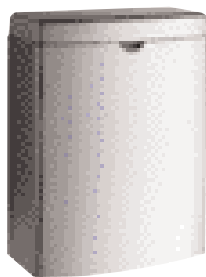
Theft-Resistant Spindle (Part No. 283-604) available as an option for above model, see page 32.



B-254 ClassicSeries™ SURFACE-MOUNTED SANITARY NAPKIN DISPOSAL



Satin-finish stainless steel. Door has tumbler lock. Self-closing panel covers disposal opening. Removable, leak-proof, 1.2-gal. (4.6-L) plastic receptacle. Unit 10 1/4" W, 15 1/8" H, 4 1/16" D (270 x 385 x 105mm). Universal/Barrier-Free Mtg. Ht.: 30" (760mm) to top of unit.



B-270 ConturaSeries™ SURFACE MOUNTED SANITARY NAPKIN DISPOSAL



Satin-finish stainless steel. Cover is drawn, one-piece construction; secured to cabinet with full-length stainless steel piano-hinge. Capacity: 1.0-gal. (3.8-L). Unit 7 1/2" W, 10" H, 3 13/16" D (190 x 255 x 95mm). Universal/Barrier-Free Mtg. Ht.: 25-30" (635-760mm) to top of unit. Patented.



B-5270 MatrixSeries™ SURFACE-MOUNTED SANITARY NAPKIN DISPOSAL



Durable ABS plastic; grey color. Lid features fingertip handles for easy access. Capacity: 1.3-gal. (4.8-L). Unit 9 1/4" W, 11 3/8" H, 3 7/8" D (235 x 290 x 100mm). Universal/Barrier-Free Mtg. Ht.: 25-30" (635-760mm) to top of unit. Patented.

TOILET COMPARTMENT ACCESSORIES BARRIER FREE WASHROOM GUIDELINES:

It is critical to consult state and local jurisdictions and accessibility codes to confirm compliance of horizontal and vertical mounting locations of individual and combination accessories within toilet compartments, including toilet tissue dispensers, toilet seat cover dispensers, sanitary napkin disposals and grab bars.

**DISPOSABLE PAPER LINERS, 1000 PER CASE:
ORDER PART NO. FOR MODEL NO.**

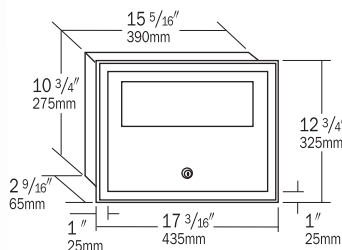
| | |
|---------------|--|
| 270-12 | B-270, B-5270 |
| 353-12 | B-254, B-353, B-35303, B-354, B-357, B-3571, B-3574, B3579, B4353, B-4354 |



B-4221 ConturaSeries™ SURFACE MOUNTED SEAT-COVER DISPENSER



Satin-finish stainless steel. Dispenses 250 single- or half-fold toilet seat covers. Fills from bottom. Unit 15 3/4" W, 11 1/4" H, 2 1/16" D (400 x 285 x 55mm). Av. Mtg. Ht.: 45-49" (1145-1500mm) to top of unit, Barrier-Free, 30-45" (760-1145mm). Patented.



B-301 ClassicSeries™ RECESSED SEAT-COVER DISPENSER



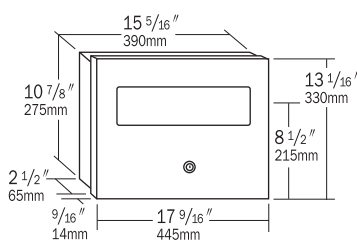
Satin-finish stainless steel. Seamless beveled flange. Dispenses 500 toilet seat covers. Rough Wall Opening: 15 5/8" W, 11" H, 2 5/8" min. depth (395 x 285 x 67mm). Av. Mtg. Ht.: 60" (1525mm) to top of unit; Barrier-Free, 49" (1245mm).



B-221 ClassicSeries™ SURFACE MOUNTED SEAT-COVER DISPENSER



Satin-finish stainless steel. Dispenses 250 single- or half-fold toilet seat covers. Fills from bottom. Unit 15 3/4" W, 11" H, 2" D (400 x 280 x 50mm). Av. Mtg. Ht.: 45-49" (1145-1500mm) to top of unit, Barrier-Free, 30-45" (760-1145mm).



B-3013 TrimLineSeries™ RECESSED SEAT-COVER DISPENSER



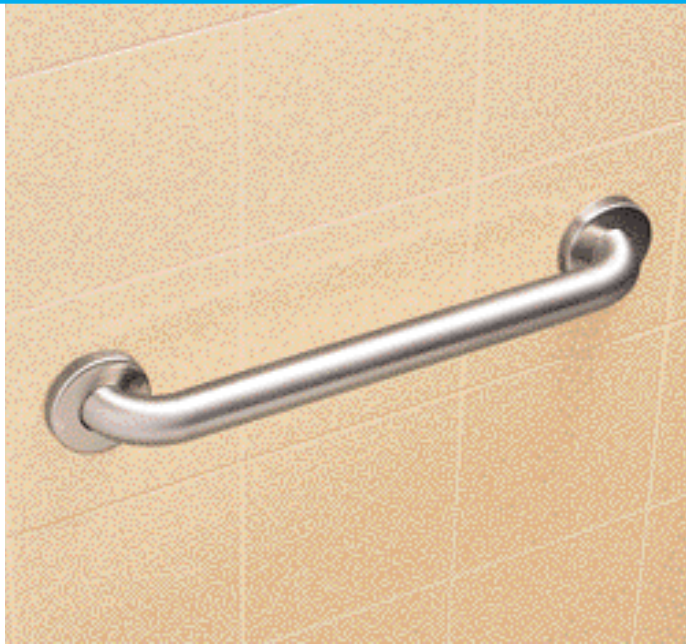
Satin-finish stainless steel. Door has 90° return, conceals flange. Dispenses 500 toilet seat covers. Rough Wall Opening: 15 5/8" W, 11 1/4" H, 2 3/4" min. depth (395 x 285 x 70mm). Av. Mtg. Ht.: 60" (1525mm) to top of unit; Barrier-Free, 49" (1245mm).



B-5221 MatrixSeries™ SURFACE MOUNTED SEAT-COVER DISPENSER



Durable ABS plastic; grey color. Dispenses 250 single- or half-fold toilet seat covers. Fills from bottom. Unit 16 1/8" W, 11 1/2" H, 2 1/2" D (410 x 290 x 65mm). Av. Mtg. Ht.: 45-49" (1145-1500mm) to top of unit, Barrier-Free, 30-45" (760-1145mm). Patented.



CONFIGURATIONS, DIMENSIONS, FINISHES:



1 1/2" (38MM) DIA. STRAIGHT/SATIN

- B-6806x12" (305mm)
- ⚡ B-6806x18" (455mm)
- ⚡ B-6806x24" (610mm)
- ⚡ B-6806x30" (760mm)
- ⚡ B-6806x36" (915mm)
- ⚡ B-6806x42" (1065mm)
- ⚡ B-6806x48" (1220mm)

1 1/2" (38MM) DIA. STRAIGHT/PEENED

- B-6806.99x18" (455mm)
- ⚡ B-6806.99x24" (610mm)
- ⚡ B-6806.99x30" (760mm)
- ⚡ B-6806.99x36" (915mm)
- ⚡ B-6806.99x42" (1065mm)
- ⚡ B-6806.99x48" (1220mm)



1 1/4" (32MM) DIA. STRAIGHT/SATIN

- B-5806x12" (305mm)
- B-5806x18" (455mm)
- ⚡ B-5806x24" (610mm)
- ⚡ B-5806x30" (760mm)
- ⚡ B-5806x36" (915mm)
- ⚡ B-5806x42" (1065mm)
- ⚡ B-5806x48" (1220mm)

1 1/4" (32MM) DIA. STRAIGHT/PEENED

- B-5806.99x12" (305mm)
- B-5806.99x18" (455mm)
- ⚡ B-5806.99x24" (610mm)
- B-5806.99x30" (760mm)
- ⚡ B-5806.99x36" (915mm)
- ⚡ B-5806.99x42" (1065mm)
- B-5806.99x48" (1220mm)

CONCEALED MOUNTING WITH SNAP FLANGE

- Constructed of 18-gauge (1.2mm), type 304 satin-finish stainless steel tubing in 1 1/4" and 1 1/2" (32 and 38mm) diameters.
- Concealed mounting flange 1/8" (3mm) thick, type 304 stainless steel plate, 2" W x 3 1/8" H (50 x 80mm), with screw holes for concealed anchors.
- Cover is 22-gauge (0.8mm), type 304 stainless steel with satin finish, 3 1/4" (85mm) diameter.
- Cover snaps over mounting flange to conceal screws.
- Peened nonslip gripping surface available.



| SERIES | DIAMETER | FINISH* |
|---------|---------------|--------------|
| B-6806* | 1 1/2" (38mm) | Satin Finish |
| B-5806* | 1 1/4" (32mm) | Satin Finish |

*Peened nonslip gripping surface available. Add suffix .99 to model number.



TWO-WALL TUB/SHOWER TOILET COMPT.

- 24" W x 36" D (61 x 91cm)
- 1 1/2" (38mm) Dia.
- B-68616 Satin
- B-68616.99 Peened
- 1 1/4" (32mm) Dia.
- B-58616 Satin
- B-58616.99 Peened



TWO-WALL TUB/SHOWER TOILET COMPT.

- 36" W x 54" D (91 x 137cm)
- 1 1/2" (38mm) Dia.
- ⚡ B-68137 Satin
- B-68137.99 Peened
- 1 1/4" (32mm) Dia.
- B-5837 Satin
- B-5837.99 Peened



- SWING UP**
- 29" (74cm) Patented
- 1 1/4" (32mm) Dia.
- B-4998 Satin
- B-4998.99 Peened



- TWO-WALL SHOWER**
- 15 7/8" W x 30 7/8" D (40 x 78cm)
- 1 1/2" (38mm) Dia.
- ⚡ B-6861 Satin
- B-6861.99 Peened

GRAB BAR BARRIER-FREE WASHROOM GUIDELINES:

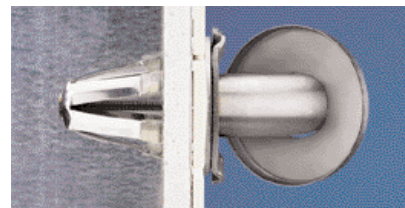
Diameter of grab bars should be 1 1/4" to 1 1/2" (32–38mm) with 1 1/2" (38mm) clearance from the wall. Grab bars should not rotate in their fittings. The required mounting height is universally 33" to 36" (840–915mm) from the centerline of the grab bar to the finish floor. The structural strength of all grab bars and their mounting devices should withstand more than 250 pounds of force (1112 N). For all Barrier-Free toilet compartments, individual toilet rooms and guest bathrooms, it is recommended that a 36" (915mm) minimum horizontal grab bar be installed on the back wall over the toilet and a 42" (1065mm) minimum horizontal grab bar be installed on the side wall or partition nearest the toilet. This can also be accomplished with a single horizontal two-wall grab bar.

OPTIONAL MOUNTING KITS

Order one per flange. Part No. ⚡252-30 (3) sheet-metal screws; 2521-30 (3) machine screws with toggle nuts; 2522-30 (3) machine screws with expansion shields.

OPTIONAL ANCHOR DEVICES

Part No. 2581 and 2583 anchors for 3/4" to 1" (19–25mm) panels (order one per flange).



⚡251-4 WingIt™ GRAB BAR FASTENER

For 2 1/2" and 3 1/2" (65 and 90mm) or deeper hollow walls with finished wall surfaces 1/4" to 1 1/2" (6 to 38mm) thick. One fastener required for each flange. Corrosion-resistant stainless steel. Patented.



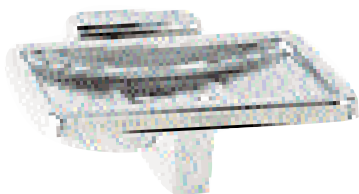
Install grab bars without backing. No need to open and reconstruct walls. WingIt Grab Bar Fastening System secures all Bobrick Grab Bar Series. For walls with a minimum of 5/8" (16mm) thick painted or tiled drywall. Can also be used on 1/2" (13mm) thick drywall with added finished wall material. The fastener will support 300-lb (136-kg) load exceeding all building code and governmental agency guidelines including ADAAG in the United States.

WingIt™ is a trademark of WingIt Innovations, LLC.



B-7681 SURFACE-MOUNTED SOAP DISH AND BAR

Bright polished stainless steel. Drawn, one-piece soap dish welded to support arm and flange. Two ridges hold soap; two drain holes. $\frac{3}{4}$ " (19mm) square bar 8 $\frac{1}{2}$ " (215mm) long. Unit 12" W, 2" H (305 x 50mm); projects 3 $\frac{3}{8}$ " (85mm) from wall.



B-7680 ClassicSeries™ SURFACE-MOUNTED SOAP DISH

Bright polished stainless steel. Drawn, one-piece soap dish welded to support arm and flange. Two ridges hold soap; two drain holes. Unit 4 $\frac{1}{4}$ " W, 2" H (110 x 50mm); projects 4 $\frac{1}{8}$ " (105mm) from wall.

B-76807 Similar to B-7680, but with satin finish.

B-680 SOAP DISH Similar to B-7680, but unit 4 $\frac{1}{2}$ " W, 2" H (115 x 50mm); projects 3 $\frac{3}{8}$ " (85mm) from wall.

B-6807 Similar to B-680, but with satin finish.



B-973 VANDAL-RESISTANT SURFACE-MOUNTED SOAP DISH

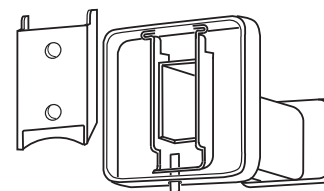
Extra-heavy, chrome-plated cast bronze. Bright polished finish. All edges are rounded for safety. Raised center and drainage holes. Furnished with tamper resistant mounting screws. Unit 5" W, 1 $\frac{3}{8}$ " H, 3" D (125 x 45 x 75mm).



B-7679 ClassicSeries™ SURFACE-MOUNTED TOOTHBRUSH AND TUMBLER HOLDER

Bright polished stainless steel. Drawn, one-piece holder welded to support arm and flange. 2 $\frac{3}{8}$ " (60mm) diameter hole in center of unit to hold tumbler. Accommodates six toothbrushes, three on each side. Unit 4 $\frac{1}{4}$ " W, 2" H (110 x 50mm); projects 4 $\frac{1}{8}$ " (105mm) from wall.

B-76797 Similar to B-7679, but with satin finish.



CONCEALED MOUNTING BRACKET

Unique 2-piece mounting system. Concealed mounting bracket of 18-gauge (1.2mm) stainless steel, welded inside each flange, mounts on 19-gauge (1.0mm) stainless steel wall plate. Includes a stainless steel locking setscrew on bottom.



B-687 SURFACE-MOUNTED DOOR BUMPER

Bright polished stainless steel. Flange is 2" x 2" (50 x 50mm). Black nylon post with black neoprene bumper. Projects 2 1/8" (55mm) from wall.



B-7673 ClassicSeries™ SURFACE-MOUNTED TOWEL BAR

Bright polished stainless steel. 3/4" (19mm) square towel bar. Available in 18" and 24" lengths (455, 610mm). Projects 3 1/4" (85mm) from wall.

B-76737 Similar to B-7673, but with satin finish.

B-673 SURFACE-MOUNTED TOWEL BAR Similar to B-7673. Available in 18" and 24" lengths (455, 610mm).

B-6737 Similar to B-673, but with satin finish. 24" length (610mm).



B-683 SURFACE-MOUNTED TOILETRY SHELF

Bright polished stainless steel. 24" length (610mm). Shelf 4 3/4" (120mm) wide, projects 5 3/4" (145mm) from wall. Edges are roll-formed for safety.



B-7674 ClassicSeries™ SURFACE-MOUNTED TOWEL BAR

Bright polished stainless steel. Round 3/4" (19mm) diameter towel bar. Available in 18" and 24" lengths (455, 610mm). Projects 3 1/4" (85mm).

B-76747 Similar to B-7674, but with satin finish.

B-674 SURFACE-MOUNTED TOWEL BAR Similar to B-7674. Available in 18" and 24" lengths (455, 610mm).

B-6747 Similar to B-674, but with satin finish. 24" length (610mm).



B-7676 ClassicSeries™ SURFACE-MOUNTED TOWEL SHELF WITH TOWEL BAR

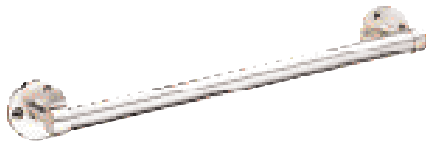
Bright polished stainless steel. Shelf 6 1/4" (160mm) wide, consists of four 3/8" (10mm) round tubes mounted in support arms. 1/4" (6mm) round towel bar below shelf. 24" length (610mm). Overall height is 4 1/4" (110mm). Projects 8 1/4" (210mm) from wall.

B-76767 Similar to B-7676, but with satin finish.

B-676 SURFACE-MOUNTED TOWEL SHELF WITH TOWEL BAR Similar to B-7676. Shelf 6 1/4" (160mm) wide, consists of four 5/16" (8mm) square tubes. 5/16" (8mm) square towel bar below shelf. 24" length (610mm). Projects 8 1/2" (215mm) from wall.

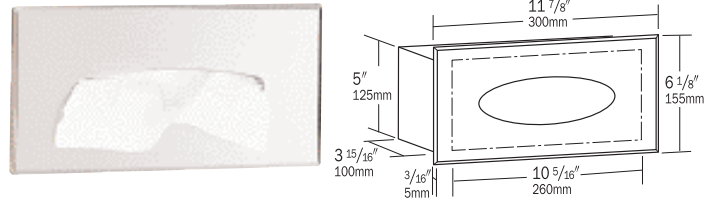
SURFACE-MOUNTED BATHROOM ACCESSORIES BARRIER-FREE GUIDELINES:

It is recommended that surface-mounted bathroom accessories be mounted 38" to 48" (965–1220mm) above the finish floor. Soap dishes should be placed on the same wall as the shower head and controls where they are least likely to collect standing water. Over bathtubs, soap dishes should be mounted between the grab bar and the rim of bathtubs.



B-205 HEAVY-DUTY SURFACE-MOUNTED TOWEL BAR

1" (25mm) dia. bar is 20-gauge (0.9mm), type 304 stainless steel, satin finish. Support posts are heavy brass with satin chrome finish. Flanges are 2 3/4" (70mm) diameter. Withstands more than 250-lb (113-kg) downward pull when properly installed. Bar cannot turn in posts. Available in 18" and 24" lengths (455, 610mm).



B-355 RECESSED FACIAL 300-TISSUE DISPENSER

Dispenses 300 two-ply facial tissues. Faceplate type 304 stainless steel, satin finish. Galvanized-steel mounting cabinet. Unit 11 7/8" W, 6 1/8" H, 4" D (300 x 155 x 100mm). Rough Wall Opening: 10 3/4" W, 5 1/4" H, 4" min. depth (275 x 135 x 100mm).

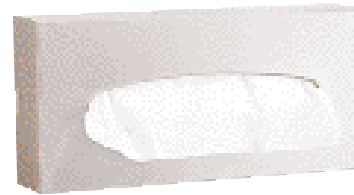
B-3552 RECESSED FACIAL 100-TISSUE DISPENSER

Dispenses one pack of 100 two-ply facial tissues. Faceplate type 304 stainless steel, satin finish. Galvanized-steel mounting cabinet. Unit 11 7/8" W, 6 1/8" H, 2 1/4" D (300 x 155 x 55mm). Rough Wall Opening: 10 3/4" W, 5 1/4" H, 2 3/8" min. depth (275 x 135 x 60mm).



B-530 EXTRA-HEAVY-DUTY SURFACE-MOUNTED TOWEL BAR

For use in hospital and hotel bathrooms. 1" (25mm) diameter bar is 18-gauge (1.2mm), type 304 stainless steel, satin finish. Concealed mounting with snap flange. Withstands 900-lb (408-kg) downward pull when properly installed. Available in 18" and 24" lengths (455, 610mm).



B-8397 SURFACE-MOUNTED FACIAL 100-TISSUE DISPENSER

Dispenses one pack of 100 two-ply facial tissues. Cabinet type 304 stainless steel, satin finish. Equipped with concealed locking device; opens with key provided. Concealed wall plate is 22-gauge (0.8mm), type 304 stainless steel. Unit 10 1/4" W, 5 3/16" H, 2 1/4" D (260 x 130 x 55mm).



B-550 EXTRA-HEAVY-DUTY SURFACE-MOUNTED TOWEL BAR

1 1/4" (30mm) dia. bar has peened grip with bright polished ends and flanges. 18-gauge (1.2mm), type 304 stainless steel. Concealed mounting with snap flange. Withstands 900-lb (408-kg) downward pull when properly installed. Available in 24", 36", and 42" (610, 915, 1065mm) lengths.

DESIGNER'S NOTE:

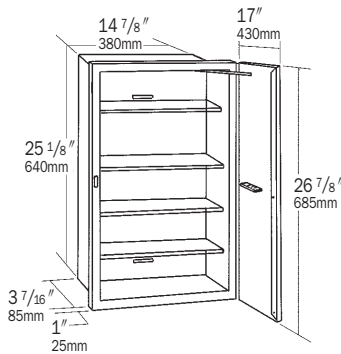
For added safety in hospital and hotel bathrooms, grab bars are recommended for use as towel bars.

PRICE INDEX:

| | |
|--------------------|------------|
| 600 SERIES | 2.5 |
| 7600 SERIES | 1.0 |



B-398



Unit combines adjustable shelves, mirror, used razor blade slot, and toothbrush holder.

B-398 RECESSED MEDICINE CABINET



Type 304 stainless steel, satin finish. Mirror: No. 1 quality, 1/4" (6mm) glass electrolytically copper-plated. 15-year guarantee against silver spoilage. Door has full-length stainless steel piano-hinge, magnetic catch and cable doorstop. Four adjustable stainless steel shelves. Cabinet may be inverted for right- or left-hand door swing. Rough Wall Opening: 15 1/4" W, 25 1/2" H, 3 5/8" min. depth (385 x 650 x 90mm). Av. Mtg. Ht.: 74" (1880mm) to top of unit; Barrier-Free, 66 1/2" (1690mm).

B-299 Surface-Mounted Medicine Cabinet Similar to B-398. Unit 17" W, 26 7/8" H, 5" D (430 x 685 x 130mm).

B-397 RECESSED MEDICINE CABINET



All-steel cabinet with baked white enamel finish. Three adjustable plastic shelves. Mirror: No. 1 quality, 1/4" (6mm) glass electrolytically copper-plated. Door has enameled steel piano-hinge and magnetic catch. Door is 15 1/2" W, 25 7/8" H (405 x 655mm). Rough Wall Opening: 14" W, 23 5/8" H, 3 1/2" min. depth (355 x 600 x 90mm). Av. Mtg. Ht.: 73" (1855mm) to top of unit; Barrier-Free, 65 1/2" (1665mm).

B-297 SURFACE-MOUNTED MEDICINE CABINET



All-steel cabinet and two fixed shelves with baked white enamel finish. Mirror: No. 1 quality, 1/8" (3mm) glass electrolytically copper-plated. Door has enameled steel piano-hinge and magnetic catch. Door is 14 1/8" W, 20 1/4" H (360 x 515mm). Unit 3 3/4" (95mm) deep. Av. Mtg. Ht.: 69" (1755mm) to top of unit; Barrier-Free, 60" (1525mm).

2 1/2" (65mm) Square Flange for B-6047 and B-6107



B-6047 ClassicSeries™ EXTRA HEAVY-DUTY SHOWER CURTAIN ROD



Type 304 stainless steel, satin finish. 18-gauge (1.2mm), 1 1/4" (32mm) diameter rod. Flanges are 2 1/2" (65mm) square. Available in 36" (915mm), 48" (1220mm), 60" (1525mm), 72" (1830mm) lengths.

B-6107 ClassicSeries™ HEAVY-DUTY SHOWER CURTAIN ROD



Similar to B-6047, but with 20-gauge (1.0mm), 1" (25mm) diameter rod. Available in 36" (915mm), 48" (1220mm), 60" (1525mm), 72" (1830mm) lengths.



B-207 SHOWER CURTAIN ROD WITH CONCEALED MOUNTING

1" (25mm) diameter rod is 20-gauge (1.0mm), type 304 stainless steel, satin finish. 1 3/8" (35mm) diameter flanges are chrome-plated plastic, bright polished finish; mount on concealed wall brackets. Available in 36" (915mm), 48" (1220mm), 60" (1525mm), 72" (1830mm) lengths.



204-2 VINYL SHOWER CURTAIN



Opaque, matte white vinyl, 0.008" (0.2mm) thick, contains anti-bacterial and flame-retardant agents. Nickel-plated brass grommets along top, one every 6" (150mm). Bottom and sides are hemmed. Hooks are not included. Curtain 42" W, 72" H (1065 x 1830mm). Requires 7 hooks.

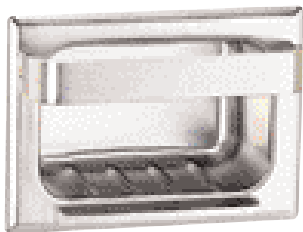
204-3 Similar to 204-2, but curtain is 70" W, 72" H (1780 x 1830mm). Requires 12 hooks.



204-1 SHOWER CURTAIN HOOK Type 304 stainless steel for use on 1" and 1 1/4" (25 and 32mm) diameter shower curtain rods.

MEDICINE CABINET BARRIER-FREE BATHROOM GUIDELINES:

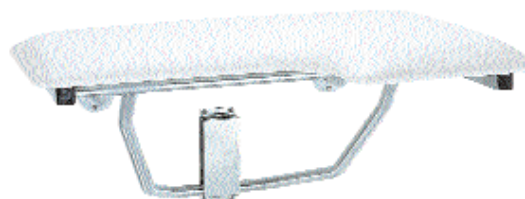
Units should be mounted so the bottom edge of the reflective surface is no higher than 40" (1015mm) above the finish floor and at least one accessible shelf is no higher than 44" (1120mm) above the finish floor.



B-4390 RECESSED HEAVY-DUTY SOAP DISH AND BAR 

Type 304 stainless steel, matte polished finish. Mounting clamp for stud walls. Unit 7 3/16" W, 5" H (185 x 125mm). Rough Wall Opening: 6" W, 4" H, 4" min. depth (150 x 100 x 100mm). Barrier-Free Mtg. Ht.: 38-48" (965-1220mm) above the finish floor on same wall as shower head.

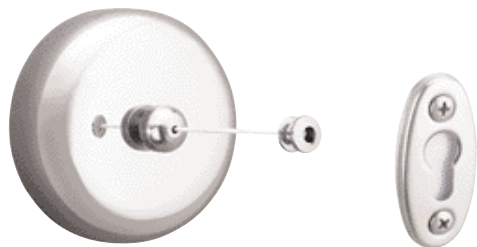
B-4380 Similar to B-4390, but without bar.



B-518 FOLDING SHOWER SEAT  

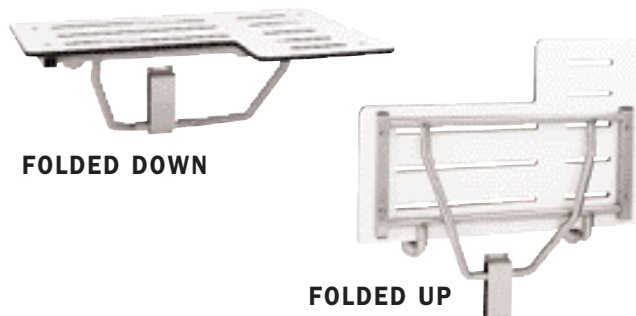
Complies with ADA Barrier-Free accessibility guidelines. Foam-padded, white, water-resistant Naugahyde seat 1 1/2" (38mm) thick, with enclosed 1/2" (13mm) plywood base. Frame and mounting brackets are type 304 stainless steel and feature self-locking mechanism. Supports up to 400-lb (181-kg) when properly installed. Seat 32 7/8" (835mm) wide, projects 22 11/16" (575mm) from wall. Universal/Barrier-Free Mtg. Ht.: 17-20" (430-510mm) from top of seat to floor. Left-hand seat.

B-517 Similar to B-518, but with right-hand seat.



B-7636 ClassicSeries™ SURFACE-MOUNTED RETRACTABLE CLOTHESLINE 

Installs over bathtub or in shower. 10-ft (305cm) clothesline pulls out for convenient use; retracts neatly out of way. Locking knob on cover secures line. Retainer bracket mounts on opposite wall to secure clothesline. Cover and retainer bracket are bright polished stainless steel. Unit 3 5/8" (90mm) diameter; projects 1 5/32" (30mm) from wall. Av. Mtg Ht: 70" (1780mm) to top of unit; Barrier-Free 38-48" (965-1220mm).



B-5181 REVERSIBLE FOLDING SHOWER SEAT   

Complies with ADA Barrier-Free accessibility guidelines. Seat is constructed of durable, water-resistant, ivory-colored 1/2" (13mm) thick solid phenolic. Reversible for left- or right-hand field installation. Frame and mounting brackets are type 304 stainless steel with self-locking mechanism. Supports up to 400-lb (181-kg) when properly installed. Seat 33" (840mm) wide, projects 22 5/16" (565mm) from wall. Universal/Barrier-Free Mtg. Ht.: 17-20" (430-510mm) from top of seat to floor. Left-hand seat shown.

SHOWER SEAT BARRIER-FREE BATHROOM GUIDELINES:

L-shaped folding shower seats are required in accessible 36" x 36" (915 x 915mm) shower stalls. They should be mounted on the wall opposite controls with top surface of seat 17" to 19" (430-485mm) above the finish floor. Seat should have no more than 1 1/2" (38mm) clearance from walls and should extend the depth of shower stall, allowing space for shower curtain at front of stall. Wide section of L-shaped seat should project no more than 23" (585mm) from wall; the narrow section, no more than 16" (405mm) from wall. If shower seat is provided in 30" x 60" (760 x 1525mm) minimum shower stall, it should be folding type and mounted on the wall adjacent to controls. Structural strength of shower seats and their mounting devices should withstand more than 250 pounds of force (1112 N).

DESIGNER'S NOTE:

Solid phenolic seats available in other colors on special order. See Bobrick Solid Phenolic Color Guide.



B-5191 FOLDING SHOWER/DRESSING AREA SEAT   

Compact design. Seat is constructed of durable, water-resistant, ivory-colored, 5/16" (8mm) thick solid phenolic. Frame and mounting bracket are type 304 stainless steel and feature self-locking mechanism. Supports up to 500-lb (227-kg) when properly installed. Seat 18" (455mm) wide, projects 15 13/16" (400mm) from wall. Universal/Barrier-Free Mtg. Ht.: 17-20" (430-510mm) from top of seat to floor.



B-7672 ClassicSeries™ DOUBLE ROBE HOOK 

Bright polished stainless steel. Contoured 4" (100mm) wide bar forms hook at each end. Flange is 2" x 2" (50 x 50mm). Projects 1 7/8" (50mm) from wall.

B-76727 Similar to B-7672, but with satin finish.

B-672 DOUBLE ROBE HOOK Similar to B-7672, but projects 2 5/16" (60mm) from wall. 

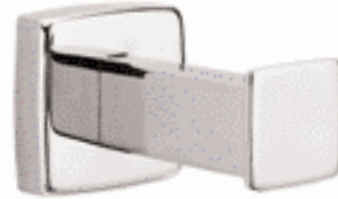
B-6727 Similar to B-672, but with satin finish.



B-670 UTILITY HOOK 

Bright polished stainless steel. For robes, shoe-shine cloth, and sanitary napkin disposal bag. Flange is 2" x 2" (50 x 50mm). Hook 1/2" (13mm) wide, projects 2" (50mm) from wall.

B-6707 Similar to B-670, but with satin finish.



B-677 TOWEL PIN 

Bright polished stainless steel. Flange is 2" x 2" (50 x 50mm). Projects 3 3/8" (85mm) from wall.

B-6777 Similar to B-677, but with satin finish.



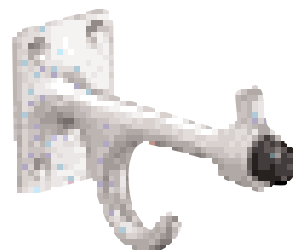
B-7671 ClassicSeries™ SINGLE ROBE HOOK 

Bright polished stainless steel. Flange is 2" x 2" (50 x 50mm). Projects 1 5/8" (40mm) from wall.

B-76717 Similar to B-7671, but with satin finish.

B-671 SINGLE ROBE HOOK Similar to B-7671, but flange projects 2" (50mm) from wall. 

B-6717 Similar to B-671, but with satin finish.



B-212 CLOTHES HOOK AND BUMPER 

Solid aluminum casting, matte finish. Rubber bumper protects wall or partition surfaces. Flange is 1 1/2" W, 2" H (40 x 50mm). Unit projects 3 3/4" (95mm).



⚡B-233 CLOTHES HOOK



11-gauge (3.2mm), type 304 stainless steel, satin finish. Hook is 1 1/4" x 1 1/4" (30 x 30mm) and projects 1 1/8" (30mm) from wall. Unit is 2 1/4" (55mm) high.

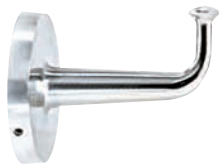


B-7682 HAT AND COAT HOOK

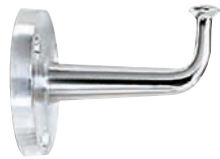


Bright polished stainless steel. Flange is 2" x 2" (50 x 50mm). Hook is 1" W, 7 1/16" H (25 x 180mm); projects 2 3/4" (70mm) from wall. Concealed wall plate.

B-76827 Similar to B-7682, but with satin finish.



B-2116



B-211

⚡B-2116 HEAVY-DUTY CLOTHES HOOK WITH CONCEALED MOUNTING



Locks to wall plate with three stainless steel setscrews for theft-resistant mounting. Hook and flange are one-piece brass casting with satin nickel-plated finish to match stainless steel. Withstands 300-lb (136-kg) downward pull. Flange diameter: 2 3/4" (70mm). Unit projects 3 7/16" (85mm).

⚡B-211 Similar to B-2116, but with three exposed countersunk mounting screw holes.



B-983 VANDAL-RESISTANT CLOTHES HOOK (SECURED FROM FRONT)



Type 304 satin-finish stainless steel. Back plate is 14-gauge (2mm). Hook snaps down for safety if excessively loaded. Back plate 4" W, 4" H, 7/8" D (100 x 100 x 20mm). Hook projects 1 1/4" (30mm) from back plate. Furnished with tamper-resistant mounting screws. Patented.



⚡B-682 HAT AND COAT HOOK




Bright polished stainless steel. Flange is 2" x 2" (50 x 50mm). Hook is 1" W, 6 1/2" H (25 x 165mm); projects 3 1/16" (80mm) from wall. Concealed wall plate.

⚡B-6827 Similar to B-682, but with satin finish.

CLOTHES HOOK BARRIER-FREE BATHROOM GUIDELINES:

It is recommended that surface-mounted hooks, hook strips and shelves be mounted 38" to 40" (965-1220mm) above the finish floor.



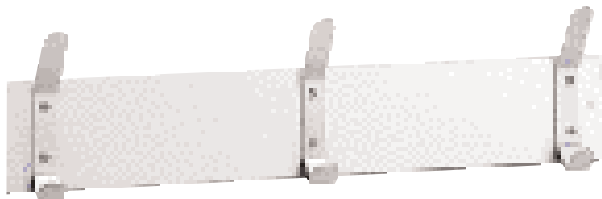
B-981 VANDAL-RESISTANT CLOTHES HOOK 
 For budget installations. 12-gauge (2.7mm), type 304 stainless steel bracket with 7-gauge (4.5mm) stainless steel hook. Hook pivots down for safety if excessively loaded. Hook tension adjustable. Furnished with tamper-resistant mounting screws. Hook 4 5/16" H, 1" W (110 x 25mm); projects 3" (75mm) from wall.




B-295 STAINLESS STEEL SHELF
 5" (125mm) wide, 18-gauge (1.2mm), type 304 stainless steel, satin finish. 3/4" (19mm) return edge; front edge is hemmed for safety. Brackets are 16-gauge (1.6mm). Available in one-piece lengths: ~~16"~~, ~~18"~~, ~~24"~~, 36" (405, 455, 610, 915mm).

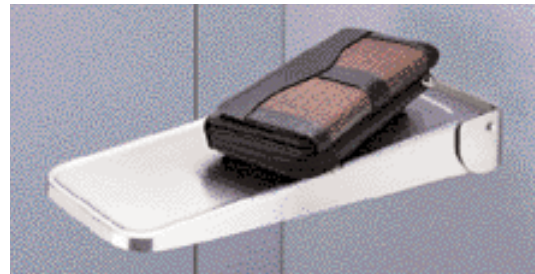
B-296 Similar to B-295, but shelf is 6" (150mm) wide, 18", 24" (455, 610mm) lengths.

B-298 Similar to B-295, but shelf is 8" (205mm) wide, 18", 24", 36" (455, 610, 915mm) lengths.




B-232 HOOK STRIP 
 Type 304 stainless steel, satin finish. Hooks are 1" W, 6 1/2" H (25 x 165mm); project 2 1/4" (55mm) from wall. Mounting strip is 4" (100mm) high and has 1/4" (6mm) return.

| MODEL NO. | NO. HOOKS | LENGTH |
|---------------------|-----------|-------------|
| B-232x24 | 3 | 24" (610mm) |
| B-232x36 | 4 | 36" (915mm) |



B-287 FOLDING UTILITY SHELF
 Easily installed on toilet partition or wall. Type 304 stainless steel, satin finish. Pull-down shelf returns to upright position when not in use. Shelf 14 1/2" long, 5 3/4" wide (370 x 145mm).



B-985 VANDAL-RESISTANT HOOK STRIP 
 Back plate is 14-gauge (2mm), type 304, satin-finish stainless steel. Four stainless steel hooks snap down for safety if excessively loaded. Furnished with tamper-resistant mounting screws. Unit 18" W, 5 1/2" H, 7/8" D (455 x 140 x 20mm). Hooks project 1 1/4" (30mm) from back plate. Patented.



B-223 MOP AND BROOM HOLDER
 Type 304 stainless steel, satin finish. Anti-slip mop holders have spring-loaded rubber cam that grips handles 7/8" to 1 1/4" (20-30mm) diameter. Holds mops 3 1/4" (85mm) from wall. Height 5" (125mm).

| MODEL NO. | NO. HOLDERS | LENGTH |
|---------------------|-------------|-------------|
| B-223x24 | 3 | 24" (610mm) |
| B-223x30 | 4 | 30" (760mm) |
| B-223x36 | 4 | 36" (915mm) |



B-224 SHELF WITH MOP AND BROOM HOLDERS AND RAG HOOKS

Shelf is 18-gauge (1.2mm), type 304 stainless steel, satin finish; 36" Long, 6" H, 8" D (915 x 150 x 205mm). Four anti-slip mop holders have spring-loaded rubber cam that grips handles 7/8" to 1 1/4" (20-30mm) diameter. Holds mops 8" (205mm) from wall. Three stainless steel rag hooks. Rod for wet rags below shelf.



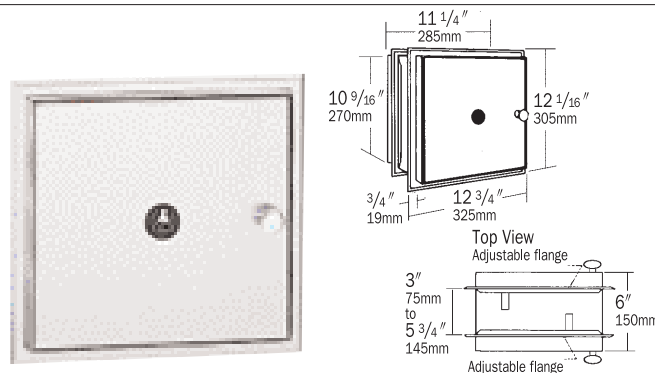
B-633 STAINLESS STEEL CORNER GUARDS

Eliminate expensive maintenance work. 18-gauge (1.2mm), type 304 stainless steel, satin finish. No sharp edges. Furnished with adhesive mounting for easy permanent installation. Unit 3 1/2" x 3 1/2" (90 x 90mm); 48" (1220mm) long.



B-239 SHELF WITH MOP AND BROOM HOLDERS AND HOOKS

Shelf is 18-gauge (1.2mm), type 304 stainless steel, satin finish; 34" Long, 13" H, 8" D (865 x 330 x 205mm). Three anti-slip mop holders have spring-loaded rubber cam that grips handles 1/8" to 1 1/4" (20-30mm) dia. Four stainless steel hooks.



B-505 RECESSED SPECIMEN PASS-THRU CABINET

Provides convenient passage for specimen from patient area to laboratory. Mounts in walls 3" to 5 3/4" (75-145mm) thick. Type 304 stainless steel, satin finish. Self-closing doors. Interlocking mechanism prevents both doors from being open at the same time; provides sight barrier. Removable stainless steel tray. Rough Wall Opening: 11 1/2" W, 10 7/8" H (290 x 275mm); 3" to 5 3/4" (75-145mm) thick.

DESIGNER'S NOTE:

Models B-295, B-296 and B-298 stainless steel shelves are available on special order in lengths up to 28 ft (853cm). Shelves longer than 8 ft (244cm) are furnished in multiple sections. 10" and 12" (255 and 305mm) wide shelves are also available on special order. Contact your Bobrick Representative for full details.



B-235 SURFACE-MOUNTED PAPER CUP DISPENSER



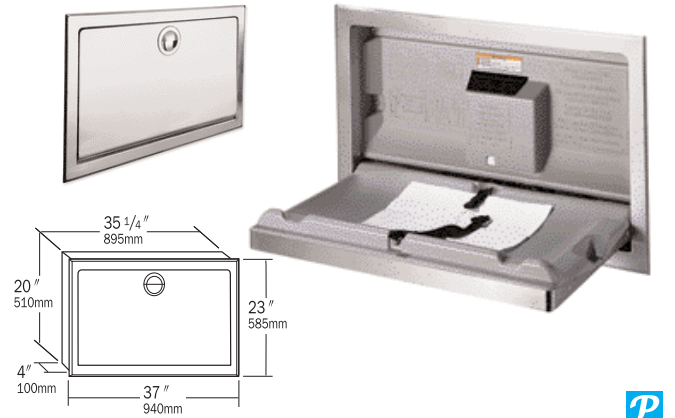
Satin-finish stainless steel. Dispenses 150 3-oz (0.1-L) cups. Also adjusts to dispense up to 6-oz (0.2-L) cups. Tumbler lock on top and stainless steel piano-hinge on bottom. Cabinet swings down for easy filling. Slot on front indicates refill time. Unit 3 1/4" W, 14 1/2" H, 3 1/4" D (85 x 370 x 85mm). Universal/Barrier-Free Mtg. Ht.: 52 1/2-58 1/2" (1335-1485mm) to top.



MICROBAN® ANTIMICROBIAL PRODUCT PROTECTION: A KOALA BABY CHANGING STATION EXCLUSIVE.

Microban technology is built into Koala Baby Changing Stations and becomes an intrinsic part of the Station. When microbes, such as bacteria, mold and mildew that can cause stains, odors and product deterioration come into contact with the station surface, Microban protection penetrates the cell wall of the microbe and disrupts key cell functions so that the microbe cannot function, grow or reproduce. Microban ensures Koala Baby Changing Stations retain their sanitary condition between cleanings. Please see Microban Technical Bulletin, TB-12.

Microban® is a registered trademark of Microban Products Company.



KB110-SSRE HORIZONTAL, RECESSED MOUNTED

18-gauge, type 304 satin stainless steel exterior finish with molded grey polyethylene interior. Unit 37" W x 23" H (940 x 585mm). Depth (closed) 3/4" (20mm). Extension (open) 15 1/4" (385mm). Rough Wall Opening: 35 1/2" W x 20 1/2" H (900 x 520mm), 4" (100mm) min. depth. Patented.

DESIGNER'S NOTES:

1. Full-length steel-on-steel hinges with 11-gauge steel mounting supports.
2. Complies with ANSI S117.1 Accessible and Usable Buildings and Facilities, ASTM F2285-04 (formerly ASTM PS125) Standard Consumer Safety Performance Specification for Diaper Changing Tables for Commercial Use, ANSI Z535.4 Product Safety Signs and Labels, German TUV Technical Inspection Association, ASTM G21. Antifungal and ASTM G22 Antibacterial Standards, ADA Accessibility Standards for height, reach, projection, operation, overlap wheelchair turning radius.
3. Changing surface is smooth and concave providing both comfort for the baby as well as maintenance cost containment with the absence of pinch points, crevices and other dust and dirt collection areas.
4. Constructed of high-density polyethylene with exclusive Microban® antimicrobial product protection.
5. Replaceable nylon safety straps, hooks for bags and purses.
6. All Baby Changing Station models equipped with built-in Sanitary Bed Liner Dispensers.

BABY CHANGING STATION AND CHILD PROTECTION SEAT BARRIER-FREE WASHROOM GUIDELINES:

Baby Changing Stations and Child Protection Seats shall be installed with top of unit no more than 48" (1220mm), and changing bed or seat no more than 34" (865mm) above finish floor. Units shall operate (open and close) with one hand and less than 5 pounds of force (22.2 N). When closed units shall protrude no more than 4" (100mm) from wall.



KB110-SSWM HORIZONTAL, WALL-MOUNTED
18-gauge, type 304 satin stainless steel exterior finish with molded grey polyethylene interior. Unit 35 1/4" W, 20" H (890 x 510mm). Depth (closed) 4" (100mm). Extension (open) 19 1/4" (490mm). Patented.



KB102-00 CHILD PROTECTION SEAT, WALL-MOUNTED
Polyethylene seat and back, cream color. Unit 12 1/4" W x 18 3/4" H (310 x 475mm). Depth (closed) 5 5/8" (145mm). Extension (open) 12 1/2" (315mm). Patented.



KB100-00 HORIZONTAL, WALL-MOUNTED **S T**
Polyethylene cabinet and bed, cream color. Unit 35 1/4" W x 20" H (895 x 510mm). Depth (closed) 4" (100mm). Extension (open) 19 1/4" (490mm). Patented.



KB150-99 SANITARY BED LINERS
Large 13" W x 19" H (330 x 485mm), 3-ply biodegradable, 500 liners per case.



KB101-00 VERTICAL, WALL-MOUNTED
Polyethylene cabinet and bed, cream color. Unit 22" W x 35 1/2" H (560 x 900mm). Depth (closed) 5 1/4" (135mm). Extension (open) 35" (890mm). Patented.



NATIONWIDE STUDY PROVES CLEANER, SAFER CHILD ACCOMMODATIONS TURN SMALL CUSTOMERS INTO BIGGER SALES.

Patrons visit family friendly establishments more often and spend more time and money. The major factors are sanitation maintenance, and child safety and comfort. These are the findings of an independent, nationwide study of parents with children conducted as a public service for the architectural, construction and building owner community. Findings have been published in Koala's Research Abstract available to members of the trade on a complimentary basis; telephone Koala Consumer Research (877) 284-4863.

Product Selection Guide

P PRESTIGE BUILDINGS

TOILET PARTITIONS:

- 1040** DesignerSeries™ Plastic Laminate
Toilet Partitions with Concealed Stainless Steel Hardware

GRAB BARS:

- B-5806** Concealed Mounted Grab Bars – 1 ¼" diameter
B-6806 Concealed Mounted Grab Bars – 1 ½" diameter

MIRRORS:

- B-290** Welded-Frame Mirrors

COMBINATION PAPER TOWEL DISPENSERS AND WASTE RECEPTACLES:

- B-4369** ConturaSeries™ Surface-Mounted Paper Towel
Dispenser/Waste Receptacle
B-43944 ConturaSeries Recessed Paper Towel Dispenser/
Waste Receptacle
B-43949 ConturaSeries Surface-Mounted Paper Towel
Dispenser/Waste Receptacle

PAPER TOWEL DISPENSERS:

- B-4262** ConturaSeries Surface-Mounted Paper Towel Dispenser
B-4362 ConturaSeries Recessed Paper Towel Dispenser

WASTE RECEPTACLES:

- B-277** ConturaSeries Surfaced-Mounted Waste Receptacle
B-43644 ConturaSeries Recessed Waste Receptacle

SANITARY NAPKIN/TAMPON VENDORS AND DISPOSALS:

- B-43500** ConturaSeries Recessed Sanitary Napkin/Tampon
Vendor
B-4354 ConturaSeries Recessed Napkin/Tampon Waste
Receptacle
B-270 ConturaSeries Surface-Mounted Napkin/Tampon
Waste Receptacle

TOILET SEAT COVER DISPENSERS:

- B-4221** ConturaSeries Surface-Mounted Seat Cover Dispenser

SOAP DISPENSERS:

- B-4112** ConturaSeries Surface-Mounted Soap Dispenser
B-4063 ConturaSeries Recessed Soap Dispenser
B-822 Lavatory-Mounted Soap Dispenser
B-8221 Lavatory-Mounted Soap Dispenser
B-8226 Lavatory-Mounted Soap Dispenser

TOILET TISSUE DISPENSERS:

- B-4288** ConturaSeries Surface-Mounted Toilet Tissue Dispenser
B-4388 ConturaSeries Recessed Toilet Tissue Dispenser

BABY CHANGING STATIONS:

- KB110-SSRE** Koala Kare Products Horizontal Recessed Baby
Changing Station with Stainless Steel Finish

HAND DRYERS:

- B-740** Eclipse® Surface-Mounted Warm Air Hand Dryer
B-750 AirCraft® Recessed Warm Air Hand Dryer

SHOWER ACCESSORIES:

- B-517** Folding Padded Shower Seat, Right-Hand Seat
B-518 Folding Padded Shower Seat, Left-Hand Seat
B-6107 ClassicSeries™ Heavy-Duty Shower Curtain Rods

S STANDARD USE BUILDINGS

TOILET PARTITIONS:

- 1542** ClassicSeries™ Plastic Laminate Overhead-Braced
Toilet Partitions with Zamak Hardware
1542.64 ClassicSeries Plastic Laminate Overhead-Braced
Toilet Partitions with Stainless Steel Hardware

GRAB BARS:

- B-5806** Concealed Mounted Grab Bars – 1 ¼" diameter
B-6806 Concealed Mounted Grab Bars – 1 ½" diameter

MIRRORS:

- B-165** Channel-Frame Mirrors

COMBINATION PAPER TOWEL DISPENSERS AND WASTE RECEPTACLES:

- B-369** ClassicSeries Recessed Paper Towel Dispenser/
Waste Receptacle
B-3699 ClassicSeries Surface-Mounted Paper Towel Dispenser/
Waste Receptacle
B-3942 ClassicSeries Semi-Recessed Convertible Paper Towel
Dispenser/Waste Receptacle
B-3944 ClassicSeries Recessed Convertible Paper Towel
Dispenser/Waste Receptacle
B-3949 ClassicSeries Surface-Mounted Convertible Paper Towel
Dispense/Waste Receptacle

PAPER TOWEL DISPENSERS:

- B-262** ClassicSeries Surface-Mounted Paper Towel Dispenser
B-2621 ClassicSeries Surface-Mounted Paper Towel Dispenser
B-359 ClassicSeries Recessed Paper Towel Dispenser

WASTE RECEPTACLES:

- B-279** ClassicSeries Surface-Mounted Waste Receptacle
B-3644 ClassicSeries Recessed Waste Receptacle

SANITARY NAPKIN/TAMPON VENDORS AND DISPOSALS:

- B-282 25** ClassicSeries Surface-Mounted Sanitary Napkin/Tampon
Vendor
B-352 25 ClassicSeries Recessed Sanitary Napkin/Tampon Vendor
B-270 Surface-Mounted Sanitary Napkin Disposal

TOILET SEAT COVER DISPENSERS:

- B-221** ClassicSeries Surface-Mounted Seat-Cover Dispenser

SOAP DISPENSERS:

- B-2111** ClassicSeries Surface-Mounted Soap Dispenser
B-2112 ClassicSeries Surface-Mounted Soap Dispenser
B-822 Lavatory-Mounted Soap Dispenser

TOILET TISSUE DISPENSERS:

- B-2888** ClassicSeries Surface-Mounted Multi-Roll Toilet Tissue
Dispenser
B-3888 ClassicSeries Recessed Multi-Roll Toilet Tissue Dispenser
B-386 Partition-Mounted Dual-Sided Toilet Tissue Dispenser

BABY CHANGING STATIONS:

- KB100-00** Koala Kare Products Horizontal Wall-Mounted Baby
Changing Station

HAND DRYERS:

- B-740** Eclipse® Surface-Mounted Warm Air Hand Dryer

SHOWER ACCESSORIES:

- B-5181** Reversible Folding Shower Seat
B-5191 Folding Shower Seat
B-6107 ClassicSeries Heavy-Duty Shower Curtain Rods

Product Selection Guide

T HEAVY TRAFFIC BUILDINGS

TOILET PARTITIONS:

1082/1092 DuraLineSeries®/SierraSeries™ Overhead Braced Toilet Partitions with Stainless Steel Hardware

GRAB BARS:

B-5806 Concealed Mounted Grab Bars – 1 ¼" diameter
B-6806 Concealed Mounted Grab Bars – 1 ½" diameter

MIRRORS:

B-2908 Welded-Frame Mirrors with Tempered Glass

COMBINATION PAPER TOWEL DISPENSERS AND WASTE RECEPTACLES:

B-3961 ClassicSeries™ Recessed Convertible Roll Paper Towel Dispenser/Waste Receptacle

PAPER TOWEL DISPENSERS:

B-2860 Surface-Mounted Roll Paper Towel Dispenser

WASTE RECEPTACLES:

B-2250 Floor Standing Waste Receptacle with Top

SANITARY NAPKIN/TAMPON VENDORS AND DISPOSALS:

B-282 25 ClassicSeries Surface-Mounted Sanitary Napkin/Tampon Vendor
B-352 25 ClassicSeries Recessed Sanitary Napkin/Tampon Vendor
B-254 ClassicSeries Surface-Mounted Sanitary Napkin Disposal
B-353 ClassicSeries Recessed Sanitary Napkin Disposal
B-354 ClassicSeries Partition-Mounted Sanitary Napkin Disposal

TOILET SEAT COVER DISPENSERS:

B-301 ClassicSeries Recessed Seat-Cover Dispenser
B-221 ClassicSeries Surface-Mounted Seat-Cover Dispenser

SOAP DISPENSERS:

B-2112 ClassicSeries Surface-Mounted Soap Dispenser
B-822 Lavatory-Mounted Soap Dispenser
B-830 SureFlo® Soap System

TOILET TISSUE DISPENSERS:

B-2892 ClassicSeries Surface-Mounted Twin Jumbo-Roll Toilet Tissue Dispenser
B-2888 ClassicSeries Surface-Mounted Multi-Roll Toilet Tissue Dispenser
B-3888 ClassicSeries Recessed Multi-Roll Toilet Tissue Dispenser
B-386 Partition-Mounted Dual-Sided Toilet Tissue Dispenser

BABY CHANGING STATIONS:

KB100-00 Koala Kare Products Horizontal Wall-Mounted Baby Changing Station

HAND DRYERS:

B-708 AirGuard™ Surface-Mounted Warm Air Hand Dryer
B-740 Eclipse® Surface-Mounted Warm Air Hand Dryer

SHOWER ACCESSORIES:

B-5181 Reversible Folding Shower Seat
B-5191 Folding Shower Seat
B-6047 ClassicSeries Extra-Heavy-Duty Shower Curtain Rods

PRODUCT WARRANTIES:

The following Bobrick products are warranted to be free from defects in workmanship and material under normal usage from the date of purchase for the periods set forth below. (Rust and discoloration to stainless steel parts resulting from exposure to harsh environmental and/or chemical conditions are not considered to be defects in workmanship or material and there is no express or implied warranty for such condition. Refer to Bobrick Advisory Bulletin TB-21, Effective Ways to Clean Stainless Steel.):

| Washroom Accessories/Soap Dispensers | Limited Warranty |
|---|---|
| ConturaSeries™ Washroom Accessories Soap Dispensers | 3 years |
| B-306, B-4112, B-4063, B-822 Series, B-826 | 3 years |
| B-830 SureFlo® Soap System Soap Pumps | Lifetime warranty provided Bobrick SureFlo® Soap is used exclusively with this product |

The following Bobrick mirrors are warranted against silver spoilage from the date of purchase for the periods set forth below:

| Mirrors | Limited Warranty |
|-----------------------------|------------------|
| B-290, B-2908, B-292 Series | 15 years |
| B-165, B-1658, B-166 Series | 10 years |

The following Bobrick hand dryers are warranted to be free from defects in workmanship and material under normal usage from the date of purchase for the periods set forth below:

| Hand Dryers | Limited Warranty |
|---|---|
| AirCraft® Dryers B-7507, B-750, B-731 B-7007, B-700 | Motor brushes for 3 years; all other parts for 10 years |
| Eclipse® Dryers B-748, B-740 | Motor brushes for 3 years; all other parts for 10 years |
| B-708 AirGuard™ | Motor brushes for 3 years; all other parts for 10 years |
| B-709 AirPro™ | Motor brushes for 3 years; all other parts for 5 years |
| B-710 Compac™ | 1 year |
| B-705 Cub™ | 1 year |

Koala Kare products are backed by a five-year limited liability warranty to be free of defects in workmanship and material, and a five-year replacement policy against vandalism.

OTHER PRODUCTS:

Bobrick washroom accessories not listed above are warranted to be free from defects in workmanship and material under normal usage service for one year from the date of purchase.

LIMITATIONS ON WARRANTIES:

In all instances, the purchaser's exclusive remedy against Bobrick is for the repair or replacement, at Bobrick's option, of warranted defective products or parts. Bobrick will also bear the cost of the purchaser's return of defective products or parts to Bobrick. Bobrick's warranties set forth above do not cover damage resulting from vandalism. No other remedy (including, but not limited to, damages for field labor charges, lost profits, lost sales, injury to persons or property or any other incidental or consequential losses) is available.

PATENTS:

Bobrick products are protected under one or more of the following Patent Numbers:
Australia: 759452, 755057, 650604, 645627, 308253, 119406, 117107, 116931, 116887, 116057, 116056, 115075; **Austria:** 23857; **Benelux:** 2780200; **Brazil:** DI 5802183-3, DI 5800409-2, DI 5800408-4, DI 5800274-0; **Canada:** 2336013, 2309470, 2229760, 2052959, 1528776, 1296148, 92304, 91501, 85550, 85356, 85191, 84372, 84371, 84370; **China:** 9700489.9, 9700489.7, 9700489.1, 9700487.7, 9700486.5; **Denmark:** 03201997; **Europe:** 494430001; **France:** 916396, 466061/2/3; **Germany:** M9802686.0, M9802677.1, M9610230, M9303824.0, M9207892.3, M9207590.8, M9207589.4, M9106618.2; **Ireland:** D.11545; **Israel:** 142392; **Italy:** 76451, 72540, 67001, 66879, 66877, 64502; **Japan:** 945171, 892856; **Mexico:** 7414271, 232123, 229103, 224638, 223121, 223120, 180535, 176170, 170289, 13915, 11286, 11285, 6833, 6270, 6071, 6021, 5966, 5965; **Norway:** 73788; **Singapore:** 89390, 78210, DU2003/563, DU2003/11/B, DU2003/10/F; **South Korea:** 335/93; **Spain:** 9202381/92060535, 138768/5, 130441/0, 129187/4, 129186/6, 128865, 126641; **Sweden:** 62468; **Switzerland:** 123806, 120159, 119400; **Taiwan:** ND41344; **United Kingdom:** 2264285, 2060946, 2031213, 2026406, 2026390, 2022641, 2022640, 2003959, 2003958, 530419; **United States:** 6502721, 6276027, 6269503, 6131771, 6129245, 6119901, 6032819, 5988451, 5987677, 5927805, 5906015, 5887762, 5871113, 5605265, 5476197, 5470039, 5377908, 5332286, 5261619, 5226625, 5167345, 4971343, 4964544, 4949877, 4908906, 4834404, 2073867, 2073866, D459131, D441139, D438344, D426412, D425253, D420764, D415857, D413419, D401708, D401093, D388578, D387590, D387583, D387229, D386027, D385445, D381818, D376920, D365449, D349649, D342177, D342175, D341724, D340375, D340374, D338361, D334266, D333923, D333410, D332889, D332849, D332679, D332542, D332370, D332369, D332368, D332366, D332365, D332196, D332195, D332194. Other patents pending.





BUILDING VALUE SINCE 1906