

THE NEW XChanger® FOR THE XLERATOR® HAND DRYER



BEFORE

AFTER

DESCRIPTION:

The XChanger Combo Kit allows you to completely retrofit your paper dispenser/waste receptacle with the **XLERATOR** hand dryer. This panel is easily installed over the space left by the former paper dispenser and will not cause damage to the existing wall surface. The **XLERATOR** hand dryer with ADA compliant Recess Kit (4" protrusion) is installed into the XChanger leaving your restroom modern, clean and beneficial to the environment.

The XChanger also comes in an ADA height compliant version. The opening to the unit is lowered 7 inches to allow

the recess kit and XLERATOR hand dryer to be accessible by users in wheelchairs (check local regulation for actual ADA compliance).

CONSTRUCTION:

XChanger is fabricated of 18 gauge 18-8 type 304 stainless steel with #4 satin finish. All welded construction.

Overall Dimensions:

17 1/4" wide x 56" high x 1" deep.

XCHANGER KIT AND ADA RECESS KIT

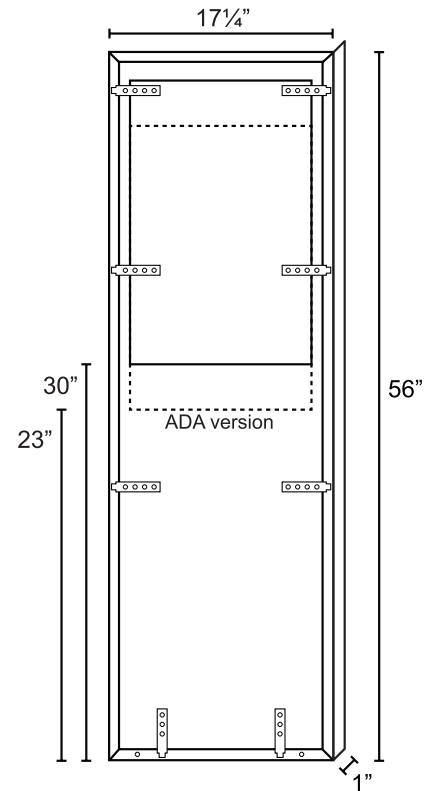
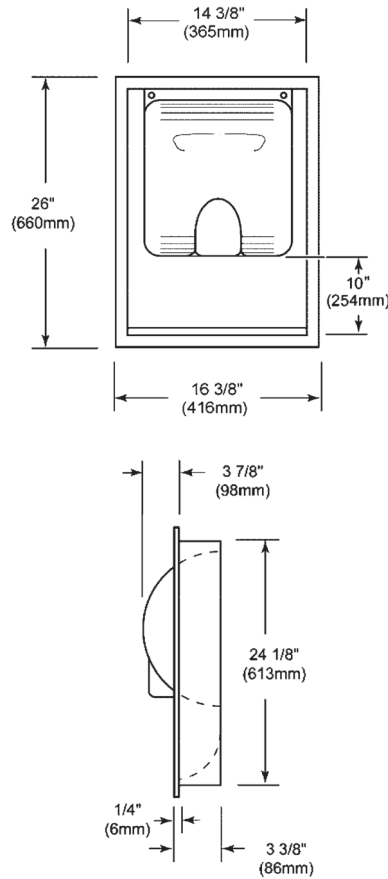
Part ID	Description	List Price
#40575	XChanger Combo Kit: Comes with ADA Recess Kit #40502 and Standard XChanger #40550	\$360
#40576	ADA XChanger Combo Kit: Comes with ADA Recess Kit #40502 and ADA Height XChanger #40551	\$360

**NATIONAL INSTALLATION SERVICES AVAILABLE
CALL FOR DETAILS 800-255-9235**

XLERATOR® HAND DRYER XCHANGER KIT

NOTE

40575 - Combo kit installs with ADA Recess Kit and Standard XChanger #40550
 40576 - Combo kit installs with ADA Recess Kit and ADA Height XChanger #40551



Full Combo Kit Assembly:
 XChanger with ADA Recess Kit
 and shown with **XLERATOR**
 Hand Dryer (not included)

Recess Kit only #40502

XChanger Only
 #40550 Standard
 #40551 ADA

XChanger® SPECIFICATIONS

Weight	17 Lbs. (7.7 kg)
Overall Dimensions	17 ¼" wide x 56" high x 1" deep
Rough Wall Opening	XChanger is installed over the footprint of the most common paper towel dispenser/waste receptacles or approximately 17 ¼" wide x 56" high
Construction	XChanger is fabricated of 18 GA 18-8 type 304 stainless steel with #4 satin finish. All welded construction.
Installation Guide (Consult local ADA codes)	The XChanger is a retrofitable conversion kit which will enable you to update your existing paper towel dispenser and waste receptacle to an XLERATOR hand dryer. Used in conjunction with the Recess Kit, the XChanger is installed over the footprint of the common paper towel dispenser/waste receptacles designed to match their dimensions so there is little or no wall repair required once the XChanger kit is installed.
ADA Height XChanger Kit	The XChanger also comes in an ADA version. The opening to the unit is 7" lower to allow the recess kit and XLERATOR hand dryer to be ADA compliant. Check local regulations for actual ADA compliance rules.



TIME TO THROW IN THE TOWEL

Excel Dryer, Inc. • 357 Chestnut Street • East Longmeadow, MA 01028 U.S.A. • Toll Free: (800) 255-9235
 Tel: (413) 525-4531 • Fax: (413) 525-2853 • sales@exceldryer.com • www.exceldryer.com