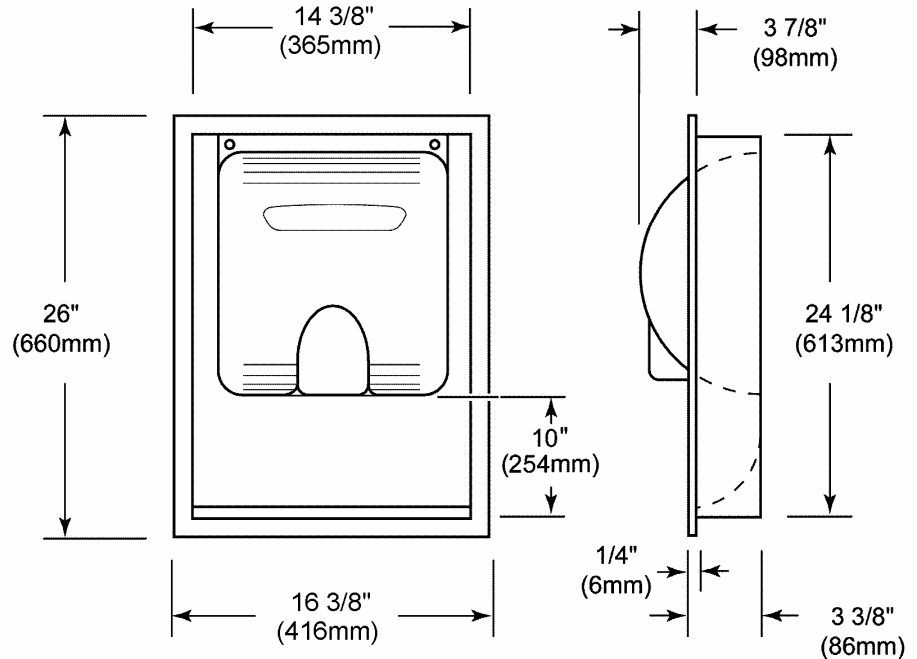


XLERATOR RECESS KIT #40502

***** Meets ADA Protrusion Requirement of 4 inches (102 mm) *****



Specifications

Weight

11 lbs. (4.99 KG)

Overall Dimensions

16 3/8" wide x 26" high x 3 3/8" deep
(416 mm wide x 660 mm high x 86 mm deep)

Rough Wall Opening

14 1/2" wide x 24 3/8" high x 4" deep
(368 mm wide x 619 mm high x 102 mm deep)

Construction

Wall box is fabricated of 22 GA 18-8 type 304 stainless steel with #4 satin finish with 16 GA 18-8 type 304 stainless steel dryer mounting plate. All welded construction.

Installation Guide

(Consult local ADA codes)

When installed, bottom of hand dryer will be 10" (254 mm) above bottom of rough wall opening. Therefore, bottom of rough wall opening should be 10" (254 mm) below suggested mounting height for hand dryer. (See suggested mounting heights above).

**Suggested Mounting Heights
(From floor to bottom of dryer)**

Men's	45" (114 cm)
Ladies'	43" (109 cm)
Teenagers'	41" (104 cm)
Children	35" (89 cm)
Handicapped	37" (94 cm)