



WORLD LEADER IN FLEXIBLE SPACE MANAGEMENT

# GLASSWALL

Movable Glass Partitions



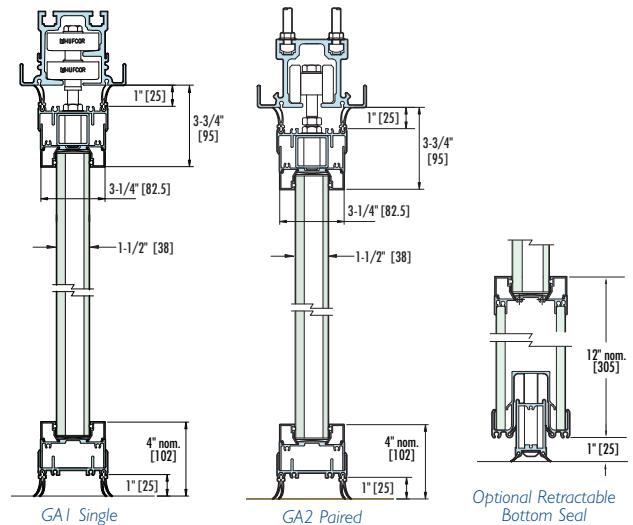
**Our movable glass partitions** allow natural light

to flood an interior space while providing space flexibility. And, with your choice of clear tempered, full satiny translucent, etched or custom glass, the glasswalls can become the signature design element of your rooms. Satisfied customers are using glass partitions to close off store fronts, bank lobbies, library training centers and to create meeting rooms. Frameless, timber-framed and acoustic glasswalls are suspended from an overhead aluminum track that eliminates floor tracks which can collect debris and pose a safety risk. Frameless and timber-framed models have footbolts that extend into floor receptacles to stabilize the panels.

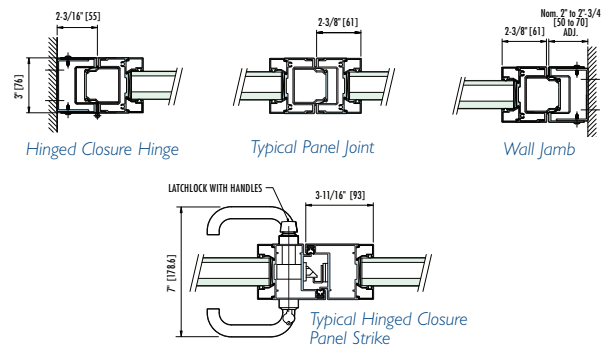


**Acoustic GLASSWALL** partitions maintain the aesthetic appeal of glass while providing acoustic separation to 44 STC. Acoustic glasswalls are available as single and paired panels only. They consist of glass surrounded with an aluminum frame that is a nominal 3-1/4" thick. Each panel has top and bottom sweep seals. Optional 1-1/2" clearance retractable bottom seal that exerts downward force is available. The aluminum frame finish is clear anodized aluminum. Black or bronze anodizing, Lamb's Wool powder coating, or custom colors are available for an upcharge.

**VERTICAL SECTIONS**



**HORIZONTAL SECTIONS**



Glasswall uses are limited only by your **imagination.**



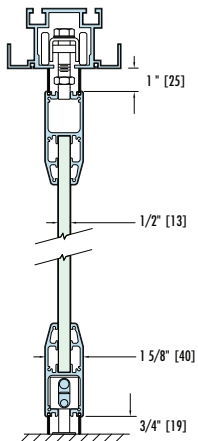


**Frameless GLASSWALL** consists of glass panels mechanically fastened to horizontal top and bottom rails. The glass has polished edges and no vertical trim – although vertical trim is an available option. Panels may be ordered as single or paired panels. Single (or omni-directional) panels can be used in alternate locations or stacked in a remote location. Paired panels are a good choice when the partition goes from wall-to-wall. Pivot panels allow access between rooms. Optional in-line pass doors are available on single (omni) models. The standard horizontal rails are of clear anodized aluminum but may be custom finished. Panels are shipped fully assembled.

**NOTE:** There will be a gap of 1/4"-1/2" between the glass panels when they are in place to prevent glass-to-glass contact. The gap varies due to glass industry tolerances.

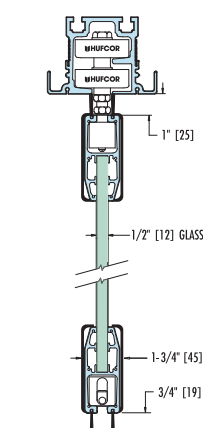
**VERTICAL SECTIONS**

GL2 Paired Panel



Shown with Standard Horizontal Rail

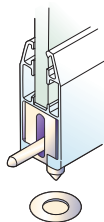
GL1 Individual Panel



Shown with Stainless Steel Clad Rail

**FRAMELESS FEATURES**

In-Line Pass Door

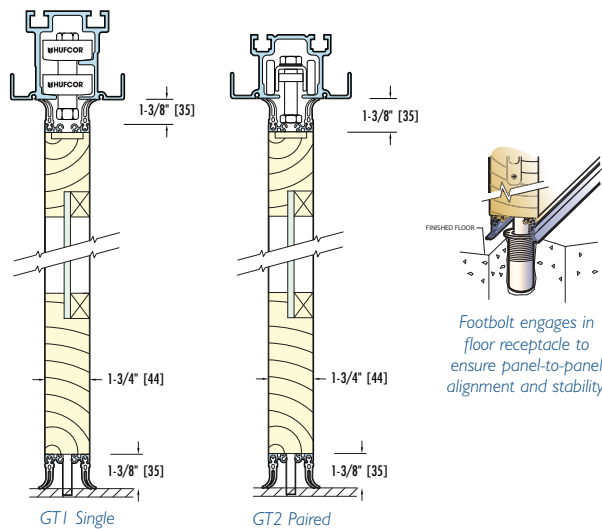


All panels are supplied with concealed foot bolts and interlocking mechanisms. Footbolt engages in floor receptacle to ensure panel-to-panel alignment and stability.

**Timber-framed GLASSWALL**

consists of glass surrounded with a combination of solid and engineered wood. Each wood frame is composed of triple laminated solid wood top and bottom rails and stiles that are constructed from custom made veneers, solid wood edges and an engineered wood core, to ensure a sturdy, durable construction. Choose wood frames made of oak, maple, cherry, or Douglas fir. Frames may also be customized. The wood is stained and finished with a matte coat of polyurethane. The stain color is selected from Hufcor's standard color selector. Panels may be ordered as single or paired panels. Single (or omni-directional) panels may be used in alternate locations or stacked in a remote location. Paired panels are a good choice when the partition goes from wall-to-wall. Pivot panels allow access between rooms. Optional in-line pass doors are available on single (omni) models. Panels are shipped fully assembled.

**VERTICAL SECTIONS**



GT1 Single

GT2 Paired



clearly visionary



## Glasswall Product Selector

MODEL	CONFIG.	SERIES #	TOP SEALS		FLOOR SEALS		VERT. TRIM	MAX. <sup>1</sup> HEIGHTS	MAX. OPENING WIDTH	STC <sup>2</sup> ACOUS. RATINGS
			FIXED	RETRACT	RETRACT	FIXED				
Frameless	Paired	GL2	std	n/a	n/a	std	opt	10'5" [3.2m]	Unlimited	n/a
Frameless	Single	GL1	std	n/a	n/a	std	opt	10'5" [3.2m]	Unlimited	n/a
Timber-Framed	Paired	GT2	std	n/a	n/a	std	n/a	10'2" [3.0m]	Unlimited	n/a
Timber-Framed	Single	GT1	std	n/a	n/a	std	n/a	10'2" [3.0m]	Unlimited	n/a
Acoustically Rated	Paired	GA2	std	n/a	opt	std	std	12'2" [3.7m]	Unlimited	44
Acoustically Rated	Single	GA1	std	n/a	opt	std	std	12'2" [3.7m]	Unlimited	44

<sup>1</sup> Heights shown are standard. Contact your local Hufcor distributor for custom sizes. <sup>2</sup> n/a = not available **Note:** Metric dimensions are in [ ]



World Leader in Flexible Space Management™

### WORLDWIDE HEADQUARTERS

PO Box 591 / 2101 Kennedy Road, Janesville, WI 53547  
Toll-Free: 800-542-2371, ext. 214 Telephone: 608-756-1241  
Fax: 608-758-8253 E-mail: info@hufcor.com  
Web: [www.hufcor.com](http://www.hufcor.com)

### ADDITIONAL U.S. MANUFACTURING FACILITIES

#### Hufcor Airwall® Inc.

PO Box 1149 / 8739 E. Artesia Blvd., Bellflower, CA 90706  
Telephone: 562-634-3116 Fax: 562-630-8203  
E-mail: admin@hufcorairwall.com

[WWW.HUFCOR.COM](http://WWW.HUFCOR.COM) Visit Hufcor's website for our latest product innovations. The site also includes CAD details and specifications that can be downloaded and an extensive photo album.

**WORLDWIDE DISTRIBUTION** Hufcor products are available from local distributors throughout the world. Visit our website for the name of your nearest representative.



### IT'S ALL IN THE BOOK

More details on all Hufcor products are available in the Architectural Product Manual. Call your local rep today to receive a complimentary copy.

see us at  
**Sweets.com**

The quality systems of Hufcor's U.S. manufacturing facilities are registered to the ISO 9001 standards. Hufcor has a program of continuous product improvement. As a result, some products may be modified from those represented in this catalog.

#### Hufcor Partition U.S. Patents:

2,861,660	3,056,193	3,223,147	3,295,257
3,295,588	3,450,185	3,638,376	3,755,968
3,783,930	3,879,799	3,042,960	4,014,137
5,181,296	5,230,123	5,406,676	5,481,834
5,564,759	6,112,466	6,167,937	



\*USGBC and related logo is a trademark owned by the U.S. Green Building Council and is used by permission.



Hufcor offers continuing education programs for AIA members. Contact your Hufcor representative for details.