



Imperial Fastener Company

Cubicle Curtains / Cubicle & IV Tracks



quick ship

When you're looking for the best, look to Imperial...for Proven Performance!

imperialfastener.com



Cubicle Curtains



Fabrics for all Tastes and Budgets

From concept through all stages of budgeting, ordering, and delivery, Imperial serves as your partner in design and execution. We offer quality workmanship at competitive prices, and the largest selection of fabrics, colors, patterns, and textures.

Imperial manufactures custom made cubicle curtains fabricated of the finest flame resistant fabrics available. In addition to our own quality cubicle curtain fabrics, we offer curtains made with fabrics manufactured by . . . ARC-COM, Architex, Carnegie, Coral, Design Tex, Interspec, Knoll, Maharam, Momentum and others! These fabrics are all specifically designed for cubicle curtains and give you the design flexibility you want along with the technical specifications you need. In addition to our designer line, Imperial inventories large quantities

of a number of inexpensive 100% polyester cubicle fabrics that are always in stock for projects requiring immediate delivery.

Each curtain is meticulously tailored and delivered ready to hang, on time, and within budget. Imperial also manufactures its own line of cubicle track and accessories for all your cubicle curtain needs!



**Call, click or visit us online at
imperialfastener.com**

**See our entire Color and Pattern Palette
View By Pattern Type, Cost, Most Popular and Quick Ship**

**See complete Fabric and Mesh specs
along with detailed fabrication information**



Cubicle Track

Visit imperialfastener.com
For Complete Details

IFC-98 Cubicle track with IFC-100 roller carrier (shown) or the IFC-600 spool type carrier is designed to be surface mounted, suspended or recessed. Section size is 1- 3/8" x 3/4" x .058 wall thickness. Extruded of 6063-T5 aluminum alloy. Track has 204-R1 satin anodized finish or a white acrylic electrostatic paint. Tracks are custom fabricated to shape and size in one continuous piece, wherever possible. All radii are 12".



ALSO
AVAILABLE
IN WHITE!

IFC-100 Carriers have virgin nylon axles and bodies, steel bead chains and hard aluminum hook. End stops and removable snap-outs furnished with all tracks.



IFC-69 Ceiling Mounted is for use with Imperial's "hook and loop" "Break-A-Way" curtain system. Section size 1-7/16" x 9/16" x .062". 6063-T5 aluminum. Finish is 204-R1 satin anodized. Tracks can be fabricated to size and shape with 12" radii bends up to 18' total length. Since Imperial "safety tabs" are used, system is completely silent, no carriers to be lost or broken. See "Break-A-Way" curtain literature for "hook and loop" information.

IV Track

Track IFC-1000:

Extruded of 6063-T5 aluminum alloy, 1-9/16" x 15/16" with a .075 minimum wall thickness. Maximum length is 22' without splicing. Most oval shape tracks can be supplied with just one splice. Two finishes are available, either a 204-R1 satin anodized or a white acrylic electrostatic paint.

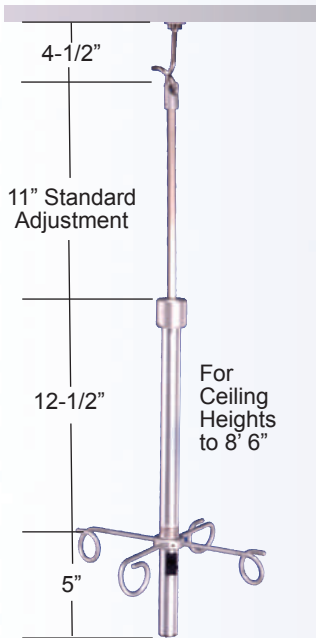


ALSO
AVAILABLE
IN WHITE!

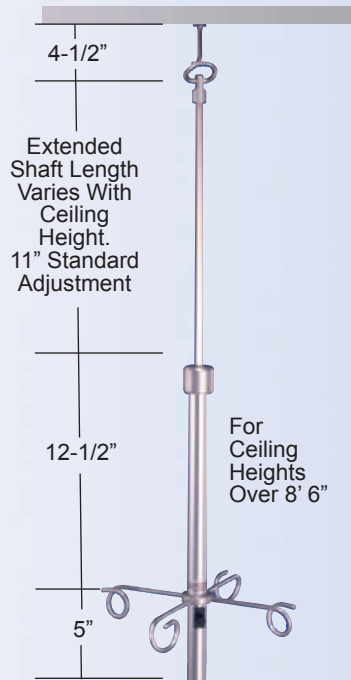
Carrier IFC-1007:

Four wheel, 11/16" diameter molded delrin wheel mounted on solid PVC block with 1018 steel axles and tru-arc ring of 303 stainless steel, electro-polished with integrated locking ring of 1/8" x 1-1/4" diameter delrin. One 360 degree counterclockwise turn to locked position.

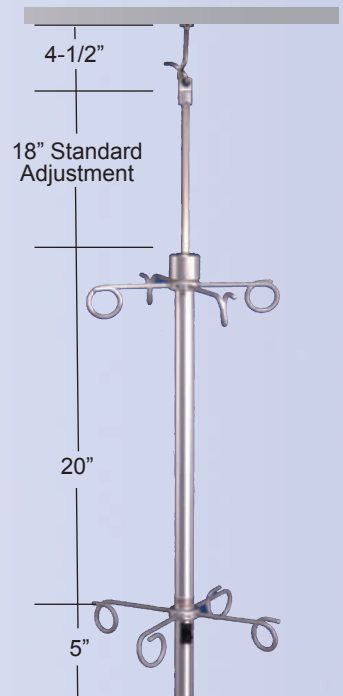
IFC-3000 For Ceiling heights to 8' 6"



IFC-3001 For Ceiling heights over 8' 6"



IFC-3008 18" Standard Adjustment



Break-A-Way

Curtain and Window Covering Systems

Make the Break from Traditional Hooks and Pins. Choose the Safe, Easy-To-Use Alternative... Imperial's "Break-A-Way" Curtain Hanging System.

Ceiling Mounted Curtain



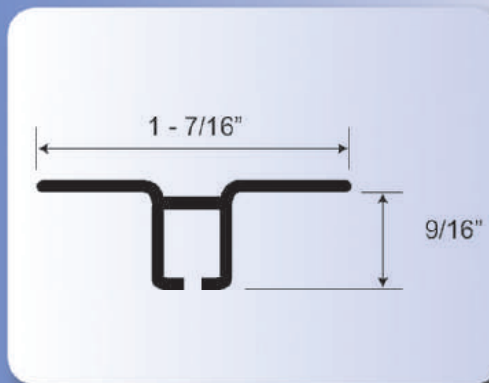
IFC-69 Break-A-Way Track and a cubicle or shower curtain, shown above, is an excellent choice for "sensitive" areas of Psychiatric, Pediatric or Correctional facilities where patients are not constantly supervised. The cubicle curtains are machine launderable and easy to rehang. The Sure Chek shower curtain, above, is self-sanitizing and never needs laundering.

Wall Mounted Drapery



IFC-79 Break-A-Way Track and a lined box pleat window drapery. This system provides an attractive window covering while being a safe drapery, since no continuous cords or tapes are required. The lack of drapery pins or hooks, allows for machine laundering and easy rehunging of drapery.

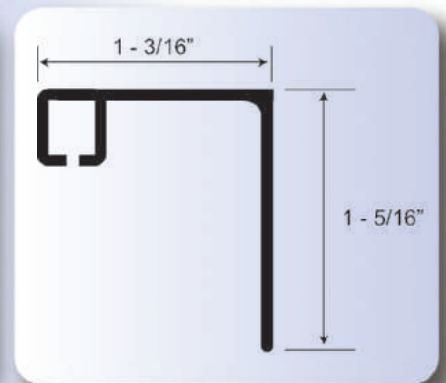
Break-A-Way Tracks



IFC-69 Break-A-Way Ceiling Mounted Track

Section Size:

1 7/16" x 1 9/16" x .062 wall thickness; extruded of 6063-T5 aluminum alloy: Finish is 204-R1 satin anodized. Tracks can be custom fabricated to size and shape with 12" radii bends up to 18' total length.



IFC-79 Break-A-Way Track Wall Mounted Track

Section Size:

1 3/16" x 1 5/16" x .062 wall thickness; extruded of 6063-T5 aluminum alloy: Finish is 204-R1 satin anodized. Tab insertion aperture is milled into top of the track.

Look to Imperial for Quality and Proven Performance



Imperial Fastener Company, Inc.

1400 S.W. 8th Street
Pompano Beach, Florida 33069
Phone: 954.782.7130
Fax: 954.782.0089

info@imperialfastener.com

Visit

imperialfastener.com

For Complete Fabric and Track Specifications, Installation Details and More...