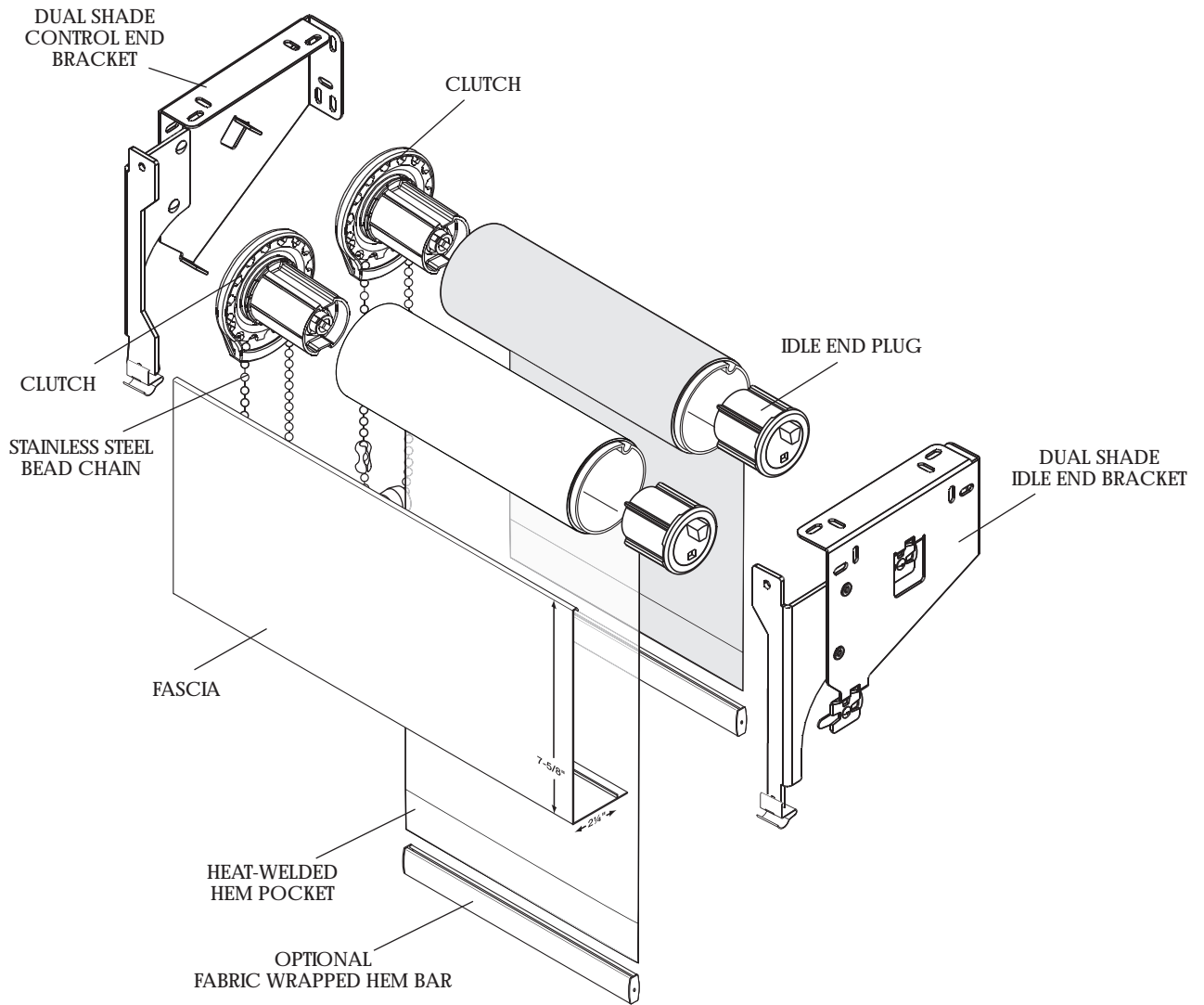


Data Sheet DUAL SHADE SYSTEM WITH FASCIA



- Each shade is controlled by it's own clutch system and bead chain. Available with both R16 or R24 clutches.
- Roller tube is extruded aluminum engineered with a channel to accept fabric spline making the shade panel easy to remove.
- Hem bar is extruded aluminum and completely enclosed in a heat-welded hem pocket. Optional fabric wrapped hem bar.
- Fascia measures 7.625" high with a 2.25" bottom lip and snaps onto fascia bracket with a positive spring fit. Available in white, vanilla, clear anodized, bronze or black.
- Optional lift assist reduces pull force allowing easy lifting of larger shades.